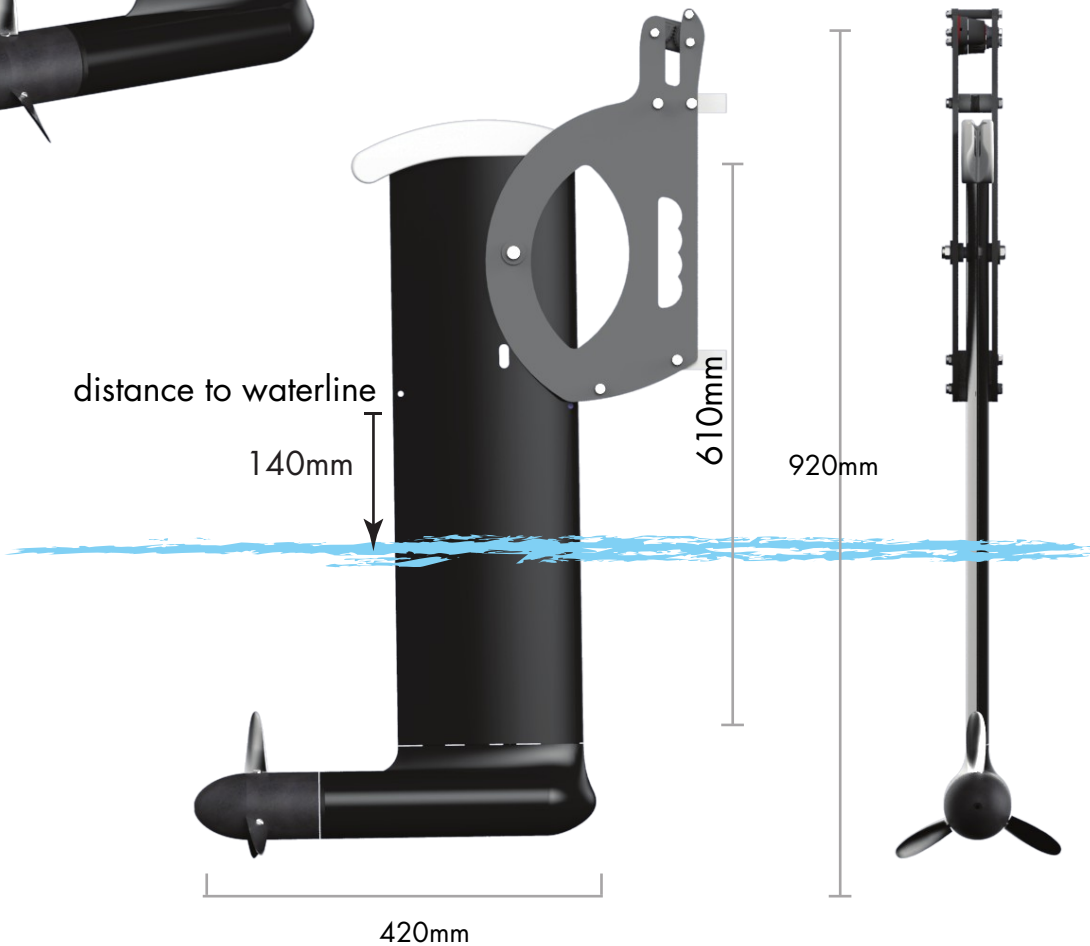


TECHNICAL CHARACTERISTICS :

Rated Output :	<b>600W</b>
Architecture :	brushless alternator
Output voltage :	3-phases 40V max
Weight :	<b>8,2kg</b>
Warranty :	<b>2 years</b>



RACING **600W**  
**610mm**



DATE:	NOVEMBER 2013
TITRE:	RACING Hydrogenerator 600W-610mm

**watt&sea**  
L'AUTONOMY THANKS TO RENEWABLE ENERGY BLES

15 rue de la Brigantine - 17000 La Rochelle - FRANCE  
tél +33(0)5 46 41 31 99 - contact@wattandsea.com - www.wattandsea.com  
SARL au capital de 231 400€ - Siret : 514 026 467 00019 - NAF : 7112B