

CORTEX H1P PORTABLE HANDSET

CORTEX-H1P

DESCRIPTION

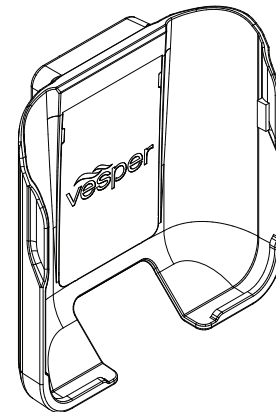
For the ultimate safety, add a battery powered rechargeable handset to your Cortex. Have situational awareness and VHF communication at your fingertips, no matter where you are on your boat.

The H1P Portable Handset is compatible with Cortex M1 and Cortex V1, offering wireless freedom anywhere on board.

- Rechargeable, portable battery powered handset for connection to Cortex M1
- 4-inch multi-touch display with gorilla glass for maximum durability
- Single hand operation with unique click wheel and dedicated buttons
- Wet and gloves capable touchscreen
- Works with polarised sunglasses
- Optically bonded display for wide-angle and sunlight visibility, even in the harshest midday sun.
- 85 dBA of crystal-clear audio
- Combined AIS and VHF display with voiced alerts
- Touch a vessel onscreen for direct calling (DSC)
- Connect up to 10 handsets to the Cortex Hub



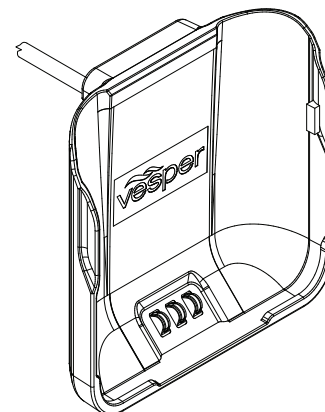
CORTEX H1P PORTABLE HANDSET	
PRODUCT CODE	CORTEX-H1P
UPC	0735850824765
DESCRIPTION	Cortex H1P Portable Rechargeable Handset
INCLUDED	H1P Portable Rechargeable Handset, Charging H1P Cradle, Non Powered H1 Cradle
PACKAGING	213 x 98 x 58 mm (8 3/8" x 3 7/8" x 2 5/16") 0.34 kg (0.75 lb)



NON-POWERED H1 CRADLE

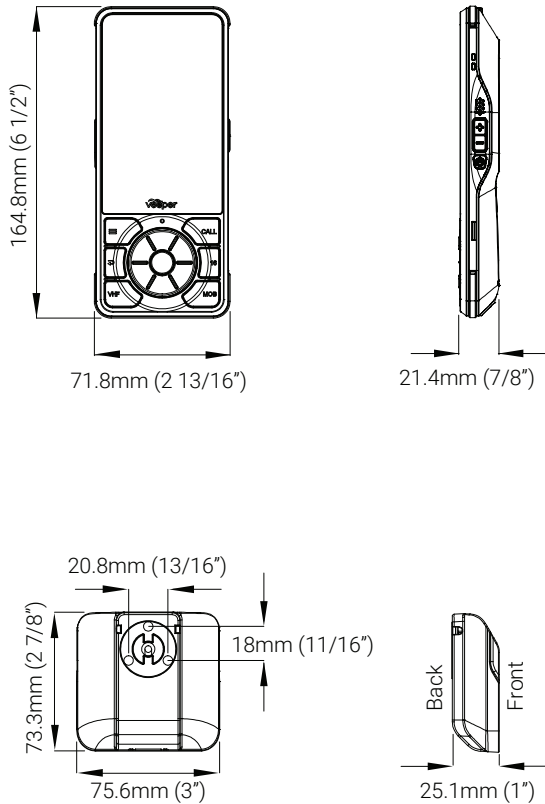
INCLUDED

ACCESSORY CODE	DESCRIPTION
CRDL-H1	NON-POWERED H1 CRADLE
CRDL-H1P	CHARGING H1P CRADLE (POWERED)



CHARGING H1P CRADLE (POWERED)

DIMENSIONS



KNOW YOUR HANDSET



- 1 DSC distress call button
- 2 2W high fidelity loud speaker
- 3 Side volume buttons
- 4 Power On button
- 5 DSC Call shortcut
- 6 Channel 16 shortcut button
- 7 MOB waypoint activation
- 8 Click-wheel rotary controller
- 9 Microphone
- 10 VHF screen shortcut button
- 11 Return button
- 12 Menu button
- 13 Push to talk button
- 14 4-inch touch screen
- 15 Protective rubber overmould

SPECIFICATIONS

CORTEX H1P HANDSET	
GENERAL SPECIFICATIONS	
HANDSET SIZE	164.8 x 71.8 x 21.4mm (6 1/2" x 2 13/16" x 7/8")
POWER SUPPLY	12V, 1A max, 200mA nom 12-24V compatible
BATTERY	Lithium Polymer 2 hour full charge, >12 hours nominal operation
WEIGHT	H1P 235g (0.52lb)
ENVIRONMENTAL	Waterproof (IPx7)
OPERATING TEMPERATURE	-20°C to +55°C (-13°F to +131°F)
AUDIO	2W, THD < 5% @ 85dBA
CABLE LENGTH	300mm (CRDL-H1P)

DISPLAY	
SCREEN	LCD TFT Si, 640 x 800, 24bit Colour, Polarised Compatibility
TOUCH	Capacitive, optically bonded, LCD, glove and salt water operable
BACKLIGHT	600 cd/m2, Ambient Light sensor for auto dimming

All stated specifications are subject to change without notice or obligation. Dimensional measurements based on metric.