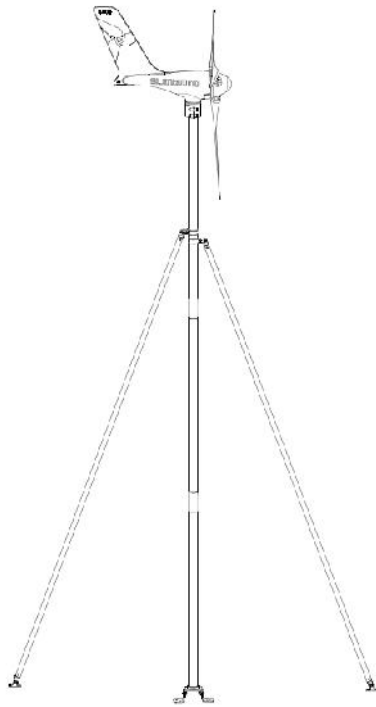




Stackable mast

OWNER'S MANUAL



Congratulations on your purchase of your new mast!

This mast, consisting of plugged elements is suited for the assembly of wind generators, radar units, satellite-antennas or other mast-mounted devices. This mast is suitable for sea- and land use. The mast consists of 3 tubes, stuck together by a flange on the end of each tube.

Technical data:

- Material: polished stainless steel
- Length of the tubes: 3 x 1m
- Total height: 2,8m
- External diameter: 48,1mm (1½“)
- Wall thickness: 1,5mm
- Plug-in length: 100mm

Security instructions

- In order to guarantee an adequate resistance and stability, the mast segments have to be completely plugged-in.
- The mast has to be installed with an appropriate mast mounting kit including stays.

*A suitable mast mounting kit is also available from **SILENTWIND**.*

Before mounting the mast please read the assembly instructions carefully!

Assembly Instructions

- Plug in the tubes up to the limit of each flange according to picture 1 and 2.
- The height of the mast can be adapted by shortening the upper part and / or the lower part.
Caution: Do never cut the middle part.
- Assemble the mast with our appropriate mast mounting kit.
- While mounting the mast follow carefully the assembly instructions.
- Assemble your technical device according to the user manual.

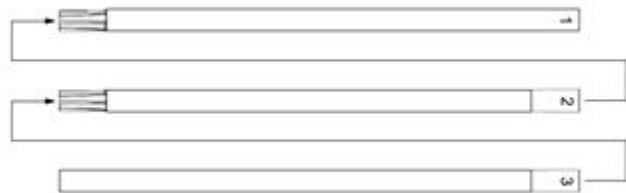


figure 1

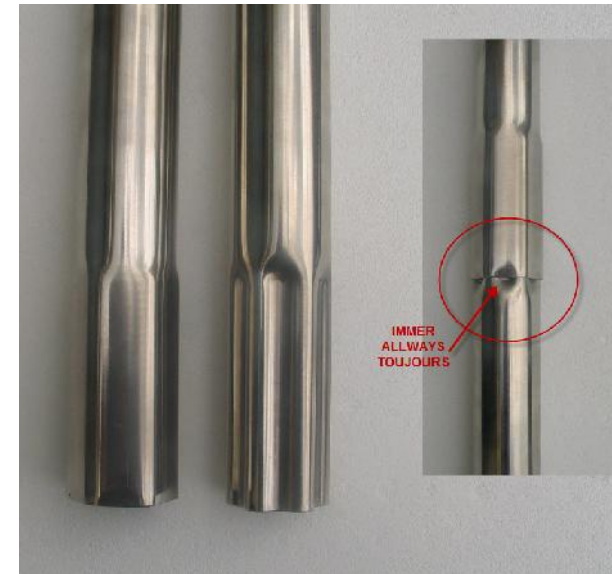


figure 2

Maintenance

Check periodically that the tubes are completely plugged in, the stable standing of the mast and that all screws are tightened.

We hope you have fun during the assembly

NOTES



Rulis Electrica, Lda.
Loteamento Industrial de Linhares, Lote 19
PT-4805-486 Santo Estevão de Briteiros / Guimarães
Portugal

VAT/Contribuinte / EORI-N. PT 502 995 530
Tel. 00351-253-572763

Fax 00351-253-572764
Tm/Handy 00351 96 790 79 33

e-mail: info@silentwindgenerator.com

site: www.silentwindgenerator.com