



RNS-8

8 PORT RAYNET NETWORK SWITCH

The RNS-8 network switch is a premium network switch for integrated Raymarine chartplotter systems. Use the RNS-8 to integrate Axiom displays with radars, sonar modules, and FLIR thermal cameras. The RNS-8 features 4 dedicated Power-Over-Ethernet (POE) ports for integrating and powering POE-compatible devices like CAM300 marine IP cameras and RMK-10 remote keypads. The RNS-8 also supports networking with Raymarine YachtSense digital control systems and the YachtSense Link marine mobile router. Multiple RNS-8 switches can be daisy-chained together for larger systems. The RNS-8 is simple to install and requires no complicated setup.

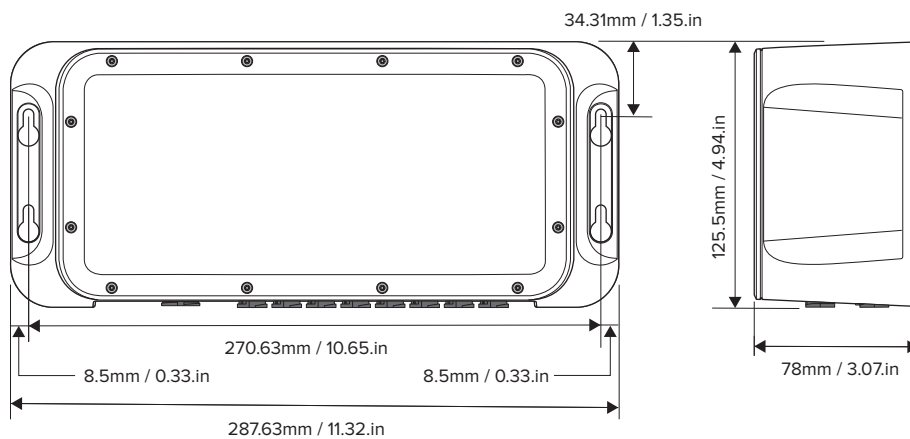
RNS-8 KEY FEATURES

- 8 RayNet Ethernet gigabit ports for fast and reliable connectivity
- 4 dedicated Power-Over-Ethernet (POE) ports for powering cameras and remotes
- Rugged IPX6/IPX7 construction
- Reliable, waterproof RayNet connector Ethernet cable ports
- Designed for simple bulkhead mounting
- LED power and network port status indicators
- Unmanaged- simply plug and play with Raymarine devices.
- Remote diagnostics and performance monitoring via web browser
- For extended networks, up to 8 RNS-8 switches can be daisy-chained together



RNS-8 SPECIFICATIONS

POWER SPECIFICATION	
Nominal supply voltage:	12 or 24 V dc
Operating voltage range:	9 to 32 V dc
Power Consumption	160 W (Maximum) @ 12 V dc
Connectivity	3-pin male connector common with RNS-5 (1.5m power cable included)
ENVIRONMENTAL SPECIFICATION	
Operating temperature range:	-25°C (-13°F) to + 55°C (131°F)
Storage temperature range:	-30°C (-22°F) to + 70°C (158°F)
Humidity:	up to 93% @ 40°C (104°F)
Water ingress protection:	IPx6 and IPX7
PHYSICAL SPECIFICATION	
Dimensions (l x h x d):	Length: 287.63 mm (11.32 in). Height: 125.5 mm (4.94 in). Depth: 78 mm (3.07 in).
Weight:	0.96 Kg (2.12 lbs)
NETWORKING	
Protocols	RayNet Ethernet. Legacy SeaTalkHS using an adaptor cable
Connection Speed	1 Gigabit
Number of Ports	8 x10 pin RayNet Connector'
POE (Power over Ethernet)	Yes. 4 POE ports support (lower, red nuts) PoE Classes 0 to 4, with 30 W maximum power available for each port
Standards	EN 60945:2002 (Europe, Australia New Zealand) ICES-003 (Canada) CFR47 Part 15 (USA) IACS section E10 (Japan / China)
Product Markings	UKCA UKCA CE Australian Tick WEEE Directive
ORDERING INFORMATION	
Ordering Information	A80732



For further information go to our website
www.raymarine.com

23-0578-MAR 06 / 2023

Raymarine

RAYMARINE.COM