



AXIOM™ 2 PRO

MFD / CHARTPLOTTER

INSTALLATION INSTRUCTIONS

English (en-US)
Date: 01-2023
Document number: 87443 (Rev 2)
© 2023 Raymarine UK Limited

Raymarine®

Legal notices

Trademark and patents notice

Raymarine, Tacktick, Clear Pulse, Truzoom, SeaTalk, SeaTalk^{hs}, SeaTalkng, and **Micronet**, are registered or claimed trademarks of Raymarine Belgium.

FLIR, YachtSense, DockSense, LightHouse, RangeFusion, DownVision, SideVision, RealVision, HyperVision, Dragonfly, Element, Quantum, Axiom, Instalert, Infrared Everywhere, The World's Sixth Sense and **ClearCruise** are registered or claimed trademarks of FLIR Systems, Inc.

All other trademarks, trade names, or company names referenced herein are used for identification only and are the property of their respective owners.

This product is protected by patents, design patents, patents pending, or design patents pending.

Fair Use Statement

You may print no more than three copies of this manual for your own use. You may not make any further copies or distribute or use the manual in any other way including without limitation exploiting the manual commercially or giving or selling copies to third parties.

CONTENTS

CHAPTER 1 IMPORTANT INFORMATION	10		
Safety warnings	10		
Product warnings	10		
Regulatory notices	10		
Regulatory e-Label	10		
Declaration of Conformity	10		
RF exposure	11		
Compliance Statement (Part 15.19)	11		
FCC Interference Statement (Part 15.105 (b))	11		
Innovation, Science and Economic Development Canada (ISED).....	11		
Innovation, Sciences et Développement économique Canada (Français)	11		
Disclaimer	11		
Electronic chart data.....	11		
Warranty registration.....	12		
Product disposal	12		
IMO and SOLAS	12		
Technical accuracy	12		
Publication copyright.....	12		
CHAPTER 2 DOCUMENT INFORMATION	13		
2.1 Applicable products	14		
2.2 Document information	14		
2.3 Document conventions.....	14		
2.4 Document illustrations.....	14		
2.5 Product documentation	14		
User manuals Print Shop	15		
2.6 LightHouse™ 4 operation instructions	15		
Multifunction display software version.....	15		
CHAPTER 3 PRODUCT AND SYSTEM OVERVIEW	16		
3.1 Product overview	17		
3.2 Typical systems.....	18		
CHAPTER 4 COMPATIBLE TRANSDUCERS	20		
4.1 Axiom® 2 Pro RVM variant — compatible transducers	21		
RealVision™ Max 3D transducers.....	21		
RealVision™ 3D transducers.....	21		
SideVision™ transducers	22		
DownVision™ transducers.....	23		
CPT-S conical beam transducers	23		
CHIRP transducers	23		
Traditional transducers.....	25		
4.2 Axiom 2 Pro S variant - compatible transducers	26		
CPT-S conical beam transducers	27		
CHAPTER 5 PARTS SUPPLIED	28		
5.1 Parts supplied - Axiom 2 Pro 9 / 12	29		
5.2 Parts supplied - Axiom 2 Pro 16.....	30		

CHAPTER 6 PRODUCT DIMENSIONS	31		
6.1 Axiom 2 Pro dimensions	32		
CHAPTER 7 LOCATION REQUIREMENTS	33		
7.1 Warnings and cautions.....	34		
7.2 General location requirements	34		
Rear access requirements	34		
7.3 GNSS (GPS) location requirements	34		
7.4 Touchscreen location requirements.....	36		
7.5 Wireless location requirements for optimum performance	36		
7.6 Viewing angle considerations.....	37		
7.7 EMC installation guidelines.....	37		
RF interference	38		
Compass safe distance	38		
CHAPTER 8 INSTALLATION	39		
8.1 Replacing the lower keypad.....	40		
8.2 Mounting options	40		
8.3 Trunnion mounting — Axiom® 2 Pro 9 and Axiom® 2 Pro 12	41		
Tools required (trunnion mount installations)	41		
Trunnion bracket mounting	41		
8.4 Trunnion mounting — Axiom® 2 Pro 16	42		
Tools required (trunnion mount installations)	42		
Display trunnion mounting preparation	42		
Trunnion bracket mounting	43		
8.5 Flush mounting	44		
Tools required (flush mount installations)	44		
Rear access requirements	44		
Preparing the mounting surface — flush mounting	44		
Flush mounting	45		
8.6 Surface mounting.....	46		
Tools required (surface mount installa- tions).....	46		
Rear access requirements	47		
Preparing the mounting surface — surface mounting	47		
Surface mounting	48		
CHAPTER 9 CABLES AND CONNECTIONS — GENERAL INFORMATION	49		
9.1 General cabling guidance	50		
Cable types and length	50		
Cable routing.....	50		
Strain relief	50		
Circuit isolation	50		
Cable shielding.....	50		
9.2 Connections overview — RVM variant displays.....	51		
9.3 Connections overview — S variant displays.....	51		
9.4 Connecting cables.....	52		
9.5 Bare end wire connections	52		

CHAPTER 10 POWER CONNECTIONS	53	CHAPTER 16 USB CONNECTIONS	72
10.1 Power connection	54	16.1 Accessory connection	73
Inline fuse and thermal breaker ratings.....	54	CHAPTER 17 GPS ANTENNA CONNECTION	74
10.2 Power distribution	54	17.1 GNSS (GPS) antenna connection.....	75
10.3 Grounding — optional grounding point	57	CHAPTER 18 MAINTAINING YOUR DISPLAY	76
CHAPTER 11 NETWORK CONNECTIONS	58	18.1 Service and maintenance.....	77
11.1 NMEA 2000 / SeaTalkng connection.....	59	Routine equipment checks	77
11.2 NMEA 0183 connection.....	59	18.2 Product cleaning	77
11.3 Network connection	60	Cleaning the display case	77
Cable suppression ferrites.....	61	Cleaning the display screen.....	77
CHAPTER 12 TRANSDUCER CONNECTIONS - AXIOM		Cleaning the sun cover	77
2 PRO RVM	62	CHAPTER 19 TROUBLESHOOTING	78
12.1 RealVision transducer connection.....	63	19.1 Troubleshooting	79
RealVision transducer extension cables	63	19.2 Power up troubleshooting.....	79
12.2 SideVision, DownVision and CPT-S transducer		Performing a power on reset on an Axiom®	
connection.....	64	Pro display	80
12.3 CHIRP transducer connection	64	19.3 GNSS (GPS) troubleshooting.....	80
12.4 Traditional transducer connection.....	65	19.4 Sonar troubleshooting	81
CHAPTER 13 TRANSDUCER CONNECTIONS - AXIOM		19.5 Wi-Fi troubleshooting.....	83
2 PRO S	66	19.6 Touchscreen troubleshooting	86
13.1 CPT-S transducer connection.....	67	19.7 Miscellaneous troubleshooting	86
CHAPTER 14 VIDEO CONNECTIONS	68	CHAPTER 20 TECHNICAL SUPPORT	88
14.1 Analog video connection.....	69	20.1 Raymarine product support and servicing	89
14.2 HDMI Out connection	69	Viewing product information.....	90
CHAPTER 15 AUDIO CONNECTIONS	70	Remote Support via AnyDesk.....	90
15.1 Audio (RCA) connections.....	71	20.2 Learning resources	90

CHAPTER 21 AXIOM 2 PRO 9 TECHNICAL SPECIFICATION 92

21.1 Power specification.....	93
21.2 Environmental specification	93
21.3 LCD specification	93
21.4 Physical specification	93
21.5 Internal GNSS (GPS) receiver specification	94
21.6 Connections specification	94
21.7 RVM variant sonar specification.....	95
Sonar channels	95
Sonar range	95
Traditional sonar range	95
21.8 S variant sonar specification	95
21.9 Conformance/approvals	95
21.10 Product markings	96

CHAPTER 22 AXIOM 2 PRO 12 TECHNICAL SPECIFICATION 97

22.1 Power specification.....	98
22.2 Environmental specification	98
22.3 LCD specification	98
22.4 Physical specification	98
22.5 Connections specification.....	99
22.6 Internal GNSS (GPS) receiver specification.....	99
22.7 RVM variant sonar specification.....	100
Sonar channels	100
Sonar range	100
Traditional sonar range	100
22.8 S variant sonar specification	100

22.9 Conformance/approvals	100
22.10 Product markings	101

CHAPTER 23 AXIOM 2 PRO 16 TECHNICAL SPECIFICATION 102

23.1 Power specification.....	103
23.2 Environmental specification.....	103
23.3 LCD specification	103
23.4 Physical specification	103
23.5 Connections specification	104
23.6 Internal GNSS (GPS) receiver specifica- tion.....	104
23.7 RVM variant sonar specification.....	105
Sonar channels.....	105
Sonar range	105
Traditional sonar range	105
23.8 S variant sonar specification.....	105
23.9 Conformance/approvals.....	105
23.10 Product markings	106

CHAPTER 24 SPARES AND ACCESSORIES107

24.1 Compatible transducers.....	108
24.2 Spares	108
24.3 Accessories.....	108
Transducer cables.....	108
Legacy adaptor plates	109
24.4 RayNet to RayNet cables and connectors	110
24.5 RayNet to RJ45, and RJ45 (SeaTalkhs) adapter cables	111
24.6 SeaTalkng [®] cables and accessories.....	113

APPENDIX A REPLACING THE NAME PLAQUE	117
APPENDIX B REPLACING THE CARD READER DOOR	118
APPENDIX C NMEA 0183 SENTENCES.....	119
APPENDIX D NMEA 2000 PGNS.....	119

CHAPTER 1: IMPORTANT INFORMATION

Safety warnings



Warning: Product installation and operation

- This product must be installed and operated in accordance with the instructions provided. Failure to do so could result in personal injury, damage to your vessel and/or poor product performance.
- Raymarine highly recommends certified installation by a Raymarine approved installer. A certified installation qualifies for enhanced product warranty benefits. Register your warranty on the Raymarine website: www.raymarine.com/warranty



Warning: High voltage

This product contains high voltage. Adjustments require specialized service procedures and tools only available to qualified service technicians. There are no user serviceable parts or adjustments. The operator should never remove the cover or attempt to service the product.



Warning: Switch off power supply

Ensure the vessel's power supply is switched OFF before starting to install this product. Do NOT connect or disconnect equipment with the power switched on, unless instructed in this document.



Warning: Potential ignition source

This product is NOT approved for use in hazardous/flammable atmospheres. Do NOT install in a hazardous/flammable atmosphere (such as in an engine room or near fuel tanks).

Product warnings

Caution: Product weight

- Refer to the technical specification for your product to ensure the intended mounting surface is suitable to bear its weight.
- 2 people may be required for installation of larger / heavier products.



Warning: Marine-grade sealant

Only use marine-grade neutral cure polyurethane sealants. Do NOT use sealants containing acetate or silicone, which can cause damage to plastic parts.

Regulatory notices

Regulatory e-Label

All the applicable regulatory and compliance standards for your product are listed in electronic format in a regulatory “e-label” document, which can be viewed on your product's display.

To access the Regulatory e-Label for your product:

From the Homescreen: [*Settings > Getting Started > Regulatory Approvals*]

Declaration of Conformity

FLIR Belgium BVBA declares that the products listed below are in compliance with the EMC Directive 2014/53/EU:

- Axiom® 2 Pro 9 S multifunction display, part number E70653
- Axiom® 2 Pro 9 RVM multifunction display, part number E70654
- Axiom® 2 Pro 12 S multifunction display, part number E70655
- Axiom® 2 Pro 12 RVM multifunction display, part number E70656
- Axiom® 2 Pro 16 S multifunction display, part number E70657
- Axiom® 2 Pro 16 RVM multifunction display, part number E70658

The original Declaration of Conformity certificate may be viewed on the relevant product page at www.raymarine.com/manuals

RF exposure

This equipment complies with FCC / ISED RF exposure limits for general population / uncontrolled exposure. The wireless LAN / Bluetooth antenna is mounted behind the front facia of the display. This equipment should be installed and operated with a minimum distance of 1 cm (0.39 in) between the device and the body. This transmitter must not be co-located or operating in conjunction with any other antenna or transmitter, except in accordance with FCC multi-transmitter product procedures.

Compliance Statement (Part 15.19)

This device complies with Part 15 of the FCC Rules. Operation is subject to the following two conditions:

1. This device may not cause harmful interference.
2. This device must accept any interference received, including interference that may cause undesired operation.

FCC Interference Statement (Part 15.105 (b))

This equipment has been tested and found to comply with the limits for a Class B digital device, pursuant to Part 15 of the FCC Rules.

These limits are designed to provide reasonable protection against harmful interference in a residential installation. This equipment generates, uses, and can radiate radio frequency energy and, if not installed and used in accordance with the instructions, may cause harmful interference to radio communications. However, there is no guarantee that interference will not occur in a particular installation. If this equipment does cause harmful interference to radio or television reception, which can be determined by turning the equipment off and on, the user is encouraged to try to correct the interference by one of the following measures:

1. Reorient or relocate the receiving antenna.
2. Increase the separation between the equipment and receiver.
3. Connect the equipment into an outlet on a circuit different from that to which the receiver is connected.
4. Consult the dealer or an experienced radio / TV technician for help.

Innovation, Science and Economic Development Canada (ISED)

This device complies with License-exempt RSS standard(s).

Operation is subject to the following two conditions:

1. This device may not cause interference; and
2. This device must accept any interference, including interference that may cause undesired operation of the device.

This Class B digital apparatus complies with Canadian ICES-003.

Innovation, Sciences et Développement économique Canada (Français)

Cet appareil est conforme aux normes d'exemption de licence RSS.

Son fonctionnement est soumis aux deux conditions suivantes:

1. cet appareil ne doit pas causer d'interférence, et
2. cet appareil doit accepter toute interférence, notamment les interférences qui peuvent affecter son fonctionnement.

Cet appareil numérique de la classe B est conforme à la norme NMB-003 du Canada.

Disclaimer

Raymarine does not warrant that this product is error-free or that it is compatible with products manufactured by any person or entity other than Raymarine.

Raymarine is not responsible for damages or injuries caused by your use or inability to use the product, by the interaction of the product with products manufactured by others, or by errors in information utilized by the product supplied by third parties.

Electronic chart data

Raymarine does not warrant the accuracy of such information, and is not responsible for damages or injuries caused by errors in chart data or information utilized by the product and supplied by third parties. Use of electronic charts provided by third parties is subject to the supplier's End-User License Agreement (EULA).

Warranty registration

To register your Raymarine product ownership, please visit www.raymarine.com and register online.

It is important that you register your product to receive full warranty benefits. Your unit package includes a bar code label indicating the serial number of the unit. You will need this serial number when registering your product online. You should retain the label for future reference.

Product disposal

Dispose of this product in accordance with the WEEE Directive.

The Waste Electrical and Electronic Equipment (WEEE) Directive requires the recycling of waste electrical and electronic equipment which contains materials, components and substances that may be hazardous and present a risk to human health and the environment when WEEE is not handled correctly.



Equipment marked with the crossed-out wheeled bin symbol indicates that the equipment should not be disposed of in unsorted household waste. Local authorities in many regions have established collection schemes under which residents can dispose of waste electrical and electronic equipment at a recycling center or other collection point. For more information about suitable collection points for waste electrical and electronic equipment in your region, refer to the Raymarine website: www.raymarine.eu/recycling.

IMO and SOLAS

The equipment described within this document is intended for use on leisure marine boats and workboats NOT covered by International Maritime Organization (IMO) and Safety of Life at Sea (SOLAS) Carriage Regulations.

Technical accuracy

To the best of our knowledge, the information in this document was correct at the time it was produced. However, Raymarine cannot accept liability for any inaccuracies or omissions it may contain. In addition, our policy of continuous product improvement may change specifications without notice.

As a result, Raymarine cannot accept liability for any differences between the product and this document. Please check the Raymarine website (www.raymarine.com) to ensure you have the most up-to-date version(s) of the documentation for your product.

Publication copyright

Copyright ©2023 Raymarine UK Ltd. All rights reserved. No parts of this material may be copied, translated, or transmitted (in any medium) without the prior written permission of Raymarine UK Ltd.

CHAPTER 2: DOCUMENT INFORMATION

CHAPTER CONTENTS

- [2.1 Applicable products — page 14](#)
- [2.2 Document information — page 14](#)
- [2.3 Document conventions — page 14](#)
- [2.4 Document illustrations — page 14](#)
- [2.5 Product documentation — page 14](#)
- [2.6 LightHouse™ 4 operation instructions — page 15](#)

2.1 Applicable products

This document is applicable to the following products:

- Axiom® 2 Pro 9 S multifunction display, part number E70653
- Axiom® 2 Pro 9 RVM multifunction display, part number E70654
- Axiom® 2 Pro 12 S multifunction display, part number E70655
- Axiom® 2 Pro 12 RVM multifunction display, part number E70656
- Axiom® 2 Pro 16 S multifunction display, part number E70657
- Axiom® 2 Pro 16 RVM multifunction display, part number E70658

2.2 Document information

This document contains important information related to the installation of your Raymarine® product.

The document includes information to help you:

- Plan your installation and ensure you have all the necessary equipment.
- Install and connect your product as part of a wider system of connected marine electronics.
- Troubleshoot problems and obtain technical support if required.

This and other Raymarine® product documents are available to download in PDF format from www.raymarine.com/manuals

2.3 Document conventions

The following conventions are used throughout this document.

Formatting of user interface menus and settings.

References to menus and setting options are formatted using square brackets [].

Examples:

- You can select your desired cartography from the *[Cartography selection]* menu.
- MFD apps are accessed from the *[Homescreen]*.

Procedures for performing specific tasks using the product's user interface.

The term “**Select**” is used to refer to the action of:

- Touchscreen control — using your finger to select a menu option or item on the screen.
- Physical buttons — Highlighting an item using the navigational controls and confirming the selection by pressing the *[OK]* button.

Examples:

- Select *[Ok]* to confirm your selection.
- Select *[Set-up]*

Procedures for navigating menu hierarchies.

Menu hierarchies are used in this document to provide a quick summary on how to access a particular function or menu option.

Examples:

- The internal sonar module is turned off from the Fishfinder app menu: *[Menu > Set-up > Sounder Set-up > Internal Sounder]*.
- The internal GPS can be switched off from the GPS settings menu: *[Homescreen > Status area > Satellites > Settings > Internal GPS]*

2.4 Document illustrations

Your product and if applicable, its user interface may differ slightly from that shown in the illustrations in this document, depending on product variant and date of manufacture.

All images are provided for illustration purposes only.

2.5 Product documentation

The following documentation is applicable to your product:

Applicable documents

- **87443** — Axiom® 2 Pro Installation Instructions (This document)
- **81406** — LightHouse™ 4 Operation Instructions
- **81409** — LightHouse™ 4 Basic Operation Instructions

- **87429** — Axiom® 2 Pro 9 Mounting Template
- **87430** — Axiom® 2 Pro 12 Mounting Template
- **87431** — Axiom® 2 Pro 16 Mounting Template

Related documents

- **81367** — RMK-10 Remote Keypad Installation and Operation Instructions
- **87317** — RCR-SD/USB card reader Installation Instructions
- **87321** — Legacy MFD to Axiom Pro/Axiom 2 Pro adaptor plates installation instructions

These and other Raymarine product documents are available to download in PDF format from www.raymarine.com/manuals

User manuals Print Shop

Raymarine® provides a Print Shop service, enabling you to purchase a high-quality, professionally-printed manual for your Raymarine® product.

Printed manuals are ideal for keeping onboard your vessel, as a useful source of reference whenever you need assistance with your Raymarine product.

To order a printed manual, delivered directly to your door, visit:
<http://www.raymarine.co.uk/view/?id=5175>

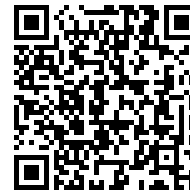
For further information about the Print Shop, please visit the Print Shop FAQ pages: <http://www.raymarine.co.uk/view/?id=5751>

Note:

- Accepted methods of payment for printed manuals are credit cards and PayPal.
- Printed manuals can be shipped worldwide.
- Further manuals will be added to the Print Shop over the coming months for both new and legacy products.
- Raymarine user manuals are also available to download free-of-charge from the Raymarine® website, in the popular PDF format. These PDF files can be viewed on a PC / laptop, tablet, smartphone, or on the latest generation of Raymarine® multifunction displays.

2.6 LightHouse™ 4 operation instructions

Please refer to the LightHouse™ 4 operation instructions for information on how to operate your product.



The LightHouse™ 4 operation Instructions (document number **81406**) can be downloaded from the Raymarine® website: www.raymarine.com/manuals. Please check the website to ensure you have the latest documentation.

Multifunction display software version

To ensure optimum performance and compatibility with external devices, your multifunction display must be using the latest software version.

Visit www.raymarine.com/software to download the latest software.

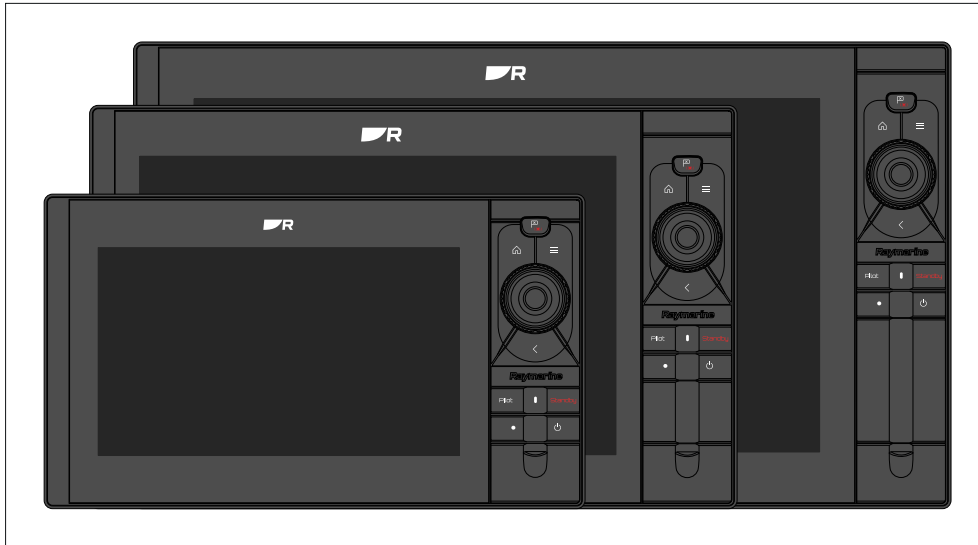
CHAPTER 3: PRODUCT AND SYSTEM OVERVIEW

CHAPTER CONTENTS

- [3.1 Product overview — page 17](#)
- [3.2 Typical systems — page 18](#)

3.1 Product overview

Axiom® 2 Pro is a range of HybridTouch™ multifunction displays.



Features include:

- Full range of navigation, sonar, radar, data, entertainment and other apps available via the embedded LightHouse operating system.
- Available in 9, 12 and 16 inch screen sizes.
- Hexacore (6-core) processor.
- HybridTouch™ technology (physical buttons and multi-point touchscreen).
- Bright Hydrotough™ full HD IPS displays with nano-coated, impact-resistant glass repel water, oil, and smudges. Wide viewing angles and accurate touch controls.
- Ambient light sensor for automatic brightness adjustment.
- HDMI output (via Micro HDMI adapter cable, A80723).
- Audio output (via RCA connectors on supplied power/video/audio cable connected to external third-party amplifier/entertainment system).
- Analog video input (via BNC connector on supplied power/video/audio cable).
- 2x Gigabit ethernet (RayNet) connections.

- NMEA 2000 DeviceNet connection (or SeaTalkng®, via the supplied adapter cable).
- NMEA 0183 connection available, via optional NMEA 0183 to NMEA 2000 convertor (part number: A80721).
- RVM variants include an Internal RealVision™ Max 3D and 1 kW CHIRP sonar module. (Backwards compatible with existing RealVision™ 3D transducers). RealVision™ Max 3D technology provides improved ping rates and tighter beamwidths, resulting in sharper sonar images, detailed wrecks, and distinct fish targets.
- S variants include an Internal 100 W CHIRP conical beam sonar module.
- Dual slot internal MicroSD card reader.
- Configurable lower keypad (pilot controls or user-programmable favorite buttons).
- Optional external SD card reader connection, via RCR-SDUSB card reader (part number: A80440).
- Optional external GNSS (GPS) passive antenna connection.

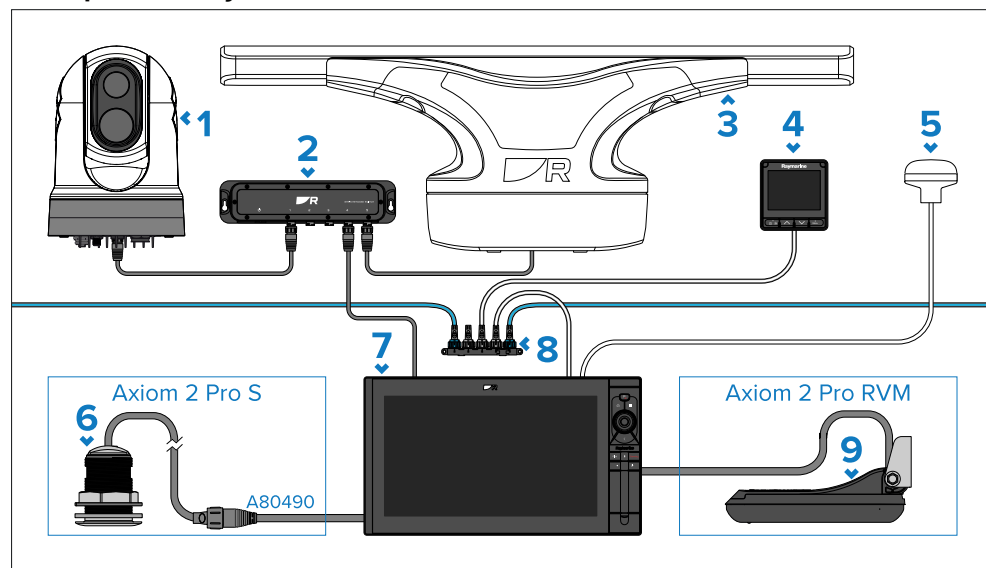
3.2 Typical systems

Examples of typical systems.

Note:

Power supply connections are not shown in the following example. For details on how to connect power to your devices, refer to the power connection details in the applicable device instructions.

Example basic system

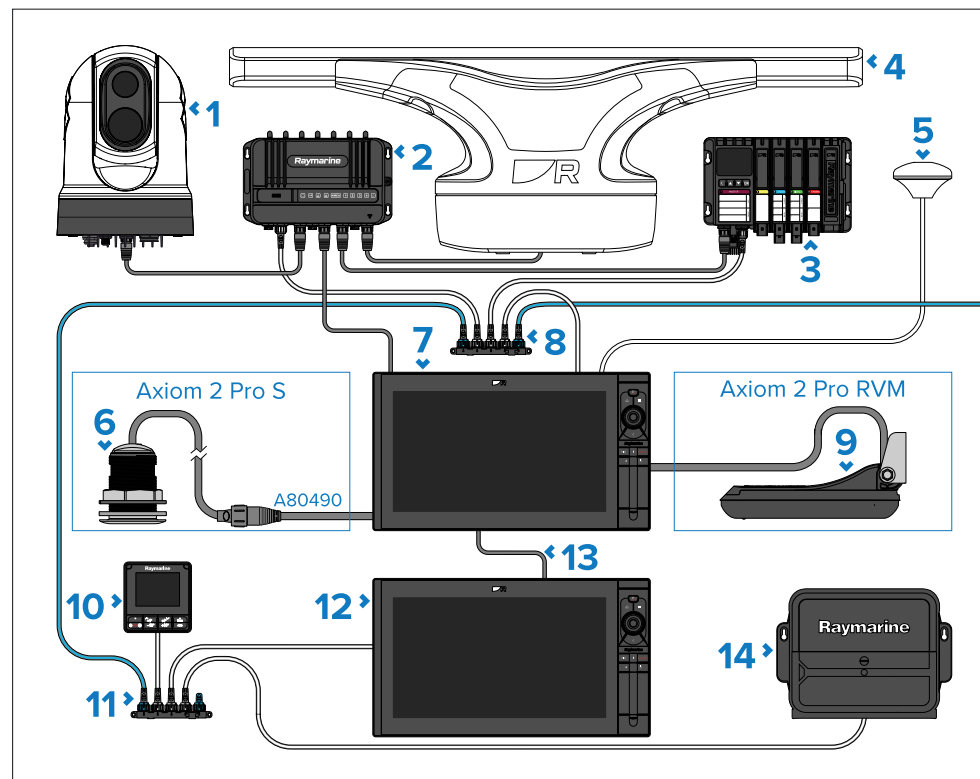


1. Raymarine thermal camera (M300 illustrated).
2. Raymarine network switch (RNS-5 illustrated).
3. Raymarine radar scanner (Cyclone™ illustrated).
4. SeaTalkng® instrument (i70s illustrated).
5. External GNSS antenna (e.g.: GA200, part number A80589).
6. Example Raymarine CHIRP sonar transducer, compatible with the Axiom 2 Pro S variant (CPT-S illustrated, connected via A80490 adaptor cable).
7. Axiom® 2 Pro display.
8. SeaTalkng® 5-way block (terminated SeaTalkng® CAN bus network).
9. Example Raymarine RealVision™ Max sonar transducer, compatible with the Axiom 2 Pro RVM variant (RVM-100 illustrated).

Note:

Power supply connections are not shown in the following example. For details on how to connect power to your devices, refer to the power connection details in the applicable device instructions.

Example expanded system



1. Raymarine thermal camera (M300 illustrated).
2. YachtSense™ Link Marine Router.
3. YachtSense™ Digital Control System (Master module assembly illustrated).
4. Raymarine radar scanner (Cyclone™ illustrated).
5. External GNSS antenna (e.g.: GA200, part number A80589).
6. Example Raymarine CHIRP sonar transducer, compatible with the Axiom 2 Pro S variant (CPT-S illustrated, connected via A80490 adaptor cable).
7. Axiom® 2 Pro display.

8. SeaTalkng® 5-way block (terminated SeaTalkng® CAN bus network).
9. Example Raymarine RealVision™ Max sonar transducer, compatible with the Axiom 2 Pro RVM variant (RVM-100 illustrated).
10. Autopilot controller (P70s illustrated).
11. SeaTalkng® 5-way block (terminated SeaTalkng® CAN bus network).
12. (Additional) Axiom® 2 Pro display.
13. RayNet network connection between Raymarine displays.
14. ACU Evolution autopilot (drive and EV sensor not shown).

CHAPTER 4: COMPATIBLE TRANSDUCERS

CHAPTER CONTENTS

- 4.1 Axiom® 2 Pro RVM variant — compatible transducers — page 21
- 4.2 Axiom 2 Pro S variant - compatible transducers — page 26

4.1 Axiom® 2 Pro RVM variant — compatible transducers

The following transducer types can be connected to the transducer connections on Axiom® 2 Pro RVM variant MFDs:

RV / RVM connection:

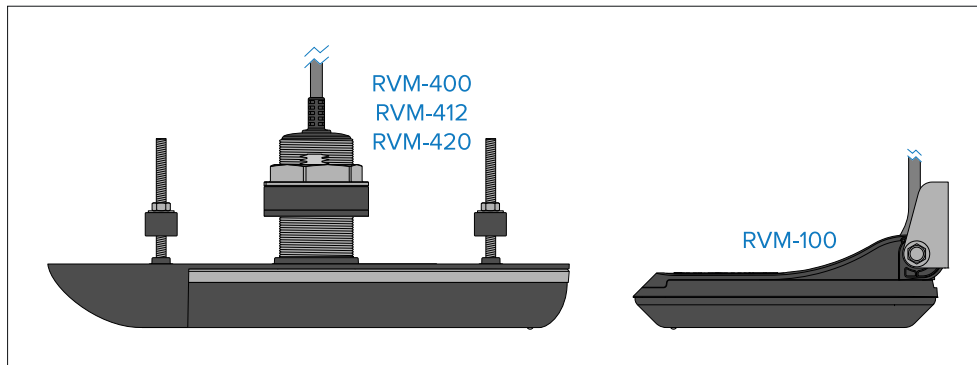
- [p.21 — RealVision™ Max 3D transducers](#)
- [p.21 — RealVision™ 3D transducers](#)
- [p.22 — SideVision™ transducers](#)
- [p.23 — DownVision™ transducers](#)
- [p.23 — CPT-S conical beam transducers](#)

1 kW connection:

- [p.23 — CHIRP transducers](#)
- [p.25 — Traditional transducers](#)

RealVision™ Max 3D transducers

- RealVision™ Max 3D transducers connect directly to the 25-pin RV/RVM transducer connector.
- RealVision™ Max 3D split-pair transducers are supplied with a Y-cable (part number: A80478) and extension cable (part number: A80477) to connect both transducers to the 25-pin RV/RVM transducer connector.



Transom mount transducers

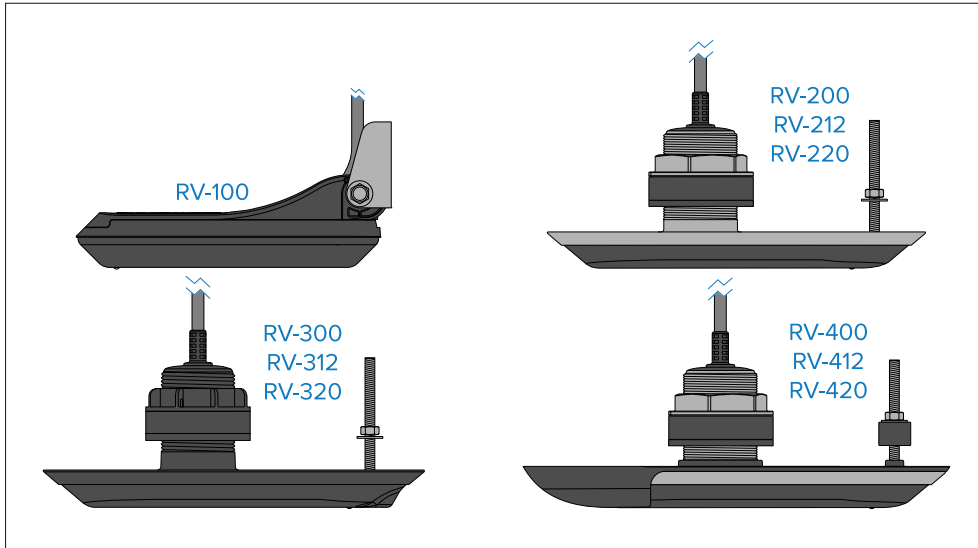
Part number	Transducer description
A80703	RVM-100 RealVision™ Max 3D plastic transducer

Thru-hull mount transducers

Part number	Transducer description
A80704	RVM-400 RealVision™ Max 3D stainless steel 0° transducer
T70543: A80705 A80706	RVM-412P / RVM-412S RealVision™ Max 3D stainless steel 12° split-pair transducers
T70544: A80707 A80708	RVM-420P / RVM-420S RealVision™ Max 3D stainless steel 20° split-pair transducers

RealVision™ 3D transducers

- RealVision™ Max 3D transducers connect directly to the 25-pin RV/RVM transducer connector.
- RealVision™ Max 3D split-pair transducers are supplied with a Y-cable (part number: A80478) and extension cable (part number: A80477) to connect both transducers to the 25-pin RV/RVM transducer connector.



Transom mount transducers

Part number	Transducer description
A80464	RV-100 RealVision™ 3D plastic transducer

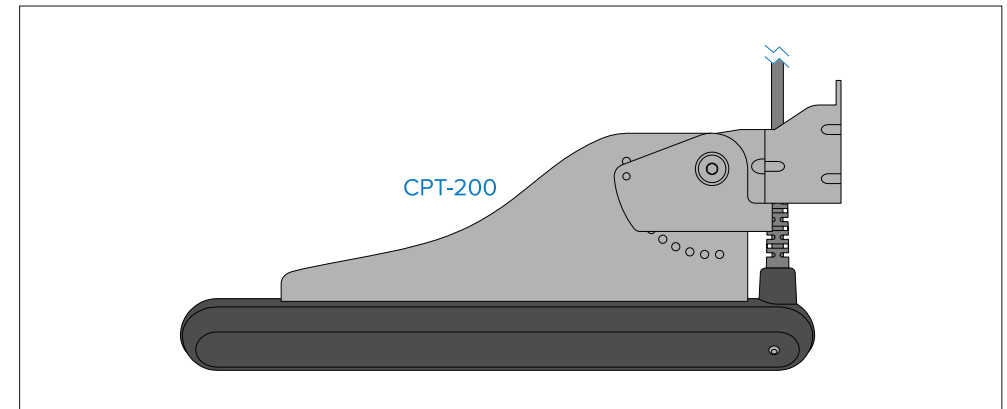
Thru-hull mount transducers

Part number	Transducer description
A80465	RV-200 RealVision™ 3D bronze 0° transducer
T70318: A80466 A80467	RV-212P / RV-212S RealVision™ 3D bronze 12° split-pair transducers
T70319: A80468 A80469	RV-220P / RV-220S RealVision™ 3D bronze 20° split-pair transducers
A80470	RV-300 RealVision™ 3D plastic 0° transducer
T70320: A80471 A80472	RV-312P / RV-312S RealVision™ 3D plastic 12° split-pair transducers

Part number	Transducer description
T70321: A90473 A80474 A80615	RV-320P / RV-320S RealVision™ 3D plastic 20° split-pair transducers
T70450: A80616 A80617	RV-412P / RV-412S RealVision™ 3D stainless steel 12° split-pair transducers
T70451: A80618 A80619	RV-420P / RV-420S RealVision™ 3D stainless steel 20° split-pair transducers

SideVision™ transducers

SideVision™ transducers require an adapter cable (part number: A80490), and connect to the 25-pin RV/RVM transducer connector.

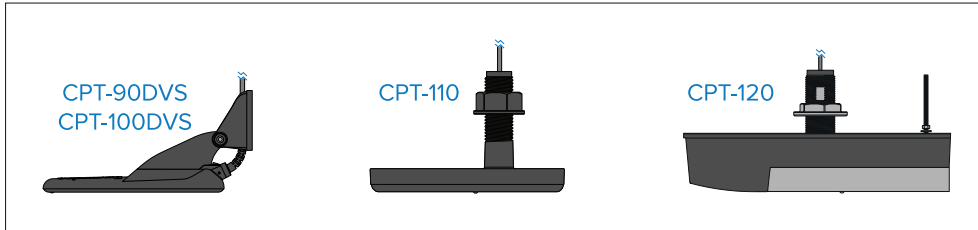


Transom mount transducers

Part number	Transducer description
A80281	CPT-200 SideVision™ stainless steel transducer

DownVision™ transducers

DownVision™ transducers require an adapter cable (part number: A80490), and connect to the 25-pin RV/RVM transducer connector.



Transom mount transducers

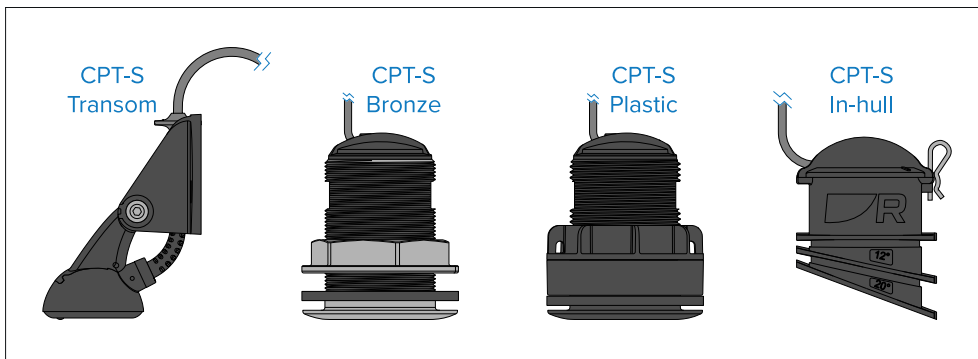
Part number	Transducer description
A80507	CPT-90DVS DownVision™ plastic transducer
A80351	CPT-100DVS DownVision™ plastic transducer

Thru-hull mount transducers

Part number	Transducer description
A80277	CPT-110 plastic transducer
A80350	CPT-120 bronze transducer

CPT-S conical beam transducers

- CPT-S transducers require an adapter cable (part number: A80490), and connect to the 25-pin RV/RVM transducer connector.
- CPT-S transducers do **NOT** offer DownVision™ capabilities.



Compatible transducers

Transom mount transducers

Part number	Transducer description
E70342	CPT-S plastic transducer

Thru-hull mount transducers

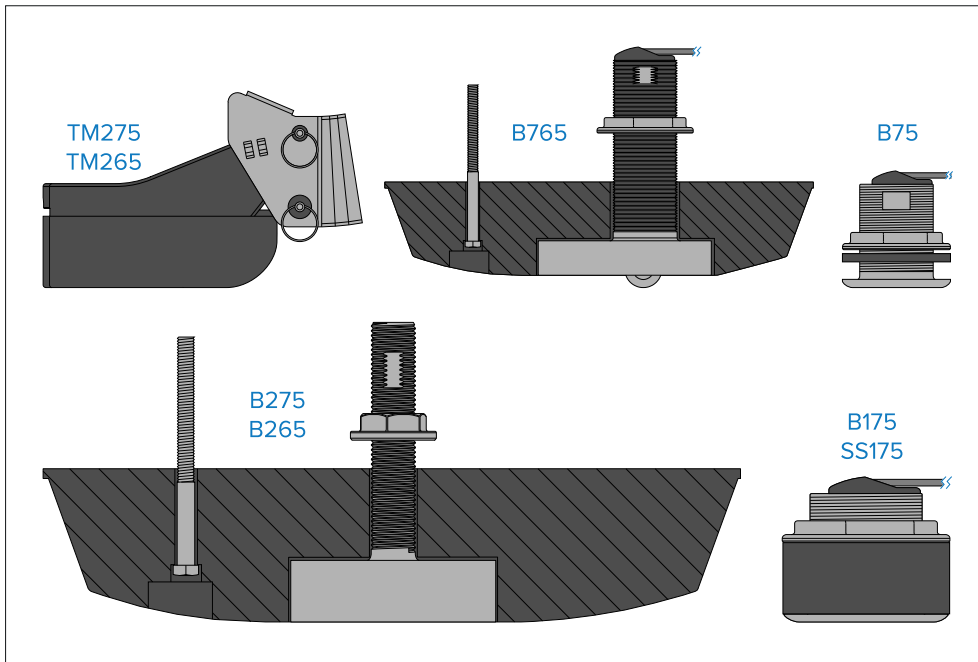
Part number	Transducer description
E70339	CPT-S 0° Angled element plastic transducer
A80448	CPT-S 12° Angled element plastic transducer
A80447	CPT-S 20° Angled element plastic transducer
A80446	CPT-S 0° Angled element bronze transducer
E70340	CPT-S 12° Angled element bronze transducer
E70341	CPT-S 20° Angled element bronze transducer

In-hull mount transducers

Part number	Transducer description
A80691	CPT-S plastic transducer

CHIRP transducers

- CHIRP transducers connect directly to the 11-pin 1kW transducer connector.
- CHIRP split-pair transducers require a Y-cable (part number: A102146).
- B75 & B175 transducers require an operation cable (part number: A80328).



Transom mount transducers

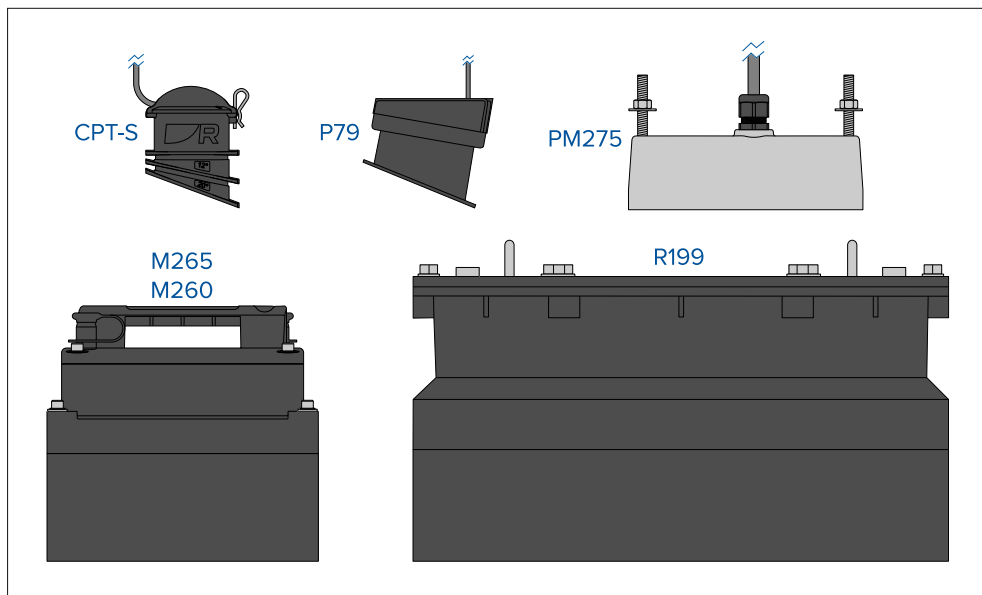
Part number	Transducer description
A80318	TM275LH-W plastic transducer
A80013	TM265LH plastic transducer
A80041	TM265LM plastic transducer

Thru-hull mount transducers

Part number	Transducer description
A80319	B175H-W 0° angled element bronze transducer
A80320	B175H-W 12° angled element bronze transducer
A80321	B175H-W 20° angled element bronze transducer
A80506	SS175H-W 20° angled element stainless steel transducer
A80322	B275LH-W 20° bronze thru-hull mount transducer
A80016	B75L 0° angled element bronze transducer

Part number	Transducer description
A80017	B75M 0° angled element bronze transducer
A80018	B75H 0° angled element bronze transducer
T70060	B75LH 0° angled element bronze split-pair transducers
T70061	B75LM 0° angled element bronze split-pair transducers
T70062	B75MH 0° angled element bronze split-pair transducers
A80033	B75L 12° angled element bronze transducer
A80034	B75M 12° angled element bronze transducer
A80035	B75H 12° angled element bronze transducer
T70063	B75LH 12° angled element bronze split pair transducers
T70064	B75LM 12° angled element bronze split pair transducers
T70065	B75MH 12° angled element bronze split pair transducers
A80036	B75M 20° angled element bronze transducer
A80037	B75H 20° angled element bronze transducer
T70068	B75MH 20° angled element bronze split pair transducers
A80042	B175L 0° angled element bronze transducer
A80043	B175M 0° angled element bronze transducer
A80044	B175H 0° angled element bronze transducer
T70069	B175LH 0° angled element bronze split-pair transducers
T70070	B175LM 0° angled element bronze split-pair transducers
T70071	B175MH 0° angled element bronze split-pair transducers
A80045	B175L 12° angled element bronze transducer
A80046	B175M 12° angled element bronze transducer
A80047	B175H 12° angled element bronze transducer
T70072	B175LH 12° angled element bronze split-pair transducers
T70073	B175LM 12° angled element bronze split-pair transducers
T70074	B175MH 12° angled element bronze split-pair transducers
A80048	B175L 20° angled element bronze transducer

Part number	Transducer description
A80049	B175M 20° angled element bronze transducer
A80050	B175H 20° angled element bronze transducer
T70075	B175LH 20° angled element bronze split-pair transducers
T70076	B175LM 20° angled element bronze split-pair transducers
T70077	B175MH 20° angled element bronze split-pair transducers
A80504	SS175L 20° angled element stainless steel transducer
A80505	SS175M 20° angled element stainless steel transducer
A80014	B765LH bronze transducer
A80015	B765LM bronze transducer
A80010	B265LH bronze transducer
A80011	B265LM bronze transducer



In-hull mount transducers

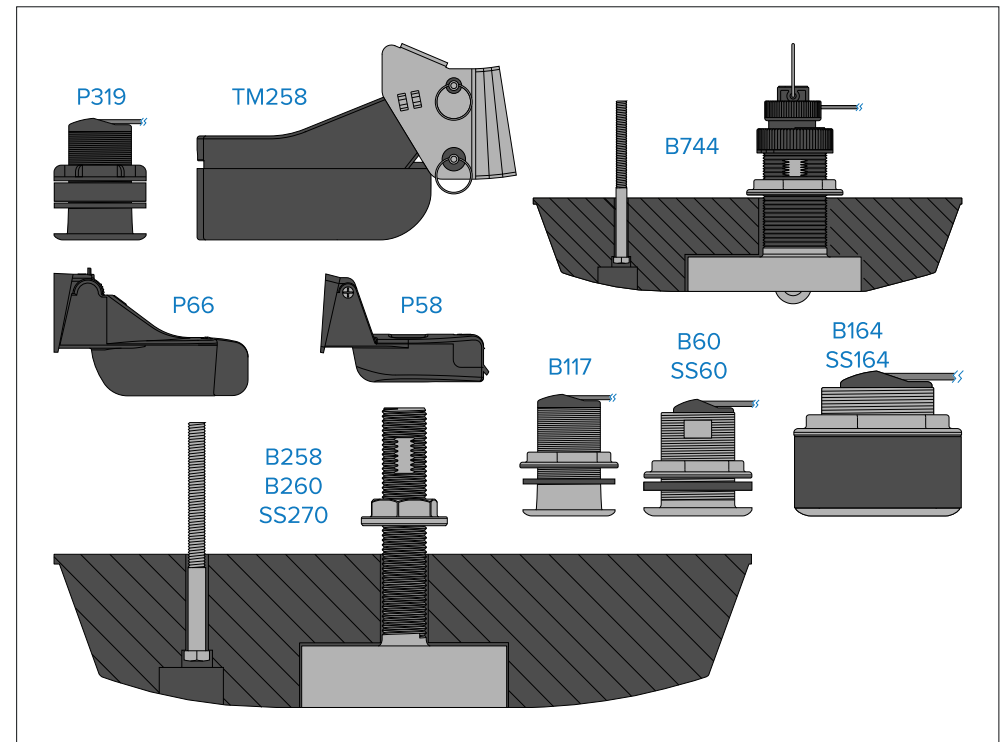
Part number	Transducer description
A80012	M265LH plastic transducer
A80038	M265LM plastic transducer

Pocket / keel mount transducers

Part number	Transducer description
A80325	PM275LH-W bronze transducer

Traditional transducers

Traditional transducers require an adapter cable (part number: A80496) and connect to the 11-pin 1kW transducer connector.

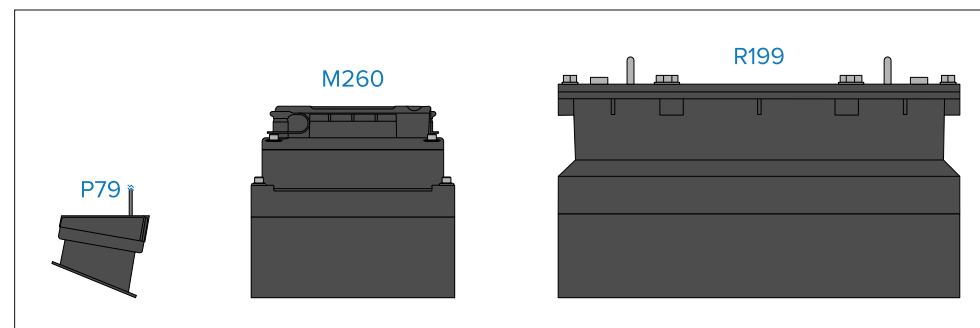


Transom mount transducers

Part number	Transducer description
E66084	TM258 plastic transducer
A80566	P58 plastic transducer
E66054	P66 plastic transducer

Thru-hull mount transducers

Part number	Transducer description
E66013	P319 plastic transducer
E66014	B117 bronze transducer
E66086	B60 12° angled element bronze transducer
E66085	B60 20° angled element bronze transducer
A80568	SS60 0° angled element stainless steel transducer
A80569	SS60 12° angled element stainless steel transducer
A80570	SS60 20° angled element stainless steel transducer
A102137	B164 0° angled element bronze transducer
A102112	B164 12° angled element bronze transducer
A102113	B164 20° angled element bronze transducer
A80451	SS164 0° angled element stainless steel transducer
A66098	SS164 12° angled element stainless steel transducer
A66099	SS164 20° angled element stainless steel transducer
A66091	B744V bronze transducer
A66092	B744VL bronze transducer
E66082	B258 bronze transducer
A102121	SS270W bronze transducer
E66079	B260 bronze transducer



In-hull mount transducers

Part number	Transducer description
E66008	P79 plastic transducer
A66089	M260 plastic transducer
E66076	R199 plastic transducer

4.2 Axiom 2 Pro S variant - compatible transducers

The following transducer types can be connected to the transducer connection on Axiom® 2 Pro S variant MFDs:

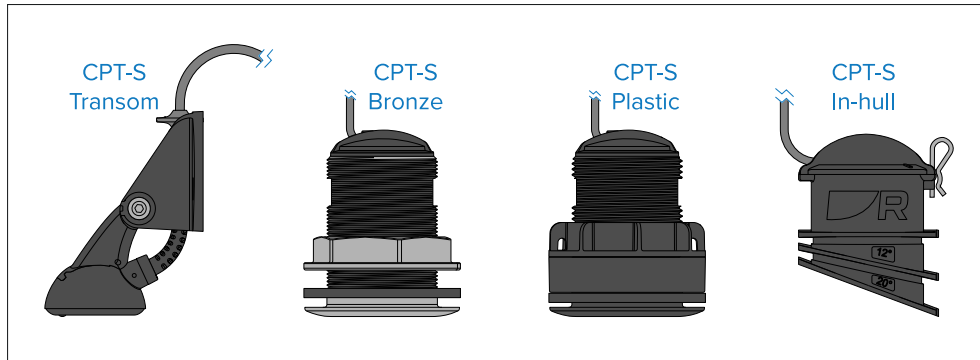
- [p.27 – CPT-S conical beam transducers](#)

Note:

You cannot connect RealVision 3D or RealVision Max 3D transducers to S variant Axiom 2 Pro MFDs.

CPT-S conical beam transducers

All transducer connections require the 25-pin to 9-pin transducer adapter cable accessory (part number: A80490) and connect to the transducer connector. CPT-S transducers do **NOT** offer DownVision™ capabilities.



Transom mount transducers

Part number	Transducer description
E70342	CPT-S plastic transducer

Thru-hull mount transducers

Part number	Transducer description
E70339	CPT-S 0° Angled element plastic transducer
A80448	CPT-S 12° Angled element plastic transducer
A80447	CPT-S 20° Angled element plastic transducer
A80446	CPT-S 0° Angled element bronze transducer
E70340	CPT-S 12° Angled element bronze transducer
E70341	CPT-S 20° Angled element bronze transducer

In-hull mount transducers

Part number	Transducer description
A80691	CPT-S plastic transducer

CHAPTER 5: PARTS SUPPLIED

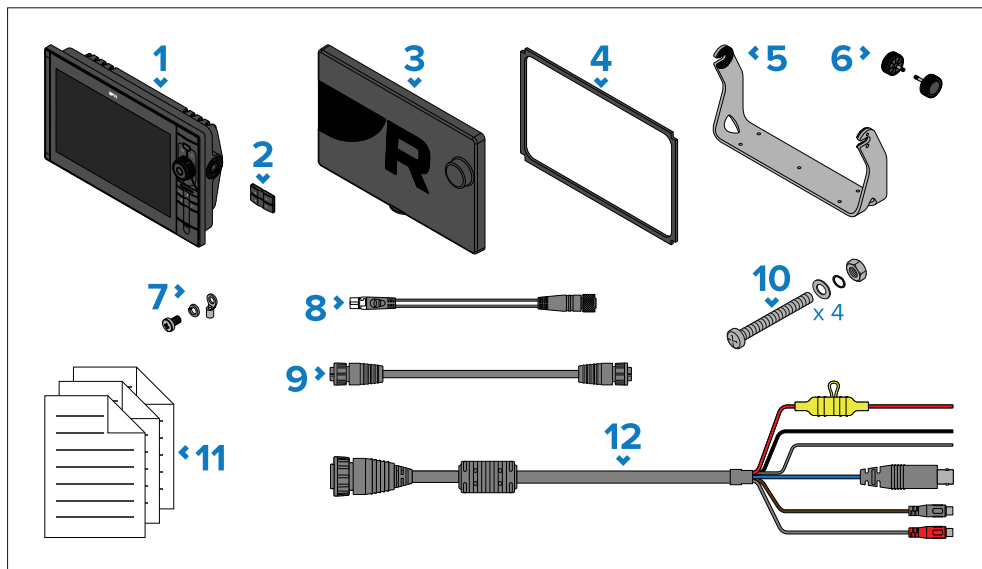
CHAPTER CONTENTS

- [5.1 Parts supplied - Axiom 2 Pro 9 / 12 — page 29](#)
- [5.2 Parts supplied - Axiom 2 Pro 16 — page 30](#)

5.1 Parts supplied - Axiom 2 Pro 9 / 12

The following parts are supplied in the box.

Unpack your product carefully to prevent damage or loss of parts. Check the box contents against the list below. Retain the packaging and documentation for future reference.



Item	Description
1	Axiom® 2 Pro display
2	User configurable lower keypad
3	Suncover
4	Mounting gasket
5	*Trunnion mounting bracket
6	Trunnion knobs
7	M3 x 5 screw, M3 spring washer and M3 crimp terminal (for optional grounding connection)
8	SeaTalkng™ to DeviceNet adaptor cable, 1 m (3.3 ft)
9	RayNet network cable, 2 m (6.6 ft)

Item	Description
10	Mounting fixings x 4 (including M4 x 40 bolts, M4 plain washers, M4 nuts)
11	Documentation
12	Power/video/audio cable, 1.5 m (4.92 ft)

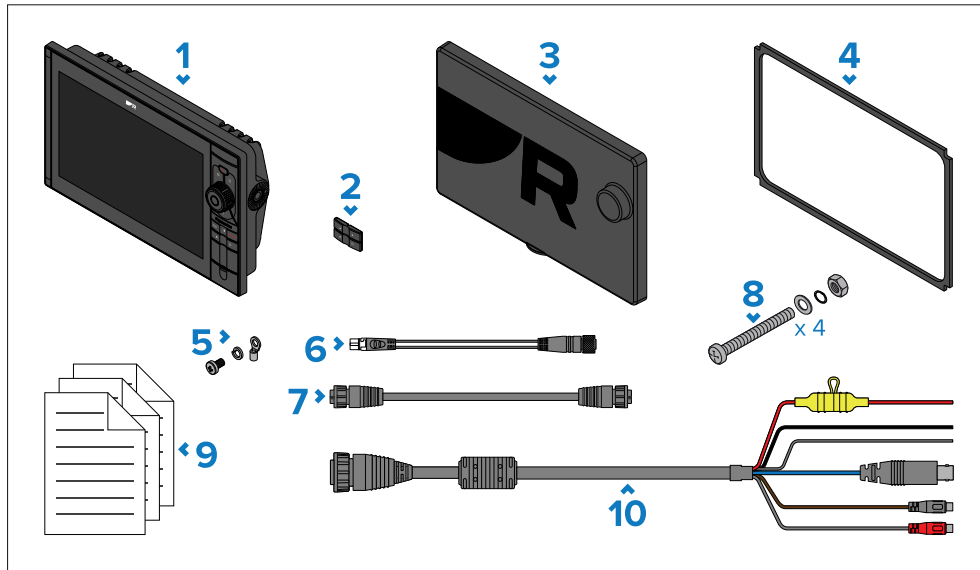
Note:

*Fixings to secure the trunnion bracket to a mounting surface are not provided. 5 x self tapping screws are required. The screws should be suitable for the mounting surface material and the 5.75 mm (0.23 in) diameter mounting holes in the trunnion bracket.

5.2 Parts supplied - Axiom 2 Pro 16

The following parts are supplied in the box.

Unpack your product carefully to prevent damage or loss of parts. Check the box contents against the list below. Retain the packaging and documentation for future reference.



Item	Description
9	Documentation
10	Power/video/audio cable, 1.5 m (4.92 ft)

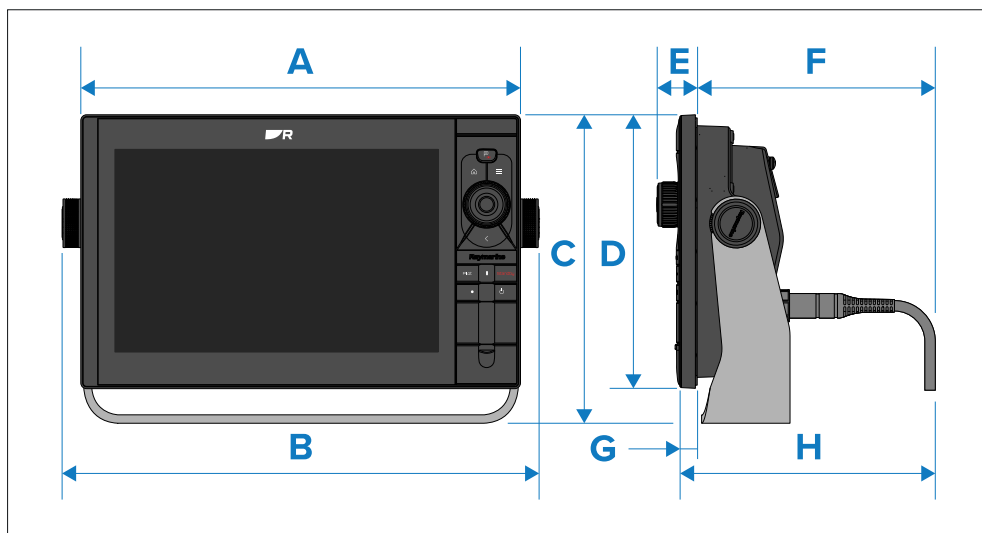
Item	Description
1	Axiom® 2 Pro display
2	User configurable lower keypad
3	Suncover
4	Mounting gasket
5	M3 x 5 screw, M3 spring washer and M3 crimp terminal (for optional grounding connection)
6	SeaTalkng™ to DeviceNet adaptor cable, 1 m (3.3 ft)
7	RayNet network cable, 2 m (6.6 ft)
8	Mounting fixings x 4 (including M4 x 40 bolts, M4 plain washers, M4 nuts)

CHAPTER 6: PRODUCT DIMENSIONS

CHAPTER CONTENTS

- [6.1 Axiom 2 Pro dimensions — page 32](#)

6.1 Axiom 2 Pro dimensions



	Axiom 2 Pro 9	Axiom 2 Pro 12	Axiom 2 Pro 16
A	299.30 mm (11.78 in)	358.10 mm (14.10 in)	452.10 mm (17.80 in)
B	329.50 mm (12.97 in)	388.50 mm (15.3 in)	482.50 mm (19.00 in)
C	186.2 mm (7.33 in)	246.10 mm (9.69 in)	281.20 mm (11.10 in)
D	173.80 mm (6.84 in)	222.80 mm (8.77 in)	258.00 mm (10.16 in)
E	33.00 mm (1.30 in)	33.00 mm (1.30 in)	32.90 mm (1.30 in)
F	201.40 mm (7.93 in) 181.40 mm (7.14 in) when using right angled cable connector accessory	201.30 mm (7.93 in) 181.30 mm (7.14 in) when using right angled cable connector accessory	208.50 mm (8.21 in) 188.50 mm (7.42 in) when using right angled cable connector accessory
G	14.25 mm (0.56 in)	14.25 mm (0.56 in)	14.25 mm (0.56 in)
H	234.40 mm (9.23 in) 214.40 mm (8.44 in) when using right angled cable connector accessory	234.30 mm (9.23 in) 214.30 mm (8.44 in) when using right angled cable connector accessory	241.40 mm (9.50 in) 221.40 mm (8.72 in) when using right angled cable connector accessory

Note:

Trunnion bracket is included with the Axiom® 2 Pro 9 and Axiom® 2 Pro 12. For the Axiom® 2 Pro 16 the trunnion bracket is a separate accessory (part number: A80722).

CHAPTER 7: LOCATION REQUIREMENTS

CHAPTER CONTENTS

- 7.1 Warnings and cautions — page 34
- 7.2 General location requirements — page 34
- 7.3 GNSS (GPS) location requirements — page 34
- 7.4 Touchscreen location requirements — page 36
- 7.5 Wireless location requirements for optimum performance — page 36
- 7.6 Viewing angle considerations — page 37
- 7.7 EMC installation guidelines — page 37

7.1 Warnings and cautions

Important:

Before proceeding, ensure that you have read and understood the warnings and cautions provided in the following section of this document:

[p.10 – Important information](#)



Warning: Potential ignition source

This product is NOT approved for use in hazardous/flammable atmospheres. Do NOT install in a hazardous/flammable atmosphere (such as in an engine room or near fuel tanks).

7.2 General location requirements

When selecting a location for your product it is important to consider a number of factors.

Key factors which can affect product performance are:

- **Ventilation** — To ensure adequate airflow:
 - Ensure that product is mounted in a compartment of suitable size.
 - Ensure that ventilation holes are not obstructed. Allow adequate separation of all equipment.
- Any specific requirements for each system component are provided later in this chapter.
- **Mounting surface** — Ensure product is adequately supported on a secure surface. Do not mount units or cut holes in places which may damage the structure of the vessel.
- **Cabling** — Ensure the product is mounted in a location which allows proper routing, support and connection of cables:
 - Minimum bend radius of 100 mm (3.94 in) unless otherwise stated.
 - Use cable clips to prevent stress on connectors.
 - If your installation requires multiple ferrites to be added to a cable then additional cable clips should be used to ensure the extra weight of the cable is supported.
- **Water ingress** — The product is suitable for mounting both above and below decks. Although the unit is waterproof, it is good practice to locate

it in a protected area away from prolonged and direct exposure to rain and salt spray.

- **Electrical interference** — Select a location that is far enough away from devices that may cause interference, such as motors, generators and radio transmitters / receivers.
- **Power supply** — Select a location that is as close as possible to the vessel's DC power source. This will help to keep cable runs to a minimum.

Caution: Product weight

- Refer to the technical specification for your product to ensure the intended mounting surface is suitable to bear its weight.
- 2 people may be required for installation of larger / heavier products.

Rear access requirements

Access to the rear of the display and mounting surface is required to surface and flush mount the display.

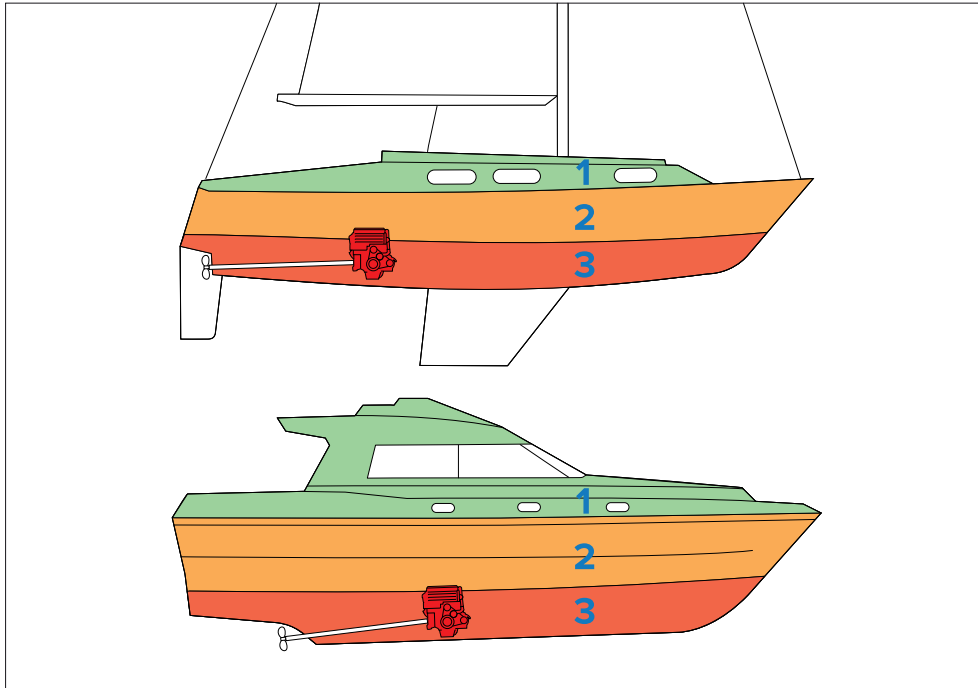
Ensure there is sufficient access and space behind the mounting surface to attach and tighten the fixings and also to connect the cables.

7.3 GNSS (GPS) location requirements

In addition to general guidelines concerning the location of marine electronics, there are a number of environmental factors to consider when installing equipment with an internal GNSS receiver.

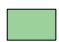


Mounting location

- Above Decks (e.g. open air) mounting: Provides optimal performance. (For equipment with appropriate waterproof rating.)
- Below Decks (e.g. enclosed space) mounting: Performance may be less effective and may require an external antenna or receiver mounted above decks.



Prevailing conditions

The weather and location of the vessel can affect performance. Typically calm clear conditions provide a more accurate position fix. Vessels at extreme northerly or southerly latitudes may also receive a weaker signal. An antenna mounted below decks will be more susceptible to performance issues related to the prevailing conditions.

1		This location provides optimal performance (above decks).
2		In this location, performance may be less effective.
3		This location is NOT recommended.

Vessel construction

The construction of your vessel can have an impact on performance. For example, the proximity of heavy structures such as a structural bulkhead, or the interior of larger vessels may result in a reduced signal. The construction materials can also have an impact. In particular, steel, aluminium or carbon surfaces can impact performance. Before locating equipment with an internal antenna below decks, or on a steel, aluminium or carbon construction vessel or surface, seek professional assistance.

7.4 Touchscreen location requirements

Note:

Touchscreen performance can be affected by the installation environment, specifically Touchscreen displays installed above decks, where it will be open to the elements may exhibit the following:

- Hot Touchscreen temperature — If the display is mounted where it will be exposed to prolonged periods of direct sunlight, the touchscreen may become hot.
- Erroneous Touchscreen performance — Exposure to prolonged rain and / or water wash over may cause the display to respond to 'false touches', caused by the rain/water hitting the screen.

If, due to the required installation location, exposure to these elements is anticipated then it is recommended that you consider:

- Installing a remote keypad such as the RMK-10 and operating the display remotely — Touch-only displays.
- Locking the Touchscreen and using the physical buttons instead — HybridTouch displays.
- Attaching a third-party 'display hood accessory' to reduce direct sunlight exposure and the volume of water that the display is exposed to.

7.5 Wireless location requirements for optimum performance

All wireless devices in your system must be located in such a way that they can reliably receive and/or transmit wireless signals.

A number of factors can influence wireless performance. For example, physical obstacles and certain vessel structures and materials can all negatively impact wireless performance. Therefore, **it's important to check a product's wireless performance at the desired installation location before drilling any mounting holes.**

Vessel construction and materials

Wherever possible, mount products on surfaces constructed from GRP (e.g. fiberglass resin, or foam), or on dry wooden bulkheads.

Conductive materials in the signal path can have a significant impact on wireless signal performance. Reflective surfaces such as metal surfaces, some types of glass and even mirrors can drastically affect performance or even block the wireless signal. Installation locations that are in close proximity to these materials should be avoided. **Do NOT mount wireless products directly to conductive materials.** This includes any mounting surface or enclosure/pod.

Examples of conductive materials include, but are not limited to:

- carbon fibre, kevlar, or aramid (including sails made from these materials)
- aluminium
- steel

In installations with conductive materials, if available, mount the wireless product using an accessory pole mount or deck mounting kit. A clearance of at least 10 cm (3.9 in) is required to minimize the ground effect from conductive materials. This applies to transmitters as well as displays. If moving the product fixes the problem, consider cutting an antenna clearance hole behind the unit (once the product position and mounting have been finalized).

Wireless performance can also be degraded in locations where the wireless signal passes through a bulkhead containing power cables.

Crew members (especially when wet) can also be obstructive to wireless signals, if their bodies pass through the signal area between wireless sensor and any associated displays.

Checking and optimizing signal strength

It may be necessary to experiment with the location of your wireless products to achieve optimal wireless performance and a clear signal path.

The distance between wireless products should always be kept to a minimum. Do not exceed the maximum stated range of your wireless product (maximum range will vary for each device).

Wireless performance degrades over distance, so products farther away will receive less network bandwidth. Products installed close to their maximum wireless range may experience slow connection speeds, signal dropouts, or not being able to connect at all.

For best results, the wireless product should have a clear, direct line-of-sight to the product it will be connected to. Any physical obstructions can degrade or even block the wireless signal.

Some wireless products feature a signal strength indicator to assist in the process of determining the location with the best wireless performance. Choose the location with the highest and most consistently strong direct signal reading, during a 5 minute monitoring period. Try alternative locations for the transmitter to maximise the signal strength to the displays; e.g. try locations below a hatch or skylight or near to a window. A small change in product position can result in a significant change in the signal strength.

Note:

Some wireless products (e.g. a Hull Transmitter) will not transmit data unless a transducer is connected. Also consider that an NMEA or SeaTalkng product (e.g. an interface) will not transmit data unless an appropriate data source is connected.

Interference and other equipment

Interference from other people's wireless devices can cause interference with your products. You can use a third-party wireless analyzer tool / smartphone app to assess the best wireless channel to use (e.g. a channel not in use or one used by the least number of devices).

Wireless products should be installed at least 1 m (3 ft) away from:

- Other wireless-enabled products
- Transmitting products that send wireless signals in the same frequency range
- Other electrical, electronic or electromagnetic equipment that may generate interference.

Software updates

It's also important to ensure all your wireless products are running the latest software versions, as improvements are made over time to wireless performance.

7.6 Viewing angle considerations

As display contrast and color are affected by the viewing angle, It is recommended that you temporarily power up the display, prior to installation, to enable you to best judge which location provides the optimum viewing angle.

For viewing angles for your product refer to the *Technical specification*.

[Location requirements](#)

7.7 EMC installation guidelines

Raymarine® equipment and accessories conform to the appropriate Electromagnetic Compatibility (EMC) regulations, to minimize electromagnetic interference between equipment and minimize the effect such interference could have on the performance of your system.

Correct installation is required to ensure that EMC performance is not compromised.

Note:

In areas of extreme EMC interference, some slight interference may be noticed on the product. Where this occurs the product and the source of the interference should be separated by a greater distance.

For **optimum** EMC performance we recommend that wherever possible:

- Raymarine® equipment and cables connected to it are:
 - At least 1 m (3.3 ft) from any equipment transmitting or cables carrying radio signals e.g. VHF radios, cables and antennas. In the case of SSB radios, the distance should be increased to 2 m (6.6 ft).
 - More than 2 m (6.6 ft) from the path of a radar beam. A radar beam can normally be assumed to spread 20 degrees above and below the radiating element.
- The product is supplied from a separate battery from that used for engine start. This is important to prevent erratic behavior and data loss which can occur if the engine start does not have a separate battery.
- Raymarine® specified cables are used.
- Cables are not cut or extended, unless doing so is detailed in the installation manual.

Note:

Where constraints on the installation prevent any of the above recommendations, always ensure the maximum possible separation between different items of electrical equipment, to provide the best conditions for EMC performance throughout the installation.

RF interference

Certain third-party external electrical equipment can cause Radio Frequency (RF) interference with GNSS (GPS), AIS or VHF devices, if the external equipment is not adequately insulated and emits excessive levels of electromagnetic interference (EMI).

Some common examples of such external equipment include LED lighting (e.g.: navigation lights, searchlights and floodlights, interior and exterior lights) and terrestrial TV tuners.

To minimize interference from such equipment:

- Keep it as far away from GNSS (GPS), AIS or VHF products and their antennas as possible.
- Ensure that any power cables for external equipment are not entangled with the power or data cables for these devices.
- Consider fitting one or more high frequency suppression ferrites to the EMI-emitting device. The ferrite(s) should be rated to be effective in the range 100 MHz to 2.5 GHz, and should be fitted to the power cable and any other cables exiting the EMI-emitting device, as close as possible to the position where the cable exits the device.

Compass safe distance

To prevent potential interference with the vessel's magnetic compasses, ensure an adequate distance is maintained from the product.

When choosing a suitable location for the product you should aim to maintain the maximum possible distance from any compasses. Typically this distance should be at least 1 m (3.3 ft) in all directions. However for some smaller vessels it may not be possible to locate the product this far away from a compass. In this situation, when choosing the installation location for your product, ensure that the compass is not affected by the product when it is in a powered state.

CHAPTER 8: INSTALLATION

CHAPTER CONTENTS

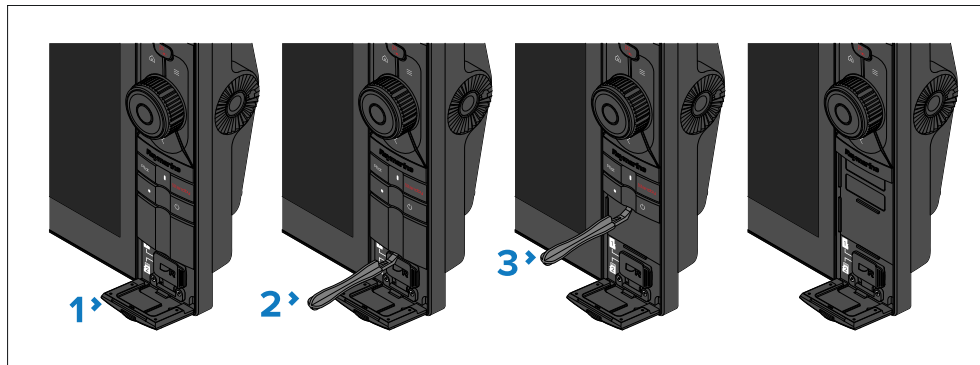
- 8.1 Replacing the lower keypad — page 40
- 8.2 Mounting options — page 40
- 8.3 Trunnion mounting — Axiom® 2 Pro 9 and Axiom® 2 Pro 12 — page 41
- 8.4 Trunnion mounting — Axiom® 2 Pro 16 — page 42
- 8.5 Flush mounting — page 44
- 8.6 Surface mounting — page 46

8.1 Replacing the lower keypad

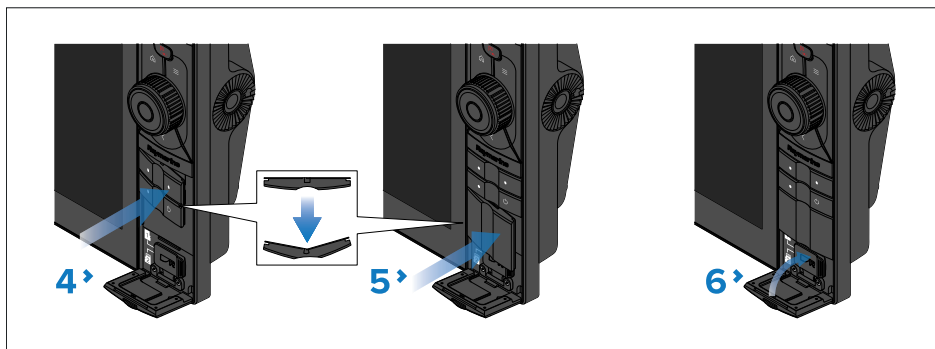
The display is supplied with the pilot control lower keypad fitted. If you will not be using the display as an autopilot controller then you can swap the pilot control keypad with the user configurable lower keypad supplied with the display.

Important:

Do NOT use metallic or sharp objects to remove the keypad or infill piece as this could damage the keypad and/or display.



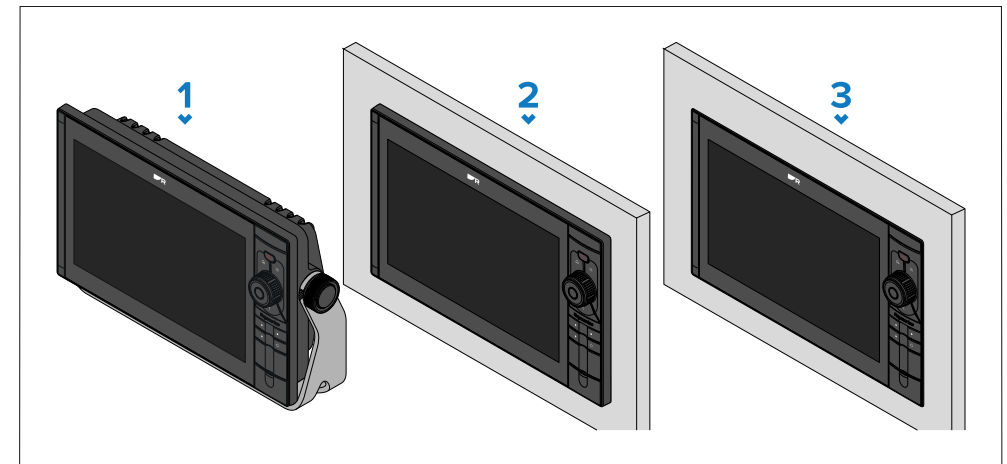
1. Open the card reader door.
2. Axiom 2 Pro 12 and Axiom 2 Pro 16 only — Using a plastic pry tool lever the infill piece located below the lower keypad against the small plastic protrusion to release it from the display.
3. Using a plastic pry tool lever the bottom of the keypad against the small plastic protrusion to release the keypad from the display.



4. Insert one edge of the replacement keypad and then bend the keypad slightly in the middle to allow the other edge to be inserted into the opposite side.
5. Axiom 2 Pro 12 and Axiom 2 Pro 16 only — Insert one edge of the infill piece and then bend the infill piece slightly in the middle to allow the other edge to be inserted into the opposite side.
6. Close the card reader door.

8.2 Mounting options

Axiom® 2 Pro displays can be surface, flush or bracket mounted.



1. Trunnion bracket mounting (used for mounting upright on a surface or can be used for mounting overhead). For installation details refer to: [p.41 – Trunnion mounting](#)
2. Surface mounting (when surface mounted the display bezel will protrude from the mounting surface). For installation details refer to: [p.46 – Surface mounting](#)
3. Flush mounting (when flush mounted the front glass of the display will sit flush with the mounting surface). For installation details refer to: [p.44 – Flush mounting](#)

Legacy MFD adaptor plates are also available to enable you to easily swap out older displays for new Axiom® 2 Pro displays. For a list of available adaptors refer to: [Legacy adaptor plates](#)

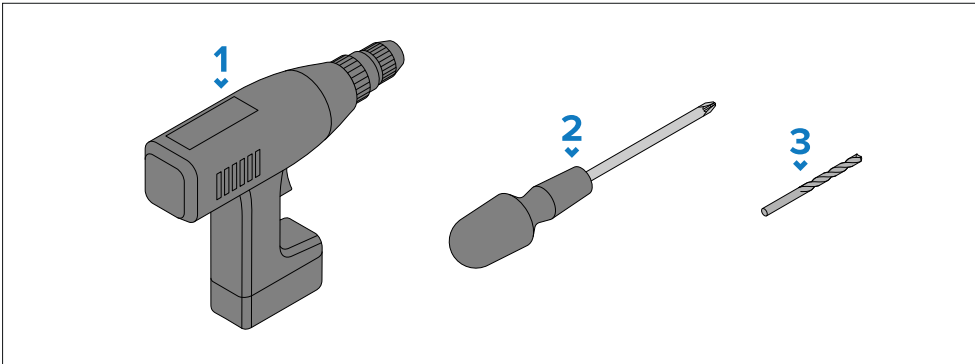
Note:

Replacing a trunnion mounted or surface mounted Axiom® Pro display with a new Axiom® 2 Pro display, **with the exception of the power cable**, is a straight swap with no hole drilling or cutting required.

8.3 Trunnion mounting — Axiom® 2 Pro 9 and Axiom® 2 Pro 12

Tools required (trunnion mount installations)

The following tools are recommended for mounting using a trunnion bracket:



1. Power drill.
2. Screwdriver (appropriate for your fixings).
3. Drill bit (suitable for the material of the mounting surface and the 5.75 mm (0.23 in) diameter mounting holes in the trunnion bracket).

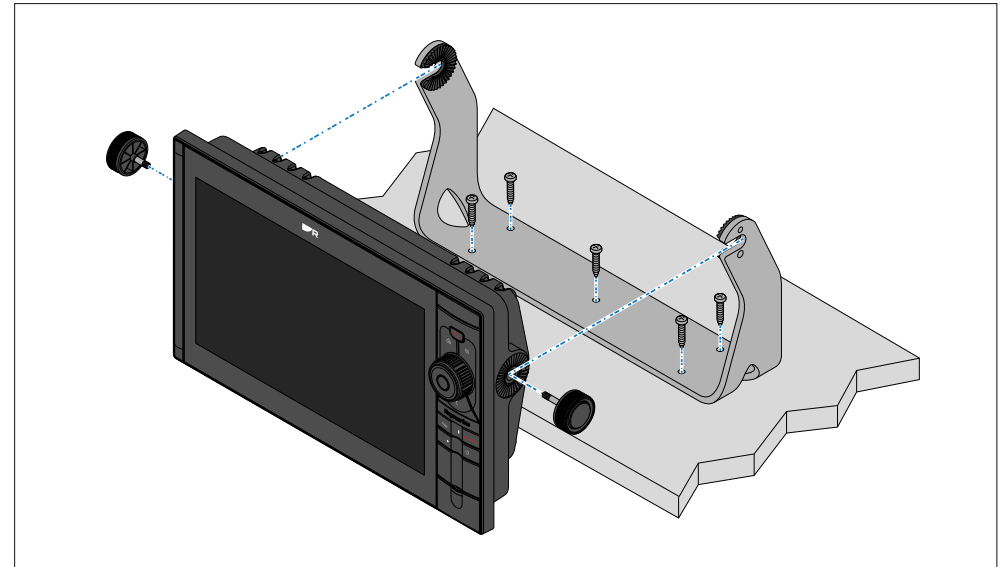
Trunnion bracket mounting

Axiom® 2 Pro displays can be mounted on a trunnion bracket. Axiom® 2 Pro 9 and Axiom® 2 Pro 12 displays are supplied with a trunnion bracket. An optional trunnion bracket kit is available for the Axiom® 2 Pro 16 (part number: A80722).

Note:

Fixings to secure the trunnion bracket to a mounting surface are not provided. 5 x self tapping screws are required. The screws should be suitable for the mounting surface material and the 5.75 mm (0.23 in) diameter mounting holes in the trunnion bracket.

Ensure you have chosen a suitable mounting location for your display, which has sufficient head room to allow the display's angle to be adjusted or the display to be removed if necessary. If installing 'above head' take extra care to ensure the knobs are tightened sufficiently to prevent them coming loose due to vibration when underway.



1. Check the underside of the mounting surface to ensure no damage will be caused by drilling.
2. Check the thickness of the mounting surface to ensure it is sufficient to support the display.

- Using the Trunnion bracket as a template, mark and drill the 5 x pilot holes on the mounting surface.
- Secure the trunnion bracket to the mounting surface using your self tapping screws and an appropriate screwdriver.
- Insert the trunnion knobs into the sides of the display and tighten 3 to 4 turns.
- Slide the display into the trunnion bracket so that the trunnion knob threads are slotted into the recesses in the trunnion bracket.
- Secure the display by fully tightening the trunnion knobs, ensuring that the ratchet teeth are correctly engaged.

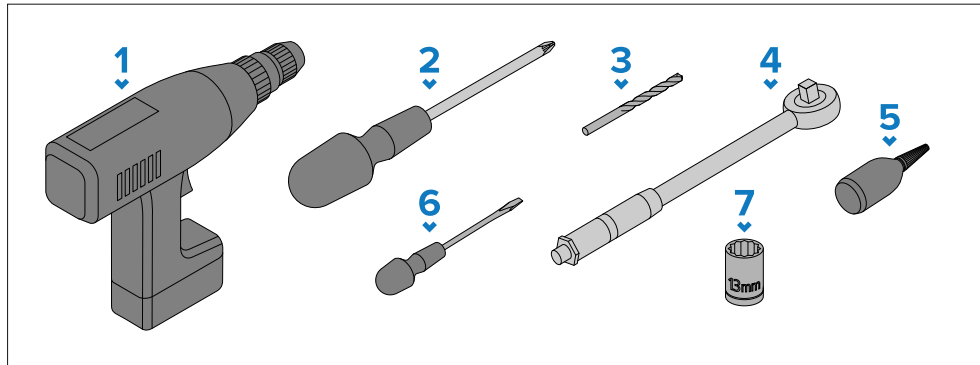
The knobs should be tightened by hand, sufficiently to prevent the display from moving whilst your vessel is underway.

- Route and connect necessary cables.

8.4 Trunnion mounting – Axiom® 2 Pro 16

Tools required (trunnion mount installations)

The following tools are recommended for mounting using a trunnion bracket:



- Power drill.
- Screwdriver (appropriate for your fixings).
- Drill bit (suitable for the material of the mounting surface and the 5.75 mm (0.23 in) diameter mounting holes in the trunnion bracket).
- Torque wrench.
- Loctite® 243, or equivalent threadlocker.

- Small flat blade screwdriver (or plastic pry tool).
- 13 mm (1/2") socket.

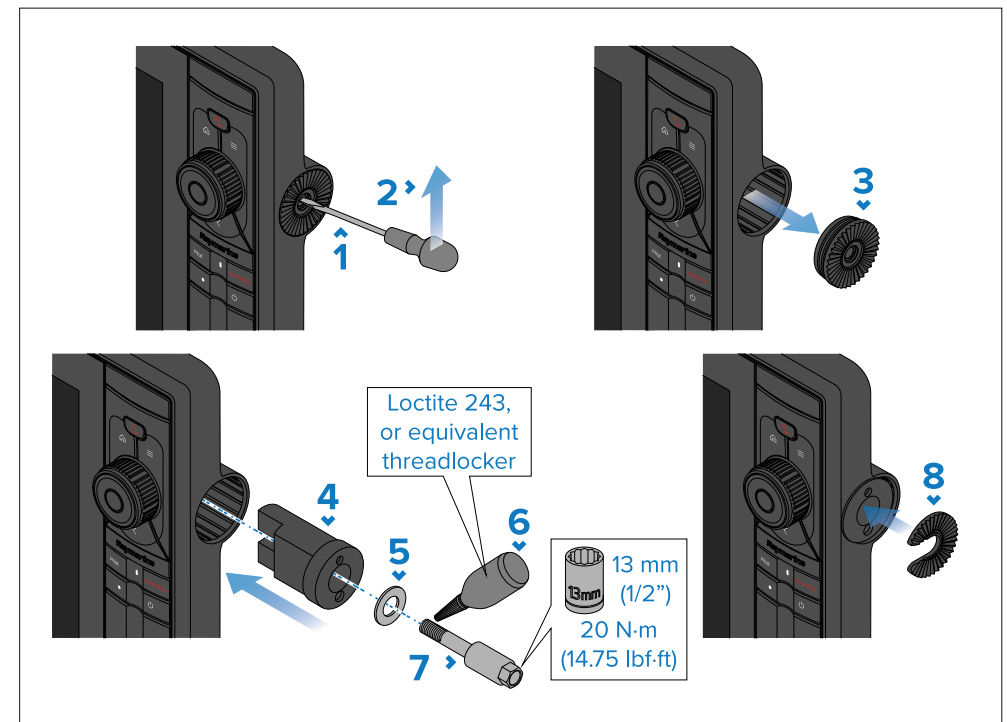
Display trunnion mounting preparation

Axiom® 2 Pro 16 displays are intended to be either surface or flush mounted. An optional Trunnion bracket kit (part number: A80722) is available if trunnion mounting is desired. For trunnion mounting, the display needs to be prepared using the parts supplied in the A80722 kit.

Important:

The display is supplied with rubber trunnion bungs fitted, which must be removed before the display is trunnion mounted. Do NOT attempt to trunnion mount the display using the trunnion bungs.

To prepare the display for trunnion mounting, follow the steps below, **for both sides of the display**:



1. Insert a small flat blade screwdriver or plastic pry tool into the center hole of the Trunnion bung.
2. Lever the tool up or down to release the Trunnion bung.
3. Remove the Trunnion bung.
4. Insert the Spacer piece into the display with the flat edge facing forward.

Important:

Do NOT fit the ratchet plate to the spacer before tightening the standoff bolt.

5. Slide the M8 washer over the M8 standoff bolt.
6. Apply Loctite® 243 (or equivalent threadlocker) to the thread of the M8 standoff bolt.
7. Insert the M8 standoff bolt and tighten to 20 N·m (14.75 lbf·ft).

Important:

Overtightening may cause damage.

8. Remove the backing from the self adhesive tape on the rear of the Ratchet plate, and fix to the Spacer secured in the display.

The groove on the ratchet plate should face forwards and the protrusions on the back of the ratchet plate should slot into the recesses in the end of the spacer.

The display can now be trunnion mounted.

Trunnion bracket mounting

Once the display has been prepared using the instructions and parts supplied, it can be mounted using the trunnion bracket as follows:

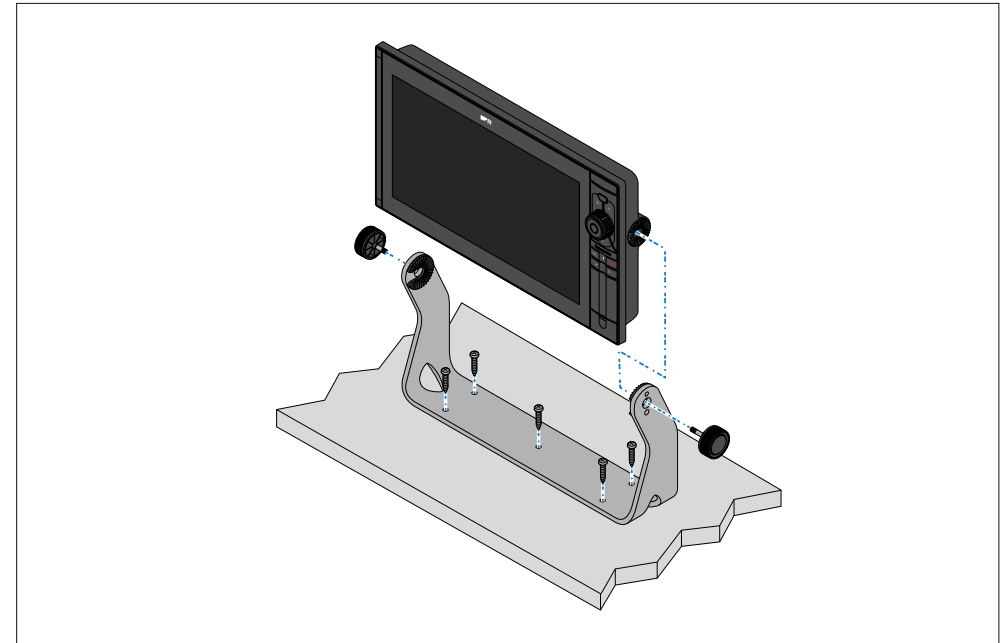
Note:

Fixings to secure the trunnion bracket to a mounting surface are not provided. 5 x self-tapping screws are required. The screws should be suitable for the mounting surface material and the 5.75 mm (0.23 in) diameter mounting holes in the trunnion bracket.

Ensure you have chosen a suitable mounting location for your display, which has sufficient headroom to allow the display's angle to be adjusted, or the display to be removed if necessary. If installing the display 'above head height', take extra care to ensure the knobs are tightened sufficiently to prevent them coming loose due to vibration when underway.

Important:

2 person installation is required.



1. Check the underside of the mounting surface to ensure no damage will be caused by drilling.
2. Check the thickness of the mounting surface to ensure it is sufficient to support the display.
3. Using the Trunnion bracket as a template, mark and drill the 5 x pilot holes on the mounting surface.
4. Secure the Trunnion bracket to the mounting surface using your self-tapping screws and an appropriate screwdriver.
5. One person should align the trunnion holes in the side of the display with the holes in the trunnion bracket.

- The second person should secure the display to the trunnion bracket by inserting and tightening the trunnion knobs, ensuring that the ratchet teeth are correctly engaged.

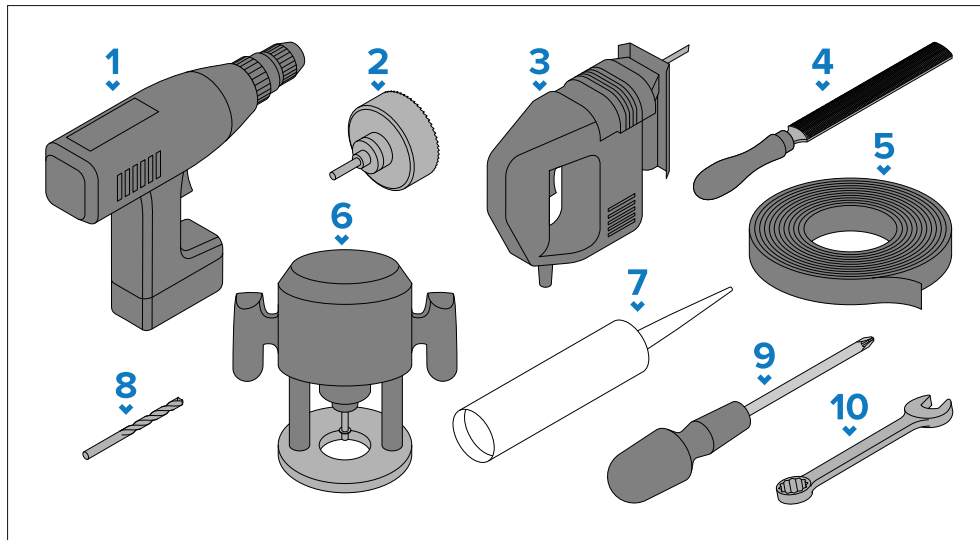
The knobs should be tightened by hand, sufficiently to prevent the display from moving whilst your vessel is underway.

- Route and connect necessary cables.

8.5 Flush mounting

Tools required (flush mount installations)

The following tools are recommended for flush mount installations:



- Power drill.
- Hole cutter (appropriate size for corner diameters of the **Cut out** line identified on the supplied mounting template):
 - 33.00 mm (1.30 in) — Axiom® 2 Pro 9.
 - 37.00 mm (1.47 in) — Axiom® 2 Pro 12.
 - 38.00 mm (1.5 in) — Axiom® 2 Pro 16.
- Jigsaw.

- Half round file (or sandpaper).
- Masking/self adhesive tape.
- Hand router with a router bit an appropriate size for the 11.50 mm (0.52 in) corner diameter required for the flush mount rebate.
- Marine grade sealant.
- Drill bit 3.7 mm ($\frac{5}{32}$ ") for fixing holes.
- Pozi-drive screwdriver.
- 7 mm wrench or small adjustable wrench.

Rear access requirements

Access to the rear of the display and mounting surface is required to surface and flush mount the display.

Ensure there is sufficient access and space behind the mounting surface to attach and tighten the fixings and also to connect the cables.

Preparing the mounting surface — flush mounting

Flush mounting requires the same cut out hole as surface mounting and an additional rebate around the edge of the cut out. When the display is flush mounted the glass/bezel will be flush with the mounting surface.

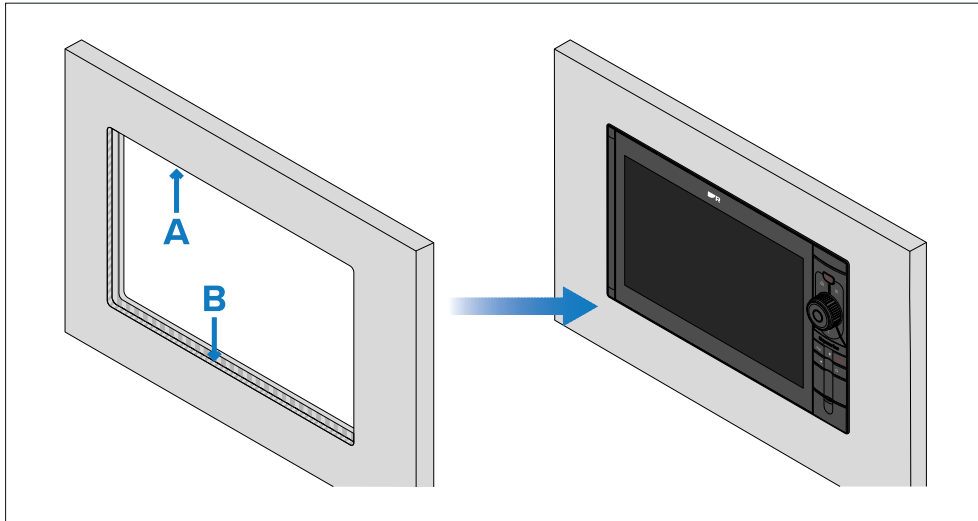
Note:

The following procedure is for preparing the mounting surface for flush mount installations. For surface mounting details refer to: [p.47 — Preparing the mounting surface — surface mounting](#)

Note:

Before preparing the mounting surface ensure that:

- your selected location meets the location requirements. For details refer to: [p.33 — Location requirements](#)
- you have identified cable connections and the route that the cables will take.



- **A** — Cut out (when flush mounting the cut out will be the same size as for surface mounting).
- **B** — Flush mounting requires an extra rebate to recess the display fully in the mounting surface.

Important:

When flush mounting the fixings go through holes drilled in the rebated, and therefore thinnest, part of the mounting surface. Before preparing the mounting surface ensure that sufficient thickness will remain to secure the display.

1. Mark the **Cut out** line identified on the supplied mounting template on the mounting surface.
2. Mark the 4 **hole for fixing screws** locations identified on the supplied mounting template on the mounting surface.
3. Mark the **Rebate for flush mount** line identified on the supplied mounting template on the mounting surface.
4. Use a drill and an appropriate size drill bit or hole cutter to cut out the corners of the **Cut out** line.

The corner diameter for the displays are:

- 33.00 mm (1.30 in) — Axiom® 2 Pro 9.
- 37.00 mm (1.47 in) — Axiom® 2 Pro 12.

- 38.00 mm (1.5 in) — Axiom® 2 Pro 16.

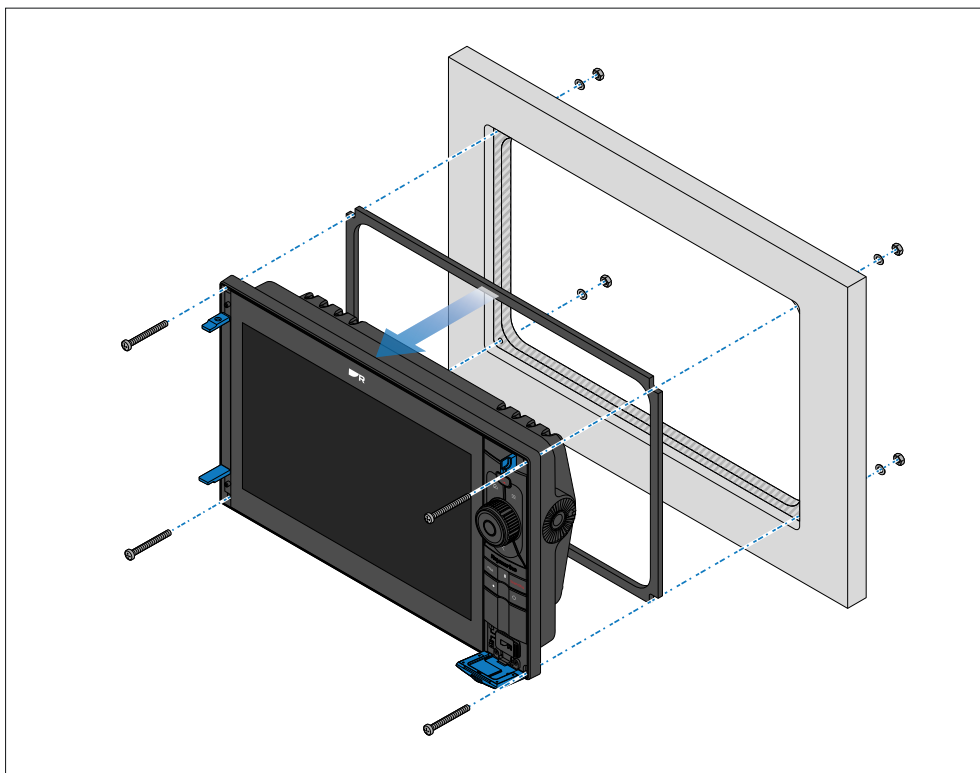
5. Use a jigsaw or similar cutting tool to cut out the remainder of the cut out area.
6. Drill the 4 fixings holes at the marked location using a 3.7 mm ($\frac{5}{32}$ ") drill bit.
7. Use a router hand tool to recess the marked rebate area to a depth of 15.00 mm (0.59 in).
8. Use a half round file and/or sandpaper to smooth and rough edges or burs on the cut out hole.

Flush mounting

Follow the steps below to flush mount the display.

Important:

In above decks installations, marine-grade sealant should be used to seal the gap between the edge of the mounting surface and the edge of the display.



1. Ensure you have followed the instructions for preparing the mounting surface for flush mounting.
2. Route the relevant cables to behind the mounting surface cut out.

This may be difficult or not possible once the display has been mounted.
3. Remove the backing from the supplied gasket and place the sticky side of the gasket onto the flange on the rear of the display and press firmly onto the flange.
4. Connect the relevant cables to the rear of the display.
5. Slide the display into the cut out area.
6. Pull back the 3 corner bungs and open the card reader door.
7. Insert the fixing bolts, attach the washers and nuts from the rear and tighten.
8. Close the 3 corner bungs and the card reader door.

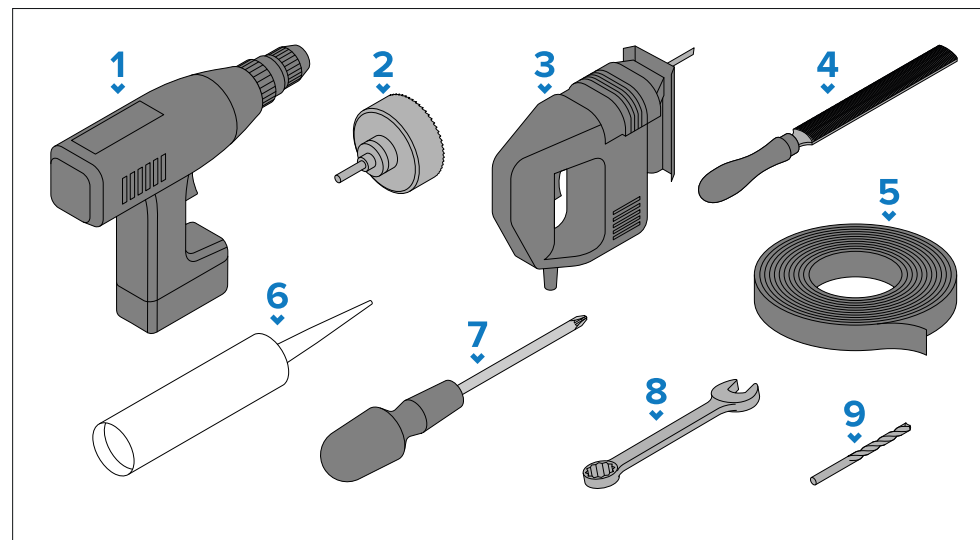
Note:

The supplied gasket provides a seal between the display and a suitably flat and rigid mounting surface or binnacle. The gasket should be used in all installations. It may also be necessary to use a marine-grade sealant if the mounting surface or binnacle is not entirely flat and/or has a rough surface finish.

8.6 Surface mounting

Tools required (surface mount installations)

The following tools are recommended for surface mount installations:



1. Power drill.
2. Hole cutter (appropriate size for corner diameters of the **Cut out** line identified on the supplied mounting template):
 - 33.00 mm (1.30 in) — Axiom® 2 Pro 9.
 - 37.00 mm (1.47 in) — Axiom® 2 Pro 12.
 - 38.00 mm (1.5 in) — Axiom® 2 Pro 16.
3. Jigsaw.
4. Half round file (or sandpaper).
5. Masking/self adhesive tape.

6. Marine grade sealant.
7. Pozi-drive screwdriver.
8. 7 mm wrench or small adjustable wrench.
9. Drill bit 3.7 mm ($\frac{5}{32}$ "") for fixing holes.

Rear access requirements

Access to the rear of the display and mounting surface is required to surface and flush mount the display.

Ensure there is sufficient access and space behind the mounting surface to attach and tighten the fixings and also to connect the cables.

Preparing the mounting surface — surface mounting

Surface mounting requires one cut-out hole. When the display is surface mounted, the glass/bezel will protrude from the mounting surface.

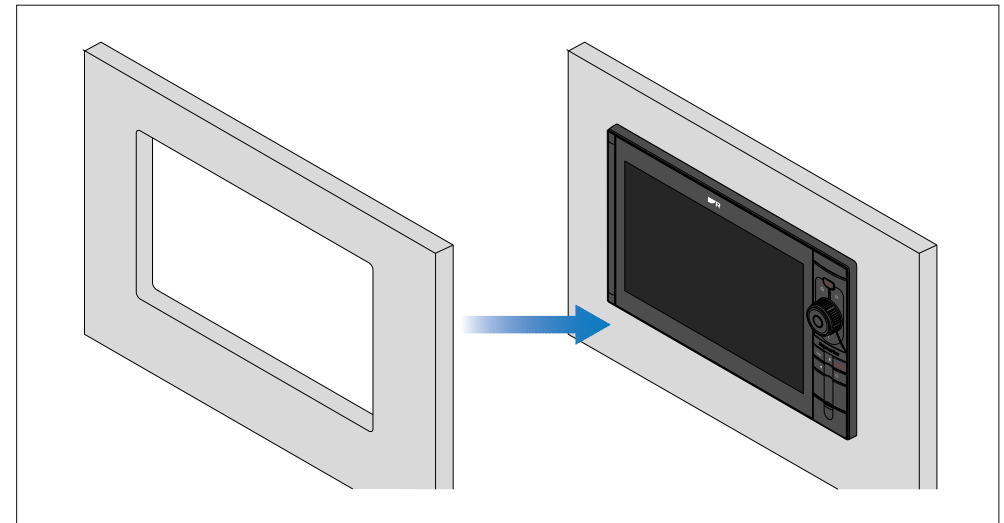
Note:

The following procedure is for preparing the mounting surface for surface mount installations. For flush mounting details, refer to: [p.44 — Preparing the mounting surface — flush mounting](#)

Note:

Before preparing the mounting surface, ensure that:

- your selected location meets the location requirements. For details refer to: [p.33 — Location requirements](#)
- you have identified cable connections and the route that the cables will take.



1. On the mounting surface, mark the **Cut-out** line identified on the supplied mounting template
2. On the mounting surface, mark the 4 **fixing screw hole** locations identified on the supplied mounting template.
3. Use a drill and an appropriate size drill bit or hole cutter to cut out the corners of the **Cut-out** line.

The corner diameters for the displays are:

- 33.00 mm (1.30 in) — Axiom® 2 Pro 9.
- 37.00 mm (1.47 in) — Axiom® 2 Pro 12.
- 38.00 mm (1.5 in) — Axiom® 2 Pro 16.

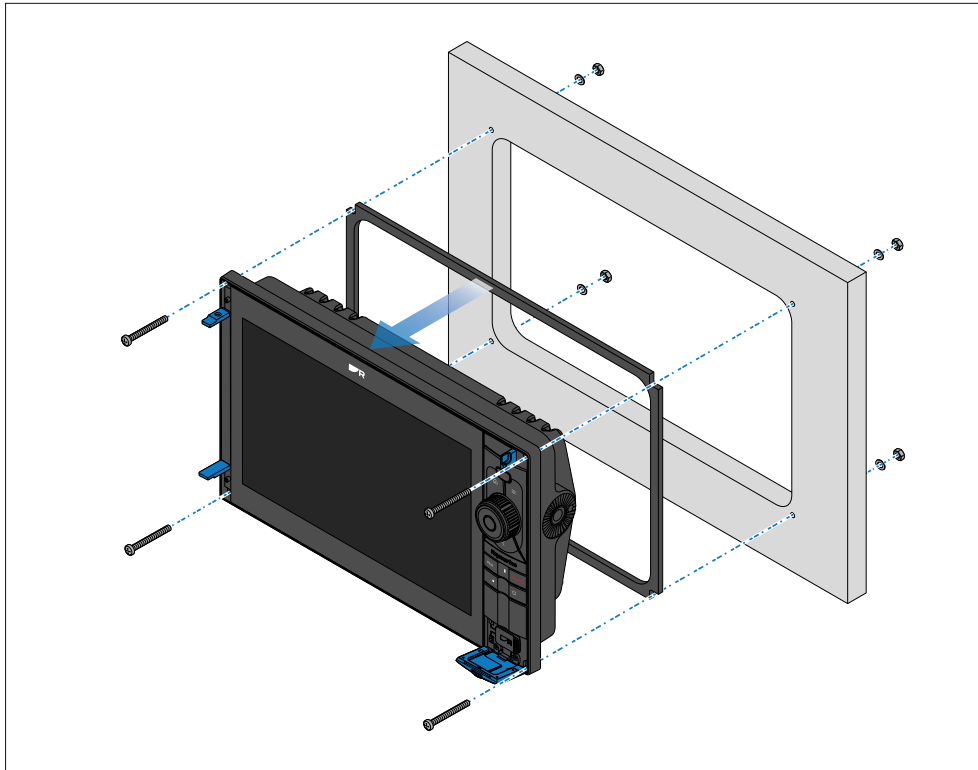
4. Use a jigsaw or similar cutting tool to cut out the remainder of the cut-out area.
5. Drill the 4 fixing holes at the marked location using a 3.7 mm ($\frac{5}{32}$ "") drill bit.
6. Use a half round file and/or sandpaper to smooth and rough edges or burs on the cut-out hole.

Surface mounting

Follow the steps below to surface mount the display.

Important:

In above decks installations, marine-grade sealant should be used to seal the gap between the edge of the mounting surface and the edge of the display.



1. Ensure you have followed the instructions for preparing the mounting surface for surface mounting.
2. Route the relevant cables to behind the mounting surface cut out.
This may be difficult or not possible once the display has been mounted.
3. Remove the backing from the supplied gasket and place the sticky side of the gasket onto the flange on the rear of the display and press firmly onto the flange.

4. Connect the relevant cables to the rear of the display.
5. Slide the display into the cut out area.
6. Pull back the 3 corner bungs and open the card reader door.
7. Insert the fixing bolts, attach the washers and nuts from the rear and tighten.
8. Close the 3 corner bungs and the card reader door.

Note:

The supplied gasket provides a seal between the display and a suitably flat and rigid mounting surface or binnacle. The gasket should be used in all installations. It may also be necessary to use a marine-grade sealant if the mounting surface or binnacle is not entirely flat and/or has a rough surface finish.

CHAPTER 9: CABLES AND CONNECTIONS — GENERAL INFORMATION

CHAPTER CONTENTS

- 9.1 General cabling guidance — page 50
- 9.2 Connections overview — RVM variant displays — page 51
- 9.3 Connections overview — S variant displays — page 51
- 9.4 Connecting cables — page 52
- 9.5 Bare end wire connections — page 52

9.1 General cabling guidance

Cable types and length

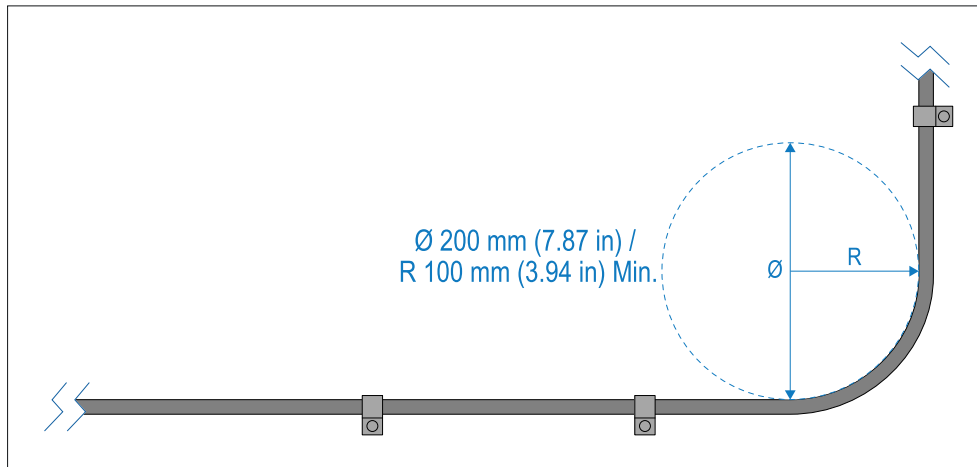
It is important to use cables of the appropriate type and length.

- Unless otherwise stated only use cables supplied by Raymarine.
- Where it is necessary to use non-Raymarine cables, ensure that they are of correct quality and gauge for their intended purpose. (e.g.: longer power cable runs may require larger wire gauges to minimize voltage drop along the run).

Cable routing

Cables must be routed correctly, to maximize performance and prolong cable life.

- Do NOT bend cables excessively. Wherever possible, ensure a minimum bend diameter (\emptyset) of 200 mm (7.87 in) / minimum bend radius (R) of 100 mm (3.94 in).



- Protect all cables from physical damage and exposure to heat. Use trunking or conduit where possible. Do NOT run cables through bilges or doorways, or close to moving or hot objects.
- Secure cables in place using cable clips or cable ties. Coil any excess cable and tie it out of the way.
- Where a cable passes through an exposed bulkhead or deckhead, use a suitable watertight feed-through.

- Do NOT run cables near to engines or fluorescent lights.
- Always route data cables as far away as possible from:
 - Other equipment and cables.
 - High current carrying AC and DC power lines.
 - Antennas.

Strain relief

Use adequate strain relief for cabling to ensure that connectors are protected from strain and will not pull out under extreme sea conditions.

Circuit isolation

Appropriate circuit isolation is required for installations using both AC and DC current:

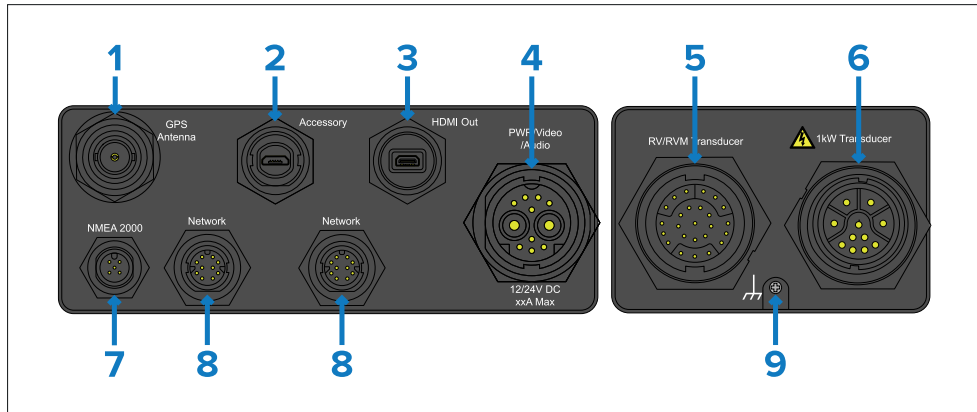
- Always use isolating transformers or a separate power-inverter to run PC's, processors, displays and other sensitive electronic instruments or devices.
- Always use an isolating transformer with Weather FAX audio cables.
- Always use an isolated power supply when using a 3rd party audio amplifier.
- Always use an RS232/NMEA converter with optical isolation on the signal lines.
- Always make sure that PC's or other sensitive electronic devices have a dedicated power circuit.

Cable shielding

Ensure that cable shielding is not damaged during installation and that all cables are properly shielded.

9.2 Connections overview — RVM variant displays

The following connections are available on Axiom® 2 Pro **RVM** variant displays:

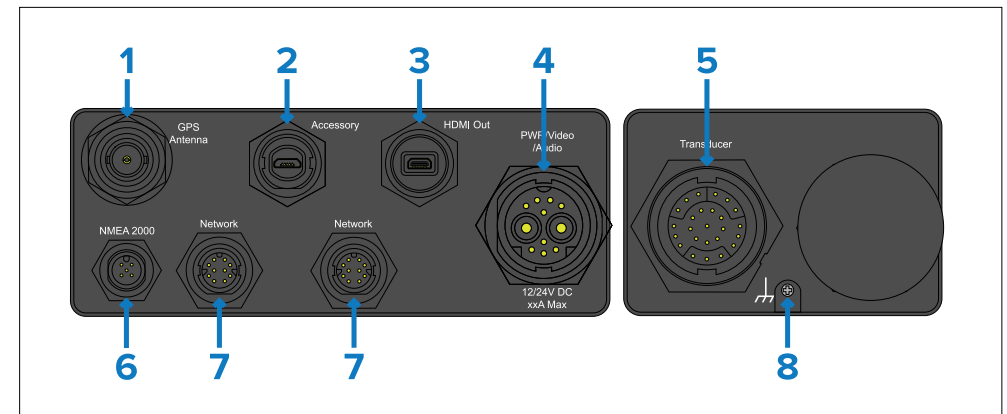


1. **GPS Antenna** — The GPS antenna connector enables connection of an optional external passive GNSS (GPS) antenna (e.g.: GA200 part number A80589).
2. **Accessory** — The accessory connector enables connection of an external card reader such as the RCR-SD/USB (part number A80440).
3. **HDMI Out** — The Micro HDMI out connector enables connection of an external HDMI monitor or HDTV using the Micro HDMI (Type D) to HDMI cable (part number A80723). The monitor mirrors the display's screen.
4. **PWR|Video|Audio** — The power/video/audio connector provides a connection to a 12 / 24 V dc power supply, an analog video input via BNC connector, and analog audio output via RCA connectors.
5. **RV/RVM Transducer** — The RV/RVM transducer connection can be used to connect RealVision™ Max 3D or RealVision™ 3D transducers (also allows connection of DownVision™, SideVision™ or CPT-S CHIRP conical beam transducers via an adapter cable).
6. **1kW Transducer** — The 1kW transducer connection can be used to connect CHIRP / Traditional (up to 1kW) transducers.
7. **NMEA 2000** — The NMEA 2000 connector enables connection to a SeaTalkng® or NMEA 2000 network using the supplied SeaTalkng® to DeviceNet adaptor cable or a suitable DeviceNet cable.

8. **Network** — The 2 x network connectors enable connection of RayNet devices.
9. **Ground** — The optional grounding point should only be used when the display experiences touchscreen interference from nearby equipment. The grounding point should be connected to the same RF ground point as the interfering equipment, or the vessel's negative battery terminal.

9.3 Connections overview — S variant displays

The following connections are available on Axiom® 2 Pro **S** variant displays:



1. **GPS Antenna** — The GPS antenna connector enables connection of an optional external passive GNSS (GPS) antenna (e.g.: GA200 part number A80589).
2. **Accessory** — The accessory connector enables connection of an external card reader such as the RCR-SD/USB (part number A80440).
3. **HDMI Out** — The Micro HDMI out connector enables connection of an external HDMI monitor or HDTV using the Micro HDMI (Type D) to HDMI cable (part number A80723). The monitor mirrors the display's screen.
4. **PWR|Video|Audio** — The power/video/audio connector provides a connection to a 12 / 24 V dc power supply, an analog video input via BNC connector, and analog audio output via RCA connectors.
5. **Transducer** — The transducer connection can be used to connect a CPT-S CHIRP conical beam transducer via an adapter cable.

Note: You can NOT connect RealVision™ Max 3D, RealVision™ 3D, DownVision™ or SideVision™ transducers to an **S** variant display.

6. **NMEA 2000** — The NMEA 2000 connector enables connection to a SeaTalkng® or NMEA 2000 network using the supplied SeaTalkng® to DeviceNet adaptor cable or a suitable DeviceNet cable.
7. **Network** — The 2 x network connectors enable connection of RayNet devices.
8. **Ground** — The optional grounding point should only be used when the display experiences touchscreen interference from nearby equipment. The grounding point should be connected to the same RF ground point as the interfering equipment, or the vessel's negative battery terminal.

9.4 Connecting cables

Follow the steps below to connect the cable(s) to your product.

1. Ensure that the vessel's power supply is switched off.
2. Ensure that the device being connected has been installed in accordance with the installation instructions supplied with that device.
3. Ensuring correct orientation, push cable connectors fully onto the corresponding connectors.
4. Engage any locking mechanism to ensure a secure connection (e.g.: turn locking collars clockwise until tight, or in the locked position).
5. Ensure any bare ended wire connections are suitably insulated to prevent shorting and corrosion due to water ingress.

9.5 Bare end wire connections

You must ensure that any bare end wires are adequately protected from short circuit and water ingress.

Bare ended wire connections

It is recommended that bare ended wire connections are made by soldering or using crimp connectors and then protected by wrapping the connection in insulation tape.

Unused bare ended wires

Any unused bare ended wires should be folded back and wrapped in insulation tape.

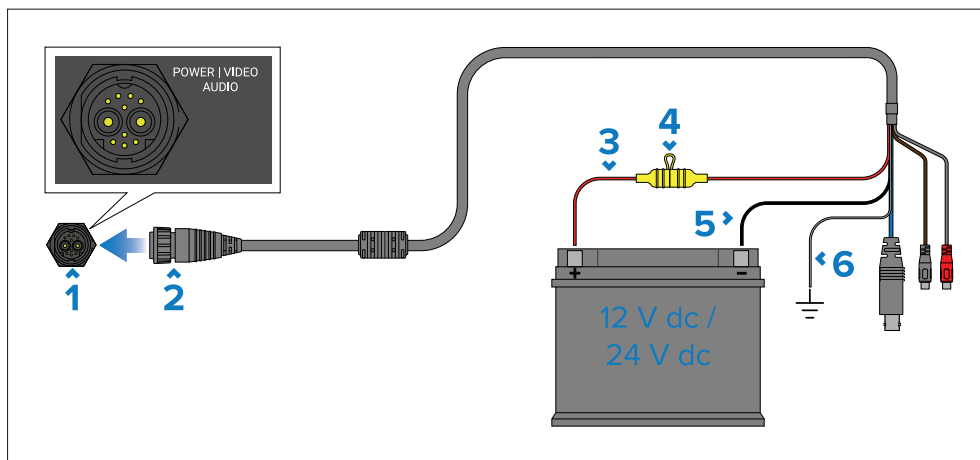
CHAPTER 10: POWER CONNECTIONS

CHAPTER CONTENTS

- 10.1 Power connection — page 54
- 10.2 Power distribution — page 54
- 10.3 Grounding — optional grounding point — page 57

10.1 Power connection

The supplied power cable is connected to the **PWR/Video/Audio** connector located on the rear of the display. The power cable must then be connected to a 12 V dc or 24 V dc power supply; this can be achieved by connecting to a distribution panel, or directly to a battery. The product is protected against reverse polarity.



1. Display's **PWR/Video/Audio** connector.
2. Power/video/audio cable 1.5 m (4.9 ft).
3. Positive (Red) wire connects to the power supply's positive (+) terminal.
4. Fuse.
5. Negative wire connects to the power supply's negative (-) terminal.
6. Drain wire connects to RF ground point, if no ground point is available connect to the battery negative (-) terminal.

Note:

- Axiom® 2 Pro displays are supplied with a Power/video/audio cable that has a straight connector. A right angled connector cable is also available (part number: R70887).
- The original Axiom® Power/Video/NMEA 0183 cables cannot be used with Axiom® 2 Pro displays.

Inline fuse and thermal breaker ratings

The following inline fuse and thermal breaker ratings apply to your product:

Inline fuse rating	Thermal breaker rating
15 A	15 A (if only connecting one device)

Note:

- The suitable fuse rating for the thermal breaker is dependent on the number of devices you are connecting. If in doubt consult an authorized Raymarine dealer.
- Your product's power cable may have a fitted inline fuse. If not, you must fit an inline fuse to the positive wire of your product's power connection.

Caution: Power supply protection

When installing this product ensure the power source is adequately protected by means of a suitably-rated fuse or thermal circuit breaker.

10.2 Power distribution

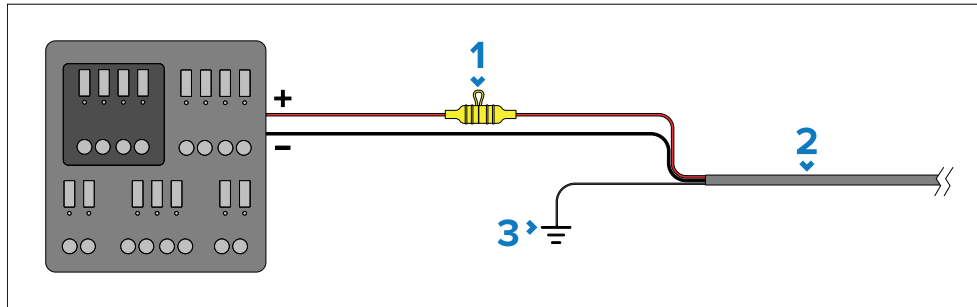
Recommendations and best practice for the power connection of products supplied with a drain wire as part of the supplied power cable.

- The product is supplied with a power cable, either as a separate item or a captive cable permanently attached to the product. Only use the power cable supplied with the product. Do NOT use a power cable designed for, or supplied with, a different product.
- Refer to the *Power connection* section for more information on how to identify the wires in your product's power cable, and where to connect them.
- See below for more information on implementation for some common power distribution scenarios:

Important:

- When planning and wiring, take into consideration other products in your system, some of which (e.g. sonar modules) may place large power demand peaks on the vessel's electrical system, which may impact the voltage available to other products during the peaks.
- The information provided below is for guidance only, to help protect your product. It covers common vessel power arrangements, but does NOT cover every scenario. If you are unsure how to provide the correct level of protection, please consult an authorized dealer or a suitably qualified professional marine electrician.

Implementation — connection to distribution panel (Recommended)

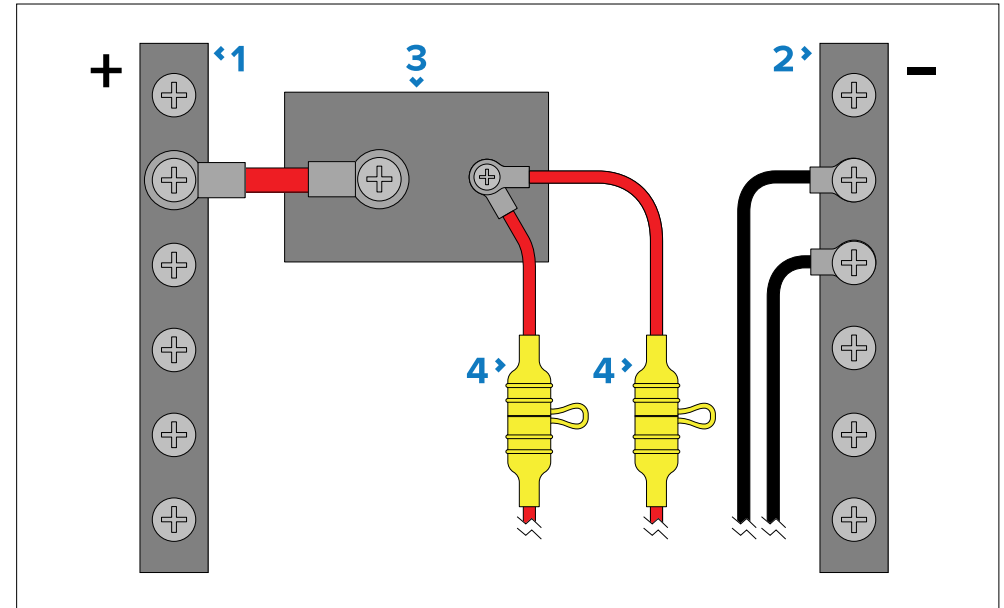


Item	Description
1	Waterproof fuse holder containing a suitably-rated inline fuse must be fitted. For suitable fuse rating, refer to: <i>Inline fuse and thermal breaker ratings</i> .
2	Product power cable.
3	Drain wire connection point.

- It is recommended that the supplied power cable is connected to a suitable breaker or switch on the vessel's distribution panel or factory-fitted power distribution point.
- The distribution point should be fed from the vessel's primary power source by 8 AWG (8.36 mm²) cable.
- Ideally, all equipment should be wired to individual suitably-rated thermal breakers or fuses, with appropriate circuit protection. Where this is not possible and more than 1 item of equipment shares a breaker, use

individual inline fuses for each power circuit to provide the necessary protection.

- The power cable supplied with your product includes a drain wire, which must be connected to the vessel's common RF ground.



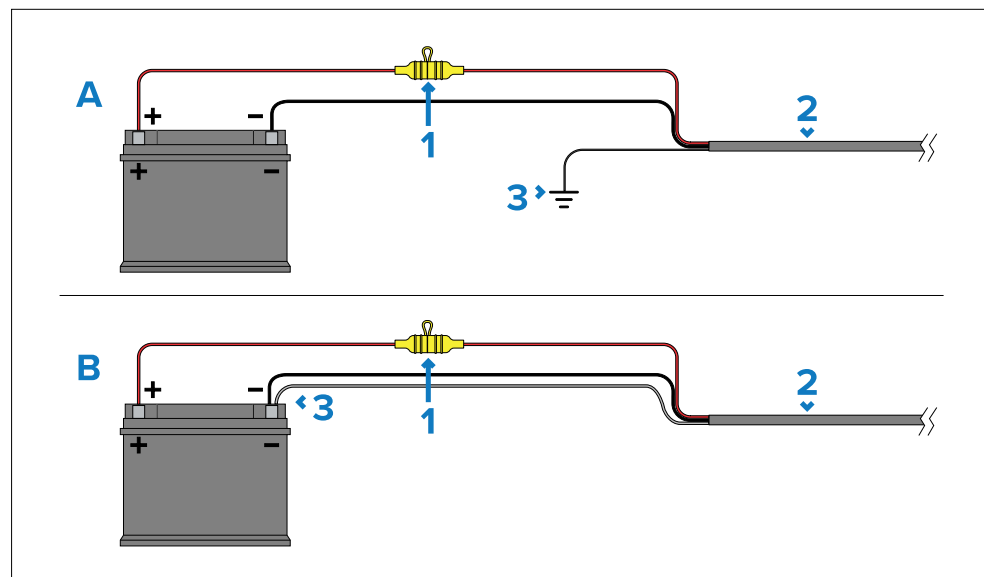
Item	Description
1	Positive (+) bar
2	Negative (-) bar
3	Circuit breaker
4	Waterproof fuse holder containing a suitably-rated inline fuse must be fitted. For suitable fuse rating, refer to: <i>Inline fuse and thermal breaker ratings</i> .

Important:

Observe the recommended fuse / breaker ratings provided in the product's documentation, however be aware that the suitable fuse / breaker rating is dependent on the number of devices being connected.

Implementation — direct connection to battery

- Where connection to a power distribution panel is not possible, the power cable supplied with your product may be connected directly to the vessel's battery, via a suitably rated fuse or breaker.
- If the power cable is NOT supplied with a fitted inline fuse, you MUST fit a suitably rated fuse or breaker between the red wire and the battery's positive terminal.
- Refer to the inline fuse ratings provided in the product's documentation.
- If you need to extend the length of the power cable supplied with your product, ensure you observe the dedicated *Power cable extensions* advice provided in the product's documentation.



Item	Description
1	Waterproof fuse holder containing a suitably-rated inline fuse must be fitted. For suitable fuse rating, refer to: <i>Inline fuse and thermal breaker ratings</i> .
2	Product power cable.
3	Drain wire connection point.

Battery connection scenario A:

Suitable for a vessel with a common RF ground point. In this scenario, the power cable's drain wire should be connected to the vessel's common ground point.

Battery connection scenario B:

Suitable for a vessel without a common grounding point. In this case, the power cable's drain wire should be connected directly to the battery's negative terminal.

Grounding

Ensure that you observe any additional grounding advice provided in the product's documentation.

More information

It is recommended that best practice is observed in all vessel electrical installations, as detailed in the following standards:

- BMEA Code of Practice for Electrical and Electronic Installations in Boats
- NMEA 0400 Installation Standard
- ABYC E-11 AC & DC Electrical Systems on Boats
- ABYC A-31 Battery chargers and Inverters
- ABYC TE-4 Lightning Protection



Warning: Product grounding

Before applying power to this product, ensure it has been correctly grounded, in accordance with the instructions provided.



Warning: Positive ground systems

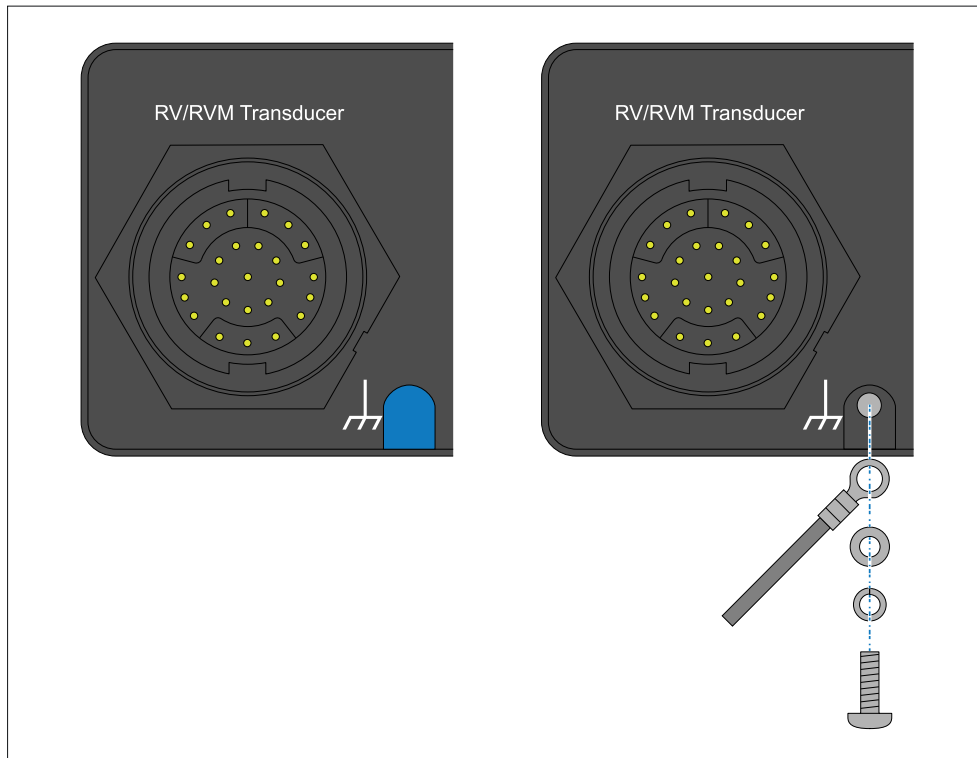
Do not connect this unit to a system which has positive grounding.

10.3 Grounding — optional grounding point

Frequencies emitted from equipment such as switch mode power supplies or MF/HF transmitters etc. can cause interference with your display's touchscreen. If you experience issues with touchscreen performance, fitting an additional dedicated ground connection can resolve the issue.

Important:

The ground point should **ONLY** be connected when touchscreen interference is observed.



Use a small flat blade screwdriver to remove the grounding screw hole cover. Connect one end of the ground wire (not supplied) to your display using the supplied crimp, washer and screw.

Connect the other end of the ground wire to either the vessel's RF ground point, or on vessels without an RF ground system, the negative battery terminal.

The dc power system should be either:

- Negative grounded, with the negative battery terminal connected to the vessel's ground; or
- Floating, with neither battery terminal connected to the vessel's ground.

If several items require grounding, they may first be connected to a single local point (e.g. within a switch panel), with this point connected via a single, appropriately-rated conductor, to the vessel's common RF ground point.

Implementation

The preferred minimum requirement for the path to ground is via a flat tinned copper braid, with a 30 A rating (1/4 inch) or greater. If this is not possible, an equivalent stranded wire conductor may be used, rated as follows:

- for runs of <1 m (3 ft), use 6 mm² (#10 AWG) or greater.
- for runs of >1 m (3 ft), use 8 mm² (#8 AWG) or greater.

In any grounding system, always keep the length of connecting braid or wires as short as possible.

References

- ISO10133/13297
- BMEA code of practice
- NMEA 0400

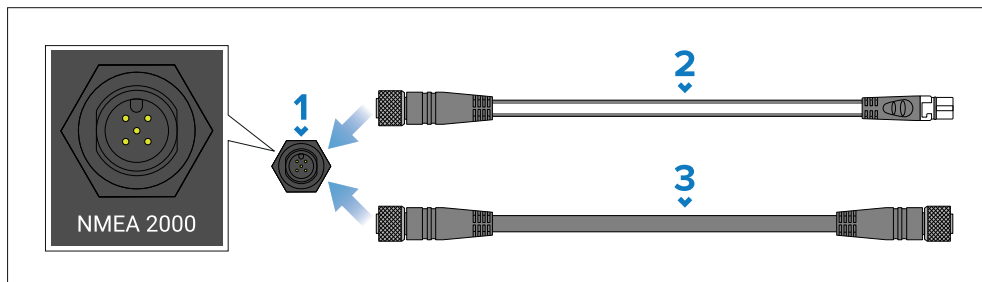
CHAPTER 11: NETWORK CONNECTIONS

CHAPTER CONTENTS

- 11.1 NMEA 2000 / SeaTalkng connection — page 59
- 11.2 NMEA 0183 connection — page 59
- 11.3 Network connection — page 60

11.1 NMEA 2000 / SeaTalkng connection

The display can be connected to a NMEA 2000 / SeaTalkng® network by connecting a spur cable to the **NMEA 2000** (DeviceNet) connector located on the rear of the display.



1. Display's **NMEA 2000** (DeviceNet) connector.
2. Use the supplied DeviceNet to SeaTalkng® adaptor cable to connect to a SeaTalkng® network backbone.
3. Alternatively you can connect to a NMEA 2000 backbone using a standard DeviceNet cable (not supplied).

Note:

1. SeaTalkng® and NMEA 2000 devices must be connected to a correctly terminated backbone.
2. SeaTalkng® and NMEA 2000 devices can not be connected directly to the display.
3. Refer to the instructions supplied with your SeaTalkng® or NMEA 2000 device for details on creating a backbone.

Refer to [Chapter 24 Spares and accessories](#) for a list of available SeaTalkng® cables.

11.2 NMEA 0183 connection

The display can transmit and receive NMEA 0183 data when using a compatible NMEA 2000 to NMEA 0183 converter, such as the Actisense® NGW-1 converter (part number: A80721), connected to the same [NMEA 2000] / SeaTalkng® network as the display.

Important:

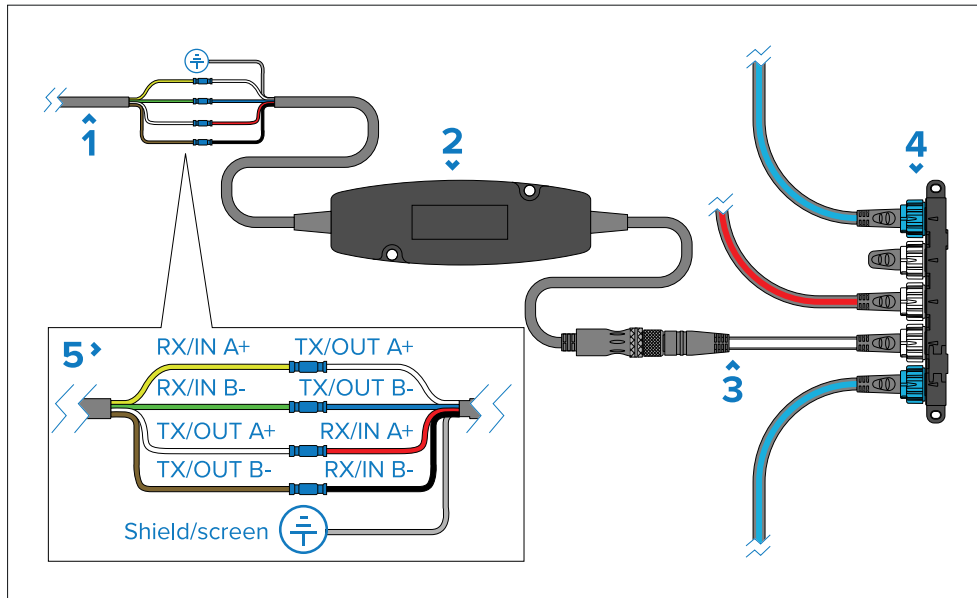
Ensure all devices are powered off before making connections.

Connect the converter to your NMEA 2000 or SeaTalkng® network, using either a DeviceNet to SeaTalkng® adaptor cable, or a DeviceNet cable as appropriate. Then, connect the converter's NMEA 0183 bare wires to the relevant wires on your NMEA 0183 device, and crimp and insulate the wires.

Note:

The details below are provided as an example of how to connect a device using the Actisense® NGW-1 converter (A80721). Depending on your NMEA 0183 device, you may require a different converter. The converter and device wire colors may also vary from those shown. Refer to the instructions supplied with your NMEA 0183 device and your converter to identify correct signal connections.

Example NMEA 0183 device connection using the Actisense® NGW-1 converter



1. Device NMEA 0183 wires.
2. NMEA 2000 to NMEA 0183 converter (e.g. Actisense® NGW-1 converter, A80721).
3. SeaTalkng™ (female) to DeviceNet (female) adaptor cable (e.g. A06045 or A06075).
4. SeaTalkng™ network (requires dedicated 12 V dc power supply).
5. NMEA 0183 wire connections. It is recommended that wire connections are made using crimps and then insulated using insulation tape.

Converter signal (wire color)	NMEA 0183 device signal
TX/OUT A+ (White)	RX/IN A+
TX/OUT B- (Blue)	RX/IN B-
RX/IN A+ (Red)	TX/OUT A+
RX/IN B- (Black)	TX/OUT B-
Shield/Screen	Vessel Ground

If your NMEA 0183 device has only 3 NMEA 0183 wires, the connection will differ from that described above. Please see below for alternative wiring:

Connect to receiving device

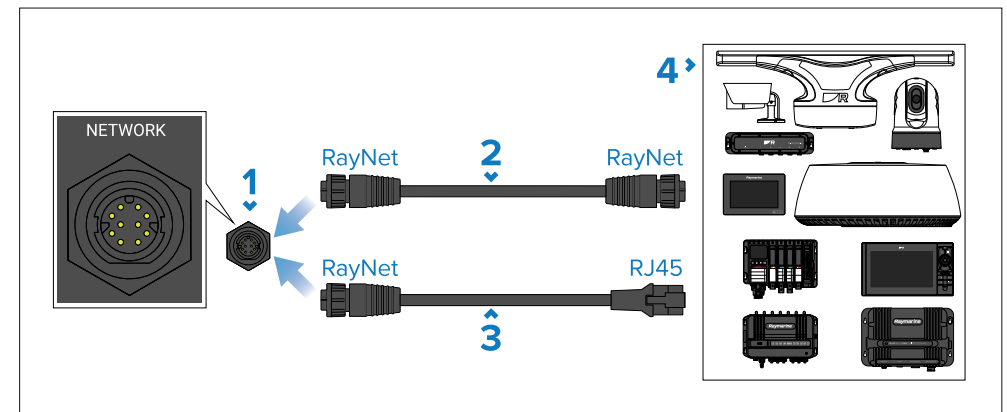
Converter signal (wire color)	Receiving NMEA 0183 device signal
TX/OUT A+ (White)	RX/IN
TX/OUT B- (Blue)	NOT CONNECTED
Shield/Screen	Vessel Ground

Connect to transmitting device

Converter signal (wire color)	Transmitting NMEA 0183 device signal
RX/IN A+ (Red)	TX/OUT
RX/IN B- (Black)	Vessel Ground
Shield/Screen	Vessel Ground

11.3 Network connection

The display can be connected to compatible network products by connecting a network cable between the product and one of the **NETWORK** connectors located on the rear of the display. Alternatively, the display can be connected to a network switch, e.g.: RNS-5, or the YachtSense™ Link marine router.



1. Display's **NETWORK** connector.

2. RayNet to RayNet cable — Connect one end of the RayNet cable to your display, and the opposite end to a RayNet device or RayNet network switch.
3. RayNet to RJ45 adapter cable — Connect the RayNet end of the cable to your display, and the opposite end to a network device with an RJ45 connector, or an RJ45 coupler.
4. Example compatible network devices with RayNet or RJ45 connectors (e.g.: Radar scanners, Sonar modules, Displays, Network switches, Cameras etc).

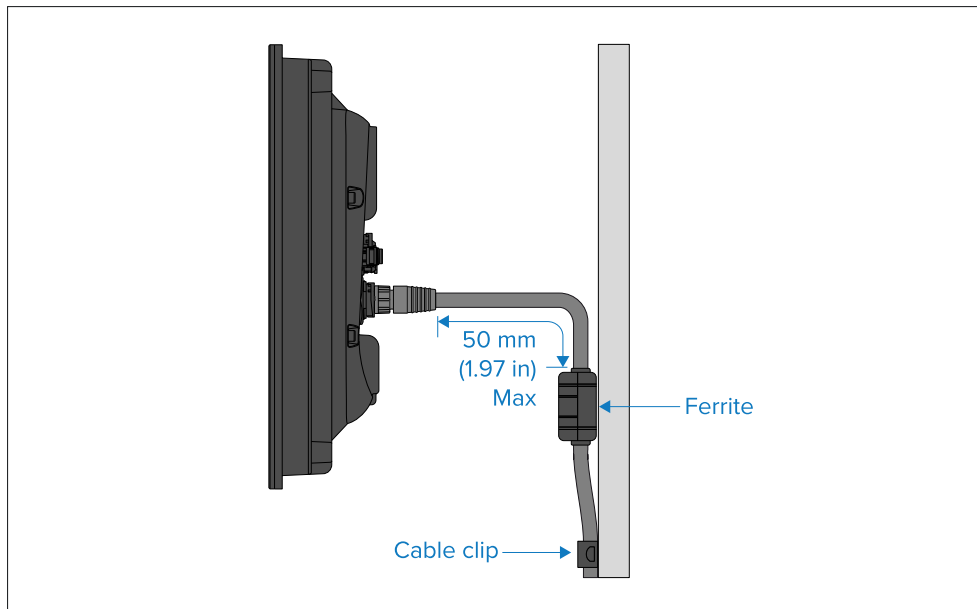
For a list of available network cables refer to [Chapter 24 Spares and accessories](#)

Cable suppression ferrites

To ensure optimum EMC performance and to comply with applicable EMC regulations all RayNet cables connected to this product must have a suppression ferrite fitted.

Three suppression ferrites are included with your display, one for each RayNet connection.

Fit a ferrite to each RayNet cable as shown below:



- Cable clips (not supplied) should be used to support the cable and ferrite.
- If you need to remove a ferrite for any reason, ensure it is replaced in its original location before using the product.
- If the ferrite moves freely once fitted use cable ties (not supplied) above and below the ferrite to secure it in place.

CHAPTER 12: TRANSDUCER CONNECTIONS - AXIOM 2 PRO RVM

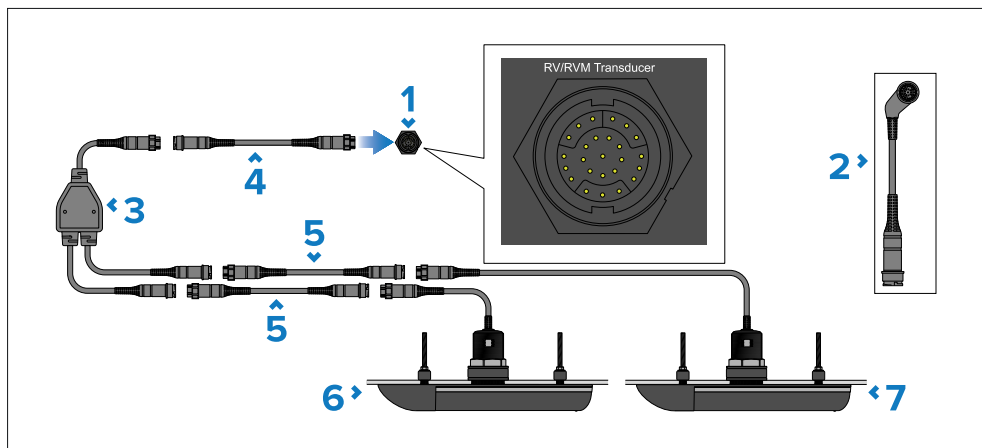
CHAPTER CONTENTS

- 12.1 RealVision transducer connection — page 63
- 12.2 SideVision, DownVision and CPT-S transducer connection — page 64
- 12.3 CHIRP transducer connection — page 64
- 12.4 Traditional transducer connection — page 65

12.1 RealVision transducer connection

RealVision™ 3D and RealVision™ Max 3D transducers can be connected directly to the display's 25-pin **RV/RVM Transducer** connection using the cable(s) supplied with the transducers.

Example — RealVision Max 3D split pair transducer connections



1. Display's **RV/RVM Transducer** 25-pin connector.
2. Optional right angled adaptor (part number: A80515) supplied separately (used to reduce the space required behind display).
3. 'Y' cable (supplied with split pair transducer packs)
4. 8 m (26.2 ft) extension cable (supplied with split pair transducer packs)
5. Optional extension cables can be fitted between the transducer and 'Y' cable if required, or between supplied extension cable and display.
6. Transducer, e.g.: RVM-412 Port.
7. Transducer, e.g.: RVM-412 Starboard.

For a list of compatible RealVision™ Max 3D transducers refer to:

[p.21 — RealVision™ Max 3D transducers](#)

For a list of compatible RealVision™ 3D transducers refer to:

[p.21 — RealVision™ 3D transducers](#)



Warning: Maximum transducer cable length

The maximum length of cable between a RealVision™ Max 3D transducer and a MFD/sonar module (including the transducer's captive cable) must NOT exceed 18 m (59 ft). Cable lengths greater than this may cause damage to the RealVision™ Max 3D transducer and MFD/sonar module.



Warning: Transducer cables

Do not remove the transducer cable whilst the product is powered on, doing so can cause sparks. If the transducer cable is accidentally removed whilst the product is powered on, switch the product's power off, replace the cable and then switch the power back on.

Caution: Do not cut transducer cables

- Cutting the transducer cable severely reduces sonar performance. If the cable is cut, it must be replaced, it cannot be repaired.
- Cutting the transducer cable will void the warranty and invalidate the European CE mark.

RealVision transducer extension cables

Your transducer is supplied with a fitted cable, for some installations (including all split-pair transducer installations) it may be necessary to extend the length of the transducer cable.

Note:

- For best performance, cable runs should be kept to a minimum.
- Only use Raymarine® transducer extension cables.

Raymarine® offers the following optional extension cables are available:

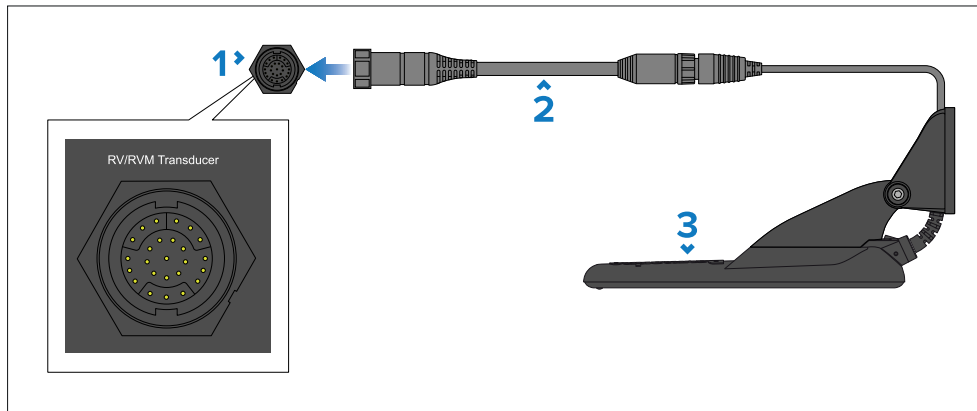
- RealVision™ transducer extension cable 3 m (9.8 ft) (part number A80475)
- RealVision™ transducer extension cable 5 m (16.4 ft) (part number A80476)
- RealVision™ transducer extension cable 8 m (26.2 ft) (part number A80477)

Split pair transducers: Extension cables fitted between the transducer and the ‘Y’ cable must be fitted in equal length pairs (i.e.: each transducer’s final cable length must be the same).

12.2 SideVision, DownVision and CPT-S transducer connection

SideVision™, DownVision™ and CPT-S transducers can be connected to the display’s **RV/RVM Transducer** connection using the RV 25-pin to DV 9-pin adaptor cable (part number: A80490).

Example DownVision™ transducer connection



1. Display’s **RV/RVM Transducer** 25-pin connector.
2. RV 25-pin to DV 9-pin adaptor cable (part number: A80490).
3. Transducer (DownVision™ transducer illustrated).

For a list of compatible SideVision™ transducers refer to:
[p.22 – SideVision™ transducers](#)

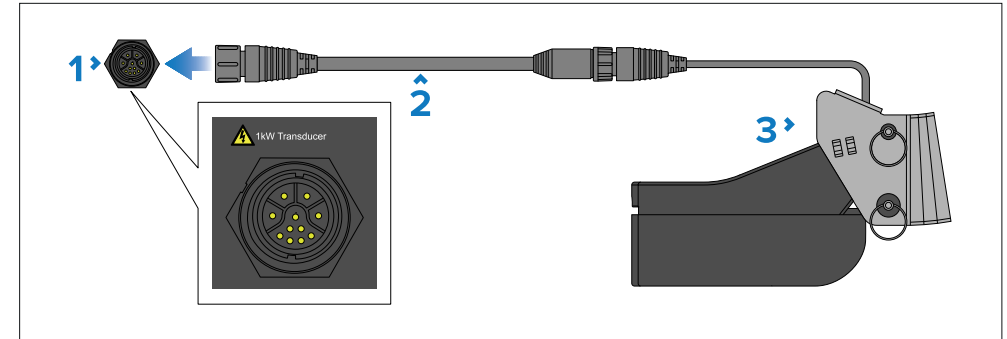
For a list of compatible DownVision™ transducers refer to:
[p.23 – DownVision™ transducers](#)

For a list of compatible CPT-S transducers refer to:
[p.23 – CPT-S conical beam transducers](#)

12.3 CHIRP transducer connection

CHIRP transducers can be connected directly to the display’s 11-pin **1kW Transducer** connection. B75 & B175 transducers require an operation cable (part number: A80328).

Example CHIRP transducer connection

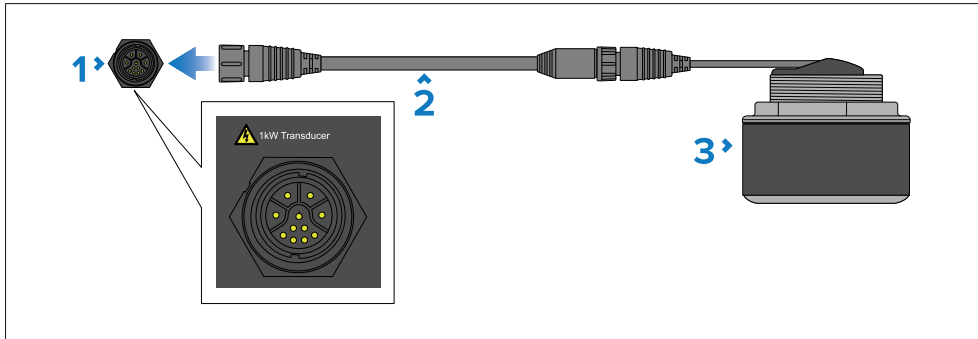


1. Display’s **1kW Transducer** 11-pin connector.
2. Operation cable (part number: A80328) is required for B75 & B175 transducers.
3. CHIRP transducer.

For a list of compatible CHIRP transducers refer to: [p.23 – CHIRP transducers](#)

12.4 Traditional transducer connection

Traditional transducers can be connected to the display's 11-pin **1kW Transducer** connection using the 11-pin to 8-pin adaptor cable (part number: A80496).



1. Display's **1kW Transducer** 11-pin connector.
2. 11-pin to 8-pin adaptor cable (part number: A80496).
3. Traditional transducer.

For a list of compatible traditional transducers refer to:
[p.25 – Traditional transducers](#)

CHAPTER 13: TRANSDUCER CONNECTIONS - AXIOM 2 PRO S

CHAPTER CONTENTS

- [13.1 CPT-S transducer connection — page 67](#)

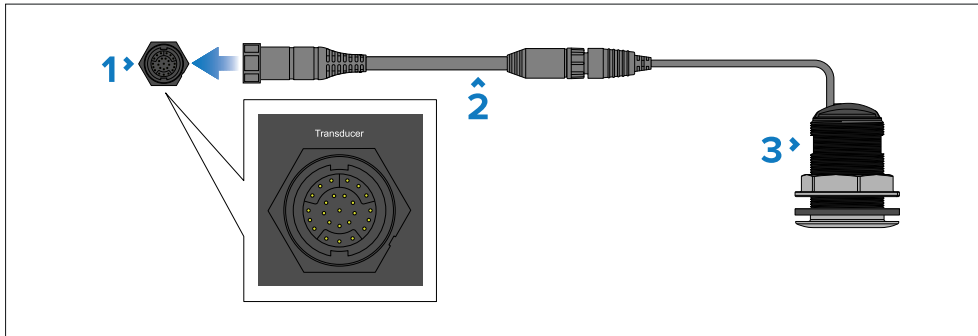
13.1 CPT-S transducer connection

CPT-S transducers can be connected to the display's **Transducer** connection using the RV 25-pin to DV 9-pin adaptor cable (part number: A80490).

Note:

You **CANNOT** connect RealVision™ Max 3D, RealVision™ 3D, DownVision™ or SideVision™ transducers to an **S** variant display.

Example CPT—S transducer connection



1. Display's **Transducer** 25-pin connector.
2. RV 25-pin to DV 9-pin adaptor cable (part number: A80490).
3. CPT-S transducer.

For a list of compatible CPT-S transducers refer to:
[p.23 – CPT-S conical beam transducers](#)

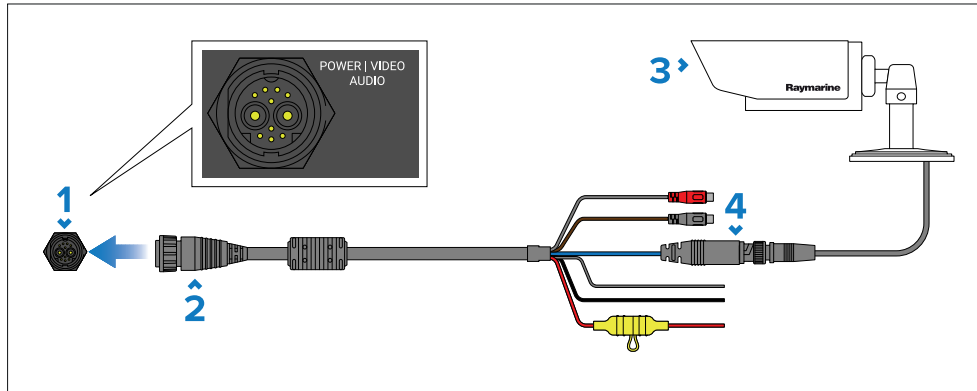
CHAPTER 14: VIDEO CONNECTIONS

CHAPTER CONTENTS

- [14.1 Analog video connection — page 69](#)
- [14.2 HDMI Out connection — page 69](#)

14.1 Analog video connection

Analog video feeds from sources such as a Thermal camera or Security camera can be connected to your display by connecting the device to the BNC connector on the display's power/video/audio cable. The video feed can be viewed using the Video app.



1. Display's **PWR/Video/Audio** connector.
2. Power/Video/Audio cable (supplied with your display).
3. Analog video device.
4. Analog video BNC connector.

For installation details, refer to the documentation provided with your analog video device.

14.2 HDMI Out connection

You can view the display's screen and output audio to an external High Definition display such as a HDTV or HD monitor by connecting it to the micro HDMI connector located on the rear of the display using the Micro HDMI (Type D) to HDMI accessory cable (part number A80723). The display screen can then be viewed by switching the HDTV's or HD monitor's source to the HDMI connection you connected your display to. You could also connect the HDMI out connection to a sound system that has a HDMI input connection.

The supported screen resolutions for the HDMI output are:

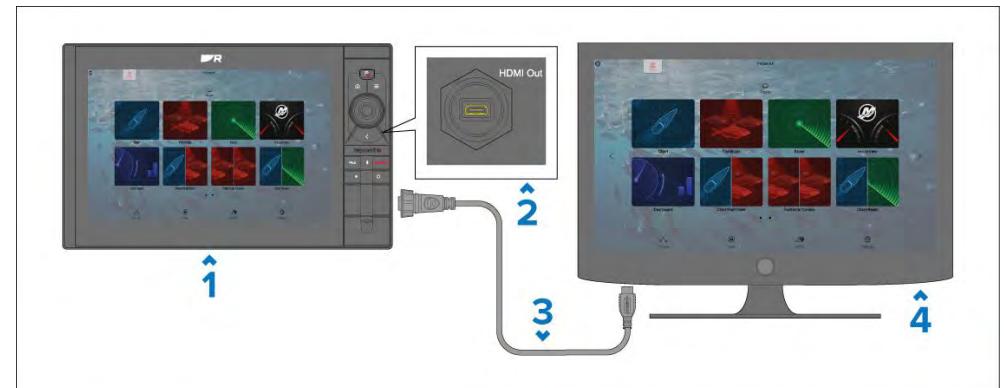
- 720 x 480p @ 60 Hz

- 720 x 576p @ 50 Hz
- 1280 x 720p @ 50 Hz / 60 Hz
- 1920 x 1080p @ 50 Hz / 60 Hz

The standard HDMI connector is connected to the HDTV or HD monitor and the Micro HDMI connector is connected to the **HDMI Out** connector on the rear of the display.

Note:

- The maximum supported cable length is 20 m (65.6 ft).
- Ensure that the locking collar is used to secure the connection to the display.



1. Display.
2. Display's **HDMI Out** connector.
3. Micro HDMI (Type D) to HDMI accessory cable (part number A80723) — Not supplied.
4. HDTV or HD monitor.

CHAPTER 15: AUDIO CONNECTIONS

CHAPTER CONTENTS

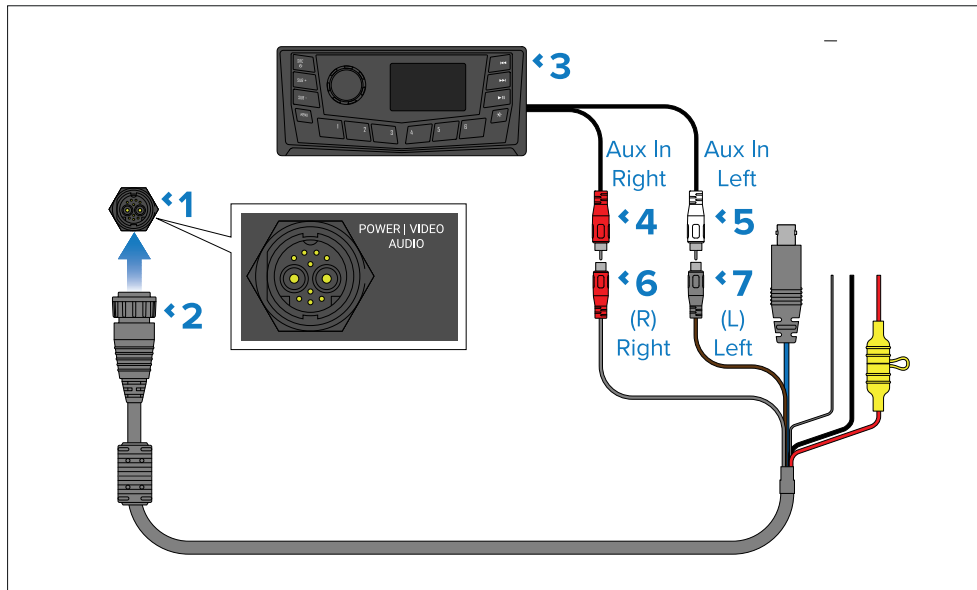
- [15.1 Audio \(RCA\) connections — page 71](#)

15.1 Audio (RCA) connections

The display can output audio from installed 3rd party apps, such as Netflix and Spotify by connecting the **RCA Audio** connectors on the display's Power/audio/video cable to an audio input on an amplifier or entertainment system.

Note:

Audio output requires an external amplifier or entertainment system.



1. Display's **PWR/Video/Audio** connector.
2. Power/video/audio cable 1.5 m (4.9 ft).
3. Entertainment system with built-in amplifier.
4. Right auxiliary input RCA (usually red male connector).
5. Left auxiliary input RCA (usually white or black male connector).
6. Right RCA output (red female connector).
7. Left RCA output black female connector)

Note:

Audio can also be output by connecting a Bluetooth speaker to the display. For instructions on pairing a Bluetooth speaker refer to the operations instructions for your display (Document number: 81406).

A Bluetooth speaker will take priority over RCA audio (i.e.: if both are connected audio will only be output from the Bluetooth speaker. In this scenario to output from RCA audio instead switch the Bluetooth speaker off).

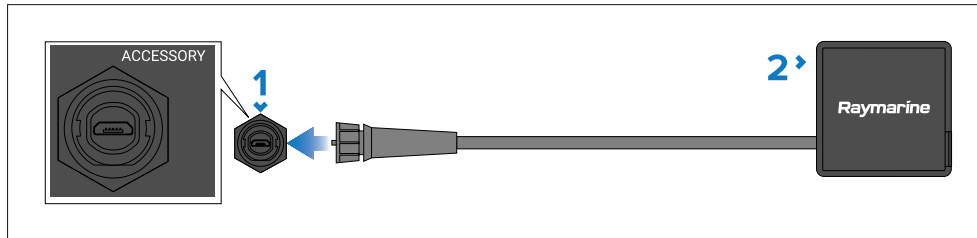
CHAPTER 16: USB CONNECTIONS

CHAPTER CONTENTS

- [16.1 Accessory connection — page 73](#)

16.1 Accessory connection

Axiom® 2 Pro displays include a built in dual slot MicroSD card reader. The **Accessory** connector can be used to expand storage capabilities by connecting an external memory card reader or external storage device to the display.



1. **ACCESSORY** connector.
2. Accessory device:
 - **RCR-SDUSB** (part number: A80440) — Includes 1x SD card slot (or MicroSD card when using an SD card adaptor) and 1x USB (Type A connector) (e.g. for connection of an external USB hard drive or pen / flash drive). The USB slot on the RCR-SDUSB can also supply 0.5A of current to charge mobile devices.
 - **RCR-1** (part number A80585) — Includes 1x MicroSD card slot.
 - **Bulkhead Mount Micro USB Socket** (part number: A80630) — Includes 1x Micro USB (Type Micro A connector) (e.g. for connection of an external USB hard drive or pen / flash drive; an additional adaptor may be required for the connection of some USB devices).
- To save screenshots (.png files), *[External SD]* or *[External USB]* must be selected as the *[Screenshot File]* location on the *[This display]* tab in the main display settings menu (accessible from Homescreen).
- To save video (.mov files), *[External SD]* or *[External USB]* must be selected as the *[Save Files]* location on the *[Photo & Video recording]* tab in the Video app settings menu.

For installation details for these devices, please refer to the instructions provided with your accessory.



Warning: USB device power

Do NOT connect any device to the product's USB connection that requires an external power source.

CHAPTER 17: GPS ANTENNA CONNECTION

CHAPTER CONTENTS

- [17.1 GNSS \(GPS\) antenna connection — page 75](#)

17.1 GNSS (GPS) antenna connection

For installations where the display does not have a clear view of the sky, or where a position fix is not possible or unreliable due to structure or other obstacles, a passive antenna (such as the GA200, part number A80589) can be connected to improve the performance of the display's internal GNSS (GPS) receiver. The antenna is connected to the **GPS Antenna** connector located on the rear of the display.



1. Passive GNSS (GPS) antenna:
 - **GA200** (part number: A80589); or:
 - **GA150** (part number: A80288)
2. **GPS Antenna** connector.

For installation details, refer to the documentation provided with your GNSS (GPS) antenna.

CHAPTER 18: MAINTAINING YOUR DISPLAY

CHAPTER CONTENTS

- [18.1 Service and maintenance — page 77](#)
- [18.2 Product cleaning — page 77](#)

18.1 Service and maintenance

This product contains no user serviceable components. Please refer all maintenance and repair to authorized Raymarine dealers. Unauthorized repair may affect your warranty.



Warning: High voltage

This product contains high voltage. Do NOT remove covers or attempt to access internal components, unless specifically instructed in the documentation provided.



Warning: FCC Warning (Part 15.21)

Changes or modifications to this equipment not expressly approved in writing by Raymarine Incorporated could violate compliance with FCC rules and void the user's authority to operate the equipment.

Caution: Sun covers

- If your product is supplied with a sun cover, to protect against the damaging effects of ultraviolet (UV) light, always fit the sun cover when the product is not in use.
- To avoid potential loss, sun covers must be removed when travelling at high speed, whether in water or when the vessel is being towed.

Routine equipment checks

It is recommended that you perform the following routine checks, on a regular basis, to ensure the correct and reliable operation of your equipment:

- Examine all cables for signs of damage or wear and tear.
- Check that all cables are securely connected.

18.2 Product cleaning

Best cleaning practices.

When cleaning products:

- Switch off power supply.
- Use a clean damp cloth to wipe clean.
- Do NOT use: abrasive, acidic, ammonia, solvent or other chemical based cleaning products.
- Do NOT use a jet wash.

Cleaning the display case

The display is a sealed unit and does not require regular cleaning. If it is necessary to clean the display, follow this basic procedure:

1. Switch off the power to the display.
2. Wipe the case with a clean, lint-free cloth.
3. If necessary, use a mild detergent to remove grease marks.

Cleaning the display screen

A coating is applied to the display screen. This makes it water repellent, and prevents glare. To avoid damaging this coating, follow this procedure:

1. Switch off the power to the display.
2. Rinse the screen with fresh water to remove all dirt particles and salt deposits.
3. Allow the screen to dry naturally.
4. If any smears remain, very gently wipe the screen with a clean microfibre cleaning cloth.

Cleaning the sun cover

The supplied sun cover features an adhesive surface. In certain conditions unwanted contaminants may stick to this surface. To avoid damaging the monitor display, clean the sun cover regularly following this procedure:

1. Carefully remove the sun cover from the display.
2. Rinse the sun cover with fresh water to remove all dirt particles and salt deposits.
3. Allow the sun cover to dry naturally.

CHAPTER 19: TROUBLESHOOTING

CHAPTER CONTENTS

- 19.1 Troubleshooting — page 79
- 19.2 Power up troubleshooting — page 79
- 19.3 GNSS (GPS) troubleshooting — page 80
- 19.4 Sonar troubleshooting — page 81
- 19.5 Wi-Fi troubleshooting — page 83
- 19.6 Touchscreen troubleshooting — page 86
- 19.7 Miscellaneous troubleshooting — page 86

19.1 Troubleshooting

The troubleshooting section provides possible causes and the corrective action required for common problems that are associated with the installation and operation of your product.

Before packing and shipping, all Raymarine® products are subjected to comprehensive testing and quality assurance programs. If you do experience problems with your product, this section will help you to diagnose and correct problems to restore normal operation.

If after referring to this section you are still having problems with your product, please refer to the *Technical support* section of this manual for useful links and Raymarine® Product Support contact details.

19.2 Power up troubleshooting

Product does not turn on or keeps turning off

Possible causes	Possible solutions
Blown fuse / tripped breaker.	<ol style="list-style-type: none">1. Check condition of relevant fuses and breakers and connections, replace if necessary. (Refer to the <i>Technical Specification</i> section of your product's installation instructions for fuse ratings.)2. If fuse keeps blowing check for cable damage, broken connector pins or incorrect wiring.
Poor / damaged / insecure power supply cable / connections	<ol style="list-style-type: none">1. Check that the power cable connector is correctly orientated and fully inserted into the display connector and locked in position.2. Check the power supply cable and connectors for signs of damage or corrosion, and replace if necessary.3. With the display turned on, try flexing the power cable near to the display connector to see if this causes the unit to restart or lose power. Replace if necessary.4. Check the vessel's battery voltage and the condition of the battery terminals and power supply cables, ensuring connections are secure, clean and free from corrosion. Replace if necessary.5. With the product under load, using a multi-meter, check for high voltage drop across all connectors / fuses etc, and replace if necessary.
Incorrect power connection	The power supply may be wired incorrectly, ensure the installation instructions have been followed.

Product will not start up (restart loop)

Possible causes	Possible solutions
Power supply and connection	See possible solutions from the table above, entitled 'Product does not turn on or keeps turning off'.
Software corruption	<ol style="list-style-type: none">1. In the unlikely event that the product's software has become corrupted, try downloading and installing the latest software from the Raymarine website.2. On display products, as a last resort, attempt to perform a 'Power on Reset'. Be aware that this will delete all settings / presets and user data (such as waypoints and tracks), and revert the unit back to factory defaults.

Performing a power on reset on an Axiom® Pro display

Important:

Before performing a power on reset ensure you have backed up your settings and user data to a memory card.

1. Switch off power at the breaker to ensure that the display is completely powered off, and not in Standby mode. Alternatively, remove the power cable from the display.
2. Within approximately 10 seconds of powering on your display, press and hold the *[Back]* and *[Switch active]* buttons until the screen goes black and the Raymarine logo appears.
The display will boot into Recovery mode.
3. Use the directional controls to highlight *[Wipe data/factory reset]*.
4. Press *[Ok]*.
5. Select *[Yes]* to restore your display to factory default settings.
6. When 'Data wipe complete' is displayed, select *[Reboot system]* now.

19.3 GNSS (GPS) troubleshooting

Problems with the GNSS (GPS) and their possible causes and solutions are described here. Your position fix coordinates are displayed in the status area located in the top left corner of the Homescreen.

No position fix

Possible causes	Possible solutions
Display installation location (e.g.: installed below decks or in close proximity to equipment which may cause interference).	Connect an external passive GNSS (GPS) antenna such as the GA200 to the display GPS antenna connection.
Internal GNSS (GPS) receiver disabled.	<p>When using your product's internal GNSS (GPS) receiver, ensure that it is enabled in the relevant settings menu.</p> <p>To access the relevant menu, select the status area located in the top left corner of the Homescreen and select <i>[Satellites]</i> and then select the <i>[Settings]</i> tab, locate the Internal GPS option and ensure it is enabled.</p>
External GNSS (GPS) receiver connection fault.	When using an external GNSS (GPS) receiver, ensure that connections are secure and that the cabling is free from damage.

Possible causes	Possible solutions
External GNSS (GPS) receiver or antenna location (e.g.: installed below decks or in close proximity to equipment which may cause interference).	Ensure the GNSS (GPS) receiver or antenna has a clear unobstructed view of the sky. Refer to the documentation supplied with your external receiver / antenna and ensure location requirements have been adhered to.
Geographic location or prevailing conditions preventing satellite fix.	Check periodically to see if a fix is obtained in better conditions or another geographic location.

19.4 Sonar troubleshooting

Problems that can be encountered with your sonar module and possible causes and solutions are described here.

Note:

Your product requires an external sonar module to be connected to enable use of the Fishfinder app.

This troubleshooting guide assumes that you have a compatible transducer connected to your external sonar module, which is correctly networked to your display.

Scrolling image is not being displayed:

Possible causes	Possible solutions
Sonar disabled	Select [<i>Ping Enable</i>] from the Sonar app's Sounder menu.
Incorrect transducer selected	Check that the correct transducer is selected in the Sonar app's Transducer menu.

Possible causes	Possible solutions
Damaged cables	<ol style="list-style-type: none"> 1. Check that the transducer cable connector is fully inserted and locked in position. 2. Check the power supply cable and connectors for signs of damage or corrosion, replace if necessary. 3. With the unit turned on, try flexing the cable near to the display connector to see if this causes the unit to re-boot/lose power, replace if necessary. 4. Check the vessel's battery voltage, the condition of the battery terminals and power supply cables, ensuring connections are secure, clean and free from corrosion, replace if necessary. 5. With the product under load, using a multi-meter, check for high voltage drop across all connectors/fuses etc (this can cause the Sonar applications to stop scrolling or the unit to reset/turn off), replace if necessary.
Damaged or fouled transducer	Check the condition of the transducer ensuring it is not damaged and is free from debris/fouling, clean or replace as necessary.
Wrong transducer fitted	Ensure the transducer is compatible with your system.
External sonar module: / RayNet network problem.	<ul style="list-style-type: none"> • Check that the unit is correctly connected to the multifunction display or Raymarine network switch. If a crossover coupler or other coupler cable / adapter is used, check all connections ensuring connections are secure, clean and free from corrosion, replace if necessary.
External sonar module: Software mismatch between equipment may prevent communication.	Ensure all Raymarine products contain the latest available software, check the Raymarine website: www.raymarine.com/software for software compatibility.

No depth reading / lost bottom lock:

Possible causes	Possible solutions
Transducer location	Check that the transducer has been installed in accordance with the instructions provided with the transducer.
Transducer angle	If the transducer angle is too great the beam can miss the bottom, adjust transducer angle and recheck.
Transducer kicked-up	If the transducer has a kick-up mechanism, check that it has not kicked up due to hitting an object.
Power source insufficient	With the product under load, using a multi-meter, check the power supply voltage as close to the unit as possible to establish actual voltage when the current is flowing. (Check your product's Technical specification for power supply requirements.)
Damaged or fouled transducer	Check the condition of the transducer ensuring it is not damaged and is free from debris / fouling.

Possible causes	Possible solutions
Damaged cables	<ol style="list-style-type: none"> 1. Check the unit's connector for broken or bent pins. 2. Check that the cable connector is fully inserted into the unit and that the locking collar is in the locked position. 3. Check the cable and connectors for signs of damage or corrosion, replace if necessary. 4. With the unit turned on, try flexing the power cable near to the display connector to see if this causes the unit to re-boot/loose power, replace if necessary. 5. Check the vessel's battery voltage, the condition of the battery terminals and power supply cables, ensuring connections are secure, clean and free from corrosion, replace if necessary. 6. With the product under load, using a multi-meter, check for high voltage drop across all connectors/fuses etc (this can cause the Sonar applications to stop scrolling or the unit to reset/turn off), replace if necessary.
Vessel speed too high	Slow vessel speed and recheck.
Bottom too shallow or too deep	The bottom depth may be outside of the transducers depth range, move vessel to shallower or deeper waters as relevant and recheck.

Poor / problematic image

Possible causes	Possible solutions
Vessel stationary	Fish arches are not displayed if the vessel is stationary; fish will appear on the display as straight lines.
Scrolling paused or speed set too low	Unpause or increase sonar scrolling speed.

Possible causes	Possible solutions
Sensitivity settings may be inappropriate for present conditions.	Check and adjust sensitivity settings or perform a Sonar reset.
Damaged cables	<ol style="list-style-type: none"> 1. Check the unit's connector for broken or bent pins. 2. Check that the cable connector is fully inserted into the unit and that the locking collar is in the locked position. 3. Check the cable and connectors for signs of damage or corrosion, replace if necessary. 4. With the unit turned on, try flexing the power cable near to the display connector to see if this causes the unit to re-boot/loose power, replace if necessary. 5. Check the vessel's battery voltage, the condition of the battery terminals and power supply cables, ensuring connections are secure, clean and free from corrosion, replace if necessary. 6. With the product under load, using a multi-meter, check for high voltage drop across all connectors/fuses etc (this can cause the Sonar applications to stop scrolling or the unit to reset/turn off), replace if necessary.
Transducer location	<ul style="list-style-type: none"> • Check that the transducer has been installed in accordance with the instructions provided with the transducer. • If a transom mount transducer is mounted too high on the transom it may be lifting out of the water, check that the transducer face is fully submerged when planing and turning.
Transducer kicked-up	If the transducer has a kick-up mechanism, check that it has not kicked up due to hitting an object.

Possible causes	Possible solutions
Damaged or fouled transducer	Check the condition of the transducer ensuring it is not damaged and is free from debris / fouling.
Damaged transducer cable	Check that the transducer cable and connection is free from damage and that the connections are secure and free from corrosion.
Turbulence around the transducer at higher speeds may affect transducer performance	Slow vessel speed and recheck.
Interference from another transducer	<ol style="list-style-type: none"> 1. Turn off the transducer causing the interference. 2. Reposition the transducers so they are further apart.
Unit power supply fault	Check the voltage from the power supply, if this is too low it can affect the transmitting power of the unit.

19.5 Wi-Fi troubleshooting

Before troubleshooting problems with your Wi-Fi connection, ensure that you have followed the Wi-Fi location requirements guidance provided in the relevant installation instructions and performed a power cycle/reboot of the devices you are experiencing problems with.

Cannot find network

Possible cause	Possible solutions
Wi-Fi not currently enabled on devices.	Ensure Wi-Fi is enabled on both Wi-Fi devices and rescan available networks.
Some devices may automatically turn off Wi-Fi when not in use to save power.	Power cycle / reboot devices and rescan available networks.

Possible cause	Possible solutions
Device not broadcasting.	<ol style="list-style-type: none"> 1. Try to enable broadcasting of the device's network using the Wi-Fi settings on the device you are trying to connect to. 2. You may still be able to connect to the device, when it is not broadcasting, by manually entering the device's Wi-Fi Name / SSID and passphrase in the connection settings of the device you are trying to connect.
Devices out of range or signal being blocked.	Move devices closer together or, if possible remove the obstructions and then rescan available network.

Cannot connect to network

Possible cause	Possible solutions
Some devices may automatically turn off Wi-Fi when not in use to save power.	Power cycle/reboot devices and retry the connection.
Trying to connect to the wrong Wi-Fi network	Ensure you are trying to connect to the correct Wi-Fi network, the Wi-Fi network's name can be found in the Wi-Fi settings on the broadcasting device (the device that you are trying to connect to).
Incorrect network credentials	Ensure you are using the correct passphrase, the Wi-Fi network's passphrase can be found in the Wi-Fi settings on the broadcasting device (the device that you are trying to connect to).

Possible cause	Possible solutions
Bulkheads, decks and other heavy structure can degrade and even block the Wi-Fi signal. Depending on the thickness and material used it may not always be possible to pass a Wi-Fi signal through certain structures	<ol style="list-style-type: none"> 1. Try repositioning the devices so the structure is removed from the direct line of sight between the devices, or 2. If possible use a wired connection instead.
Interference being caused by other Wi-Fi enabled or older Bluetooth enabled devices (Bluetooth and Wi-Fi both operate in the 2.4 GHz frequency range, some older bluetooth devices may interfere with Wi-Fi signals.)	<ol style="list-style-type: none"> 1. Change the Wi-Fi Channel of the device you are trying to connect to and retry the connection. You can use free Wi-Fi analyzer apps on your smart device to help you choose a better channel (channel with least traffic). 2. Temporarily disable each wireless device in turn until you have identified the device causing the interference.

Possible cause	Possible solutions
<p>Interference caused by other devices that use the 2.4GHz frequency See list below of some common devices that use the 2.4GHz frequency:</p> <ul style="list-style-type: none"> • Microwave ovens • Fluorescent lighting • Cordless phones / baby monitors • Motion sensors 	<p>Temporarily switch off each device in turn until you have identified the device causing the interference, then remove or reposition the offending device(s).</p>
<p>Interference caused by electrical and electronic devices and associated cabling could generate an electromagnetic field which may interfere with the Wi-Fi signal.</p>	<p>Temporarily switch off each item in turn until you have identified the device causing the interference, then remove or reposition the offending device(s).</p>

Connection extremely slow and or keeps dropping out

Possible cause	Possible solutions
<p>Wi-Fi performance degrades over distance so products farther away will receive less network bandwidth. Products installed close to their maximum Wi-Fi range will experience slow connection speeds, signal drop outs or not being able to connect at all.</p>	<ul style="list-style-type: none"> • Move devices closer together. • For fixed installations such as a Quantum Radar, enable the Wi-Fi connection on an display installed closer to the device.
<p>Interference being caused by other Wi-Fi enabled or older Bluetooth enabled devices (Bluetooth and Wi-Fi both operate in the 2.4 GHz frequency range, some older bluetooth devices may interfere with Wi-Fi signals.)</p>	<ol style="list-style-type: none"> 1. Change the Wi-Fi Channel of the device you are trying to connect to and retry the connection. You can use free Wi-Fi analyzer apps on your smart device to help you choose a better channel (channel with least traffic). 2. Temporarily switch off each device in turn until you have identified the device causing the interference, then remove or reposition the offending device(s).
<p>Interference from devices on other vessels. When in close proximity to other vessels, for example, when moored up in a marina, many other Wi-Fi signals may be present.</p>	<ol style="list-style-type: none"> 1. Change the Wi-Fi Channel of the device you are trying to connect to and retry the connection. You can use free Wi-Fi analyzer apps on your smart device to help you choose a better channel (channel with least traffic). 2. If possible, move your vessel to a location with less Wi-Fi traffic.

Network connection established but no data

Possible cause	Possible solutions
Connected to the wrong network.	Ensure that your devices is connected to the correct network.
Device software incompatibility.	Ensure both devices are running the latest available software.
It may be possible that the device has become defective.	<ol style="list-style-type: none">1. Try updating software to a later version, or2. try reinstalling the software.3. Obtain new replacement device.

Mobile application running slowly or not at all

Possible cause	Possible solutions
Raymarine® app not installed	Install mobile app from relevant app store.
Raymarine® app version not compatible with display software	Ensure mobile app and display software are latest available versions.
Mobile apps not enabled on display	Enable “Viewing only” or “Remote Control” as required in the Mobile Apps setting on your display.

19.6 Touchscreen troubleshooting

Problems with the touchscreen and their possible causes and solutions are described here.

Touchscreen does not operate as expected:

Possible causes	Possible solutions
TouchLock is enabled.	Swipe your finger from left to right across the [Power] button swipe area to de-activate the TouchLock.
Screen is not being operated with bare fingers, for example gloves are being worn.	Bare fingers must make contact with the screen for correct operation. Alternatively you may use conductive gloves.
Water deposits on the screen.	Carefully clean and dry the screen in accordance with the instructions provided.

19.7 Miscellaneous troubleshooting

Miscellaneous problems and their possible causes and solutions are described here.

Display behaves erratically (Frequent unexpected resets/System crashes or other erratic behavior):

Possible causes	Possible solutions
Intermittent problem with power to the display.	<ul style="list-style-type: none">• Check relevant fuses and breakers.• Check that the power supply cable is sound and that all connections are tight and free from corrosion.• Check that the power source is of the correct voltage and sufficient current.
Software mismatch on system (upgrade required).	Go to www.raymarine.com and click on support for the latest software downloads.
Corrupt data / other unknown issue.	Perform a factory reset. Important: This will result in the loss of any settings and data (such as waypoints) stored on the product. Save any important data to a memory card before resetting.

CHAPTER 20: TECHNICAL SUPPORT

CHAPTER CONTENTS

- 20.1 Raymarine product support and servicing — page 89
- 20.2 Learning resources — page 90

20.1 Raymarine product support and servicing

Raymarine provides a comprehensive product support service, as well as warranty, service, and repairs. You can access these services through the Raymarine website, telephone, and e-mail.

Product information

If you need to request service or support, please have the following information to hand:

- Product name.
- Product identity.
- Serial number.
- Software application version.
- System diagrams.

You can obtain this product information using diagnostic pages of the connected display.

Servicing and warranty

Raymarine offers dedicated service departments for warranty, service, and repairs.

Don't forget to visit the Raymarine website to register your product for extended warranty benefits: <http://www.raymarine.co.uk/display/?id=788>.

United Kingdom (UK), EMEA, and Asia Pacific:

- E-Mail: emea.service@raymarine.com
- Tel: +44 (0)1329 246 932

United States (US):

- E-Mail: rm-usrepair@flir.com
- Tel: +1 (603) 324 7900

Web support

Please visit the "Support" area of the Raymarine website for:

- **Manuals and Documents** — <http://www.raymarine.com/manuals>
- **Technical support forum** — <https://raymarine.custhelp.com/app/home>
- **Software updates** — <http://www.raymarine.com/software>

Worldwide support

United Kingdom (UK), EMEA, and Asia Pacific:

- Help desk: <https://raymarine.custhelp.com/app/ask>

- Tel: +44 (0)1329 246 777

United States (US):

- Help desk: <https://raymarine.custhelp.com/app/ask>
- Tel: +1 (603) 324 7900 (Toll-free: +800 539 5539)

Australia and New Zealand (Raymarine subsidiary):

- E-Mail: aus.support@raymarine.com
- Tel: +61 2 8977 0300

France (Raymarine subsidiary):

- E-Mail: support.fr@raymarine.com
- Tel: +33 (0)1 46 49 72 30

Germany (Raymarine subsidiary):

- E-Mail: support.de@raymarine.com
- Tel: +49 40 237 808 0

Italy (Raymarine subsidiary):

- E-Mail: support.it@raymarine.com
- Tel: +39 02 9945 1001

Spain (Authorized Raymarine distributor):

- E-Mail: sat@azimut.es
- Tel: +34 96 2965 102

Netherlands (Raymarine subsidiary):

- E-Mail: support.nl@raymarine.com
- Tel: +31 (0)26 3614 905

Sweden (Raymarine subsidiary):

- E-Mail: support.se@raymarine.com
- Tel: +46 (0)317 633 670

Finland (Raymarine subsidiary):

- E-Mail: support.fi@raymarine.com
- Tel: +358 (0)207 619 937

Norway (Raymarine subsidiary):

- E-Mail: support.no@raymarine.com
- Tel: +47 692 64 600

Denmark (Raymarine subsidiary):

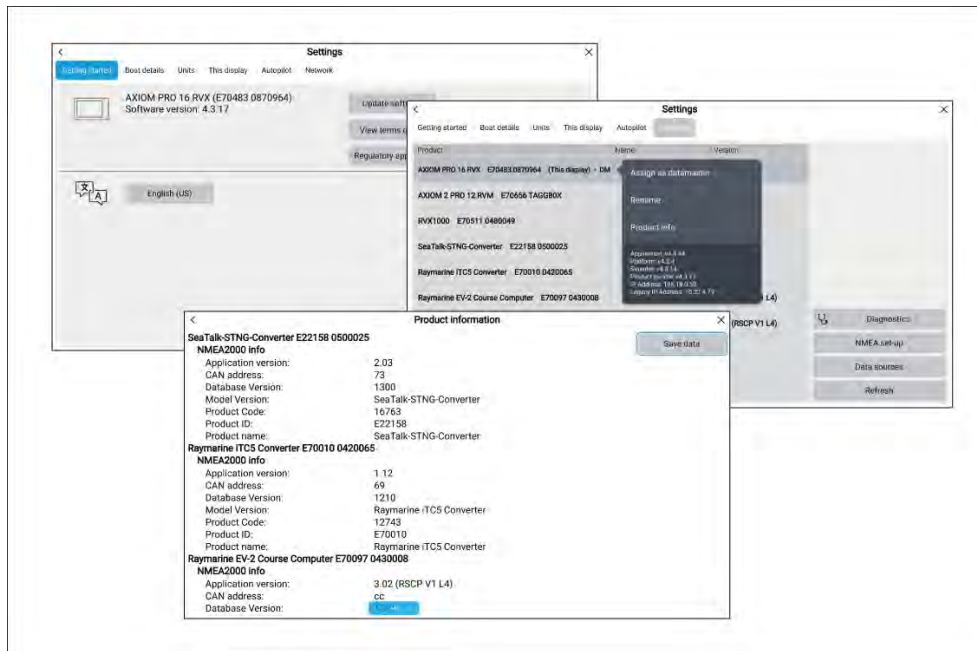
- E-Mail: support.dk@raymarine.com
- Tel: +45 437 164 64

Russia (Authorized Raymarine distributor):

- E-Mail: info@mikstmarine.ru
- Tel: +7 495 788 0508

Viewing product information

Use the *[Settings]* menu to view hardware and software information about your display, and connected products.



1. Select *[Settings]*, from the Homescreen.
The *[Getting started]* menu contains hardware and software information for your display.
2. You can view further information about your display, or view information about products networked using SeaTalkhs[®] and SeaTalkng[®] / NMEA 2000, by selecting the *[Network]* tab, then:
 - i. to display detailed software information and your display's network IP address, select your display from the list.

- ii. to display detailed diagnostics information for all products, select *[Product info]* from the *[Diagnostics]* pop over menu.

Remote Support via AnyDesk

LightHouse 3 software versions v3.13 or later support remote support functions via the preloaded AnyDesk app.

The AnyDesk app enables a Raymarine Product Support representative to remotely connect to and control your display over an Internet connection, for the purposes of technical support and troubleshooting.

To get started, you will first need to contact Raymarine Product Support. If the representative considers that your support case would benefit from a remote session, you need to first ensure that your display has an active Internet connection via Wi-Fi. Next, launch the AnyDesk app from your display's homescreen, and then provide the displayed unique ID to the Raymarine Product Support representative. Then follow any further instructions provided to you by the representative.

Attention

- **AnyDesk is provided for troubleshooting and support purposes only, and is NOT intended to perform remote functions on your vessel. Raymarine will NOT be held liable for damage or injury to equipment or persons caused by the use of a remote connection to your display.**
- **Do not disclose your AnyDesk ID to anyone other than authorised Raymarine Product Support personnel.**
- **Do not use the AnyDesk app to remotely activate connected devices such as Autopilot, Radar or Sonar hardware.**

20.2 Learning resources

Raymarine has produced a range of learning resources to help you get the most out of your products.

Video tutorials

Raymarine official channel on YouTube

- <http://www.youtube.com/user/RaymarineInc>

Training courses

Raymarine regularly runs a range of in-depth training courses to help you make the most of your products. Visit the Training section of the Raymarine website for more information:

- <http://www.raymarine.co.uk/view/?id=2372>

Technical support forum

You can use the Technical support forum to ask a technical question about a Raymarine product or to find out how other customers are using their Raymarine equipment. The resource is regularly updated with contributions from Raymarine customers and staff:

- <https://raymarine.custhelp.com/app/home>

CHAPTER 21: AXIOM 2 PRO 9 TECHNICAL SPECIFICATION

CHAPTER CONTENTS

- 21.1 Power specification — page 93
- 21.2 Environmental specification — page 93
- 21.3 LCD specification — page 93
- 21.4 Physical specification — page 93
- 21.5 Internal GNSS (GPS) receiver specification — page 94
- 21.6 Connections specification — page 94
- 21.7 RVM variant sonar specification — page 95
- 21.8 S variant sonar specification — page 95
- 21.9 Conformance/approvals — page 95
- 21.10 Product markings — page 96

21.1 Power specification

Specification	
Nominal supply voltage:	12 V / 24 V dc
Operating voltage range:	8 V dc to 32 V dc
Current (Maximum):	5 A
Off-current (Maximum @ 12 V dc):	11 mA (0.13 Watts)
Off-current (Maximum @ 24V dc):	18 mA (0.43 Watts)
Fuse requirements:	<ul style="list-style-type: none"> • Inline fuse = 5 Amp, or • Thermal breaker = 5 Amp
Power consumption Max @ 12 V dc:	<ul style="list-style-type: none"> • RVM: 44.4 Watts • S: 31.2 Watts
Power consumption Max @ 24 V dc:	<ul style="list-style-type: none"> • RVM: 40.9 Watts • S: 29.6 Watts

Note:

Power consumption figures for RVM variant displays were taken using a RealVision™ Max transducer connected. Power consumption figures for S variant displays were taken using a CPT-S transducer connected.

21.2 Environmental specification

Specification	
Operating temperature range:	-25°C (-13°F) to + 55°C (131°F)
Storage temperature range:	-30°C (-22°F) to + 70°C (158°F)
Humidity:	up to 93% @ 40°C (104°F)
Water ingress protection:	IPx6 and IPx7
Installation location:	<ul style="list-style-type: none"> • Above decks • Below decks

21.3 LCD specification

Specification	
Size (diagonal):	9.0"
Type:	IPS (In-Plane Switching)
Color depth:	24-bit
Resolution:	1280 x 720 (HD)
Ratio:	16:9
Illumination:	1300 nits / 1300 cd/m ²
Viewing angle:	Top 88° / Bottom 88° / Left 88° / Right 88°
Number of simultaneous touches:	1 to 16

21.4 Physical specification

Specification	
Gross (boxed) product weight:	<ul style="list-style-type: none"> • S variant: 5.03 kg (11.09 lbs) • RVM variant: 5.16 kg (11.38 lbs)
Net (unboxed) product weight:	<ul style="list-style-type: none"> • S variant: 2.82 kg (6.22 lbs) • RVM variant: 2.98 kg (6.57 lbs)
Dimensions (surface / flush mounted):	Height: 173.79 mm (6.84 in), Width: 299.32 mm (11.78 in), Depth (including cables): 234.9 mm (9.25 in)
Dimensions (trunnion mounted):	Height: 186.2 mm (7.33 in), Width: 329.5 mm (12.97 in), Depth (including cables): 234.9 mm (9.25 in)
Internal storage:	64 GB solid state.
External storage:	Dual slot MicroSDXC card reader

21.5 Internal GNSS (GPS) receiver specification

Specification	
Almanac Update:	Automatic
Antenna:	Internal antenna, optional external antenna connection.
Channels:	Track up to 28 satellites simultaneously.
Cold start (Time To First Fix):	<2 minutes.
Geodetic Datum:	WGS-84 (alternatives can be selected on the display)
GNSS compatibility:	<ul style="list-style-type: none"> • GPS • GLONASS • Beidou • Galileo
Operating frequency:	1574 MHz to 1605 MHz.
Position Accuracy:	<ul style="list-style-type: none"> • Without SBAS: <= 15 meters 95% of the time. • With SBAS: <= 5 meters 95% of the time.
Receiver IC Sensitivity:	<ul style="list-style-type: none"> • 165 dBm (Tracking) • 160 dBm (Re-acquisition) • 148 dBm (Cold start)
Refresh Rate:	10 Hz (10 times per second)
SBAS compatibility:	<ul style="list-style-type: none"> • EGNOS • GAGAN • MSAS • QZSS • WAAS
Signal Acquisition:	Automatic

21.6 Connections specification

Specification	
Accessory connection:	USB Micro B (for external card reader connection).
Analog video connections:	Composite BNC connectors via Power/Video/Audio cable.
Audio connections:	Left and Right RCA connectors via Power/Video/Audio cable.
Ethernet connections:	RayNet (10/100/1,000 Mbits/s) x 2.
GPS antenna connection:	TNC type connector.
HDMI connections:	Micro HDMI (Type D) (v1.4b) output connector.
NMEA 0183 connection:	NMEA 0183 TO NMEA 2000 convertor required (part number: A80721).
NMEA 2000 connection:	DeviceNet connector (Load Equivalency Number = 1).
Bluetooth connection:	Bluetooth: v4.0 combined with Wi-Fi module.
Wi-Fi connection:	<p>Multiband - 2.4GHz, and 5Ghz 802.11b/g/n</p> <ul style="list-style-type: none"> • Dual MIMO (Multiple In, Multiple Out) @ 2.4 GHz <ul style="list-style-type: none"> – 1x Antenna is used for Wi-Fi only – 1x Antenna is used for both Wi-Fi and Bluetooth <p>2.4GHz only (can simultaneously operate as an access point and as a host)</p> <ul style="list-style-type: none"> • SISO (Single In, Single Out) @ 5 GHz <ul style="list-style-type: none"> – 1x Antenna is used for Wi-Fi only – 1x Antenna is used for Bluetooth only

Specification

- Transducer connections (RVM variants):**
- 25-pin RV / RVM connector.
 - 11-pin 1kW connector.

- Transducer connections (S variants):** 25-pin RV / RVM connector (requires adaptor cable for CPT-S only transducers).

21.7 RVM variant sonar specification

Sonar channels

Your product supports the following sonar channels:

RV / RVM transducer connection

CHIRP sonar channels

3D Vision (RealVision™)	DownVision™
SideVision™	High CHIRP
Sonar (CPT-S transducer)	

1 kW transducer connection

CHIRP / traditional sonar channels

High CHIRP	Medium CHIRP
Low CHIRP	Low frequency
Conical sonar	Medium frequency
High frequency	

Sonar range

The sonar range is the effective depth or distance that the transducer can operate to, **in optimum weather conditions**.

The following ranges apply to RealVision™ Max 3D sonar channels:

Note:

The listed sonar channel ranges are indicative only, and are subject to change depending upon the connected transducer.

Sonar channel	Range
CHIRP sonar:	0.6 m (2 ft) to 366 m (1,200 ft)
DownVision™:	0.6 m (2 ft) to 183 m (600 ft)
SideVision™:	0.6 m (2 ft) to 91 m (300 ft)
RealVision™ Max 3D:	0.6 M (2 ft) to 91 m (300 ft)

Traditional sonar range

The following ranges apply to Traditional sonar channels:

Sonar channel	Range
Traditional sonar:	0.9 m (3 ft) to 1,524 m (5,000 ft) (in optimum conditions, using a 1 kW transducer)

21.8 S variant sonar specification

The sonar range is the effective depth or distance that the transducer can operate to, **in optimum weather conditions**.

CHIRP sonar channel	Range
100 W Sonar (conical beam):	0.6 m (2 ft) to 274 m (900 ft), depending on water conditions

21.9 Conformance/approvals

This product is compliant or approved to the following standards or by the listed entities.

- Radio Equipment Directive 2014/53/EU
- EN 60945:2002 (Europe, Australia New Zealand)

- FCC Part 15C and Part 15E
- ISED ICES-003
- NMEA 2000 certified

21.10 Product markings

The product includes the following approval / compliance markings and/or IDs.

- UKCA
- CE
- FCC
- ISED
- Japan
- Australian Tick
- Brazil Anatel
- WEEE Directive

CHAPTER 22: AXIOM 2 PRO 12 TECHNICAL SPECIFICATION

CHAPTER CONTENTS

- 22.1 Power specification — page 98
- 22.2 Environmental specification — page 98
- 22.3 LCD specification — page 98
- 22.4 Physical specification — page 98
- 22.5 Connections specification — page 99
- 22.6 Internal GNSS (GPS) receiver specification — page 99
- 22.7 RVM variant sonar specification — page 100
- 22.8 S variant sonar specification — page 100
- 22.9 Conformance/approvals — page 100
- 22.10 Product markings — page 101

22.1 Power specification

Specification	
Nominal supply voltage:	12 V / 24 V dc
Operating voltage range:	8 V dc to 32 V dc
Current (Maximum):	5 A
Off-current (Maximum @ 12 V dc):	11 mA (0.13 Watts)
Off-current (Maximum @ 24V dc):	18 mA (0.43 Watts)
Fuse requirements:	<ul style="list-style-type: none"> • Inline fuse = 5 Amp, or • Thermal breaker = 5 Amp
Power consumption Max @ 12 V dc:	<ul style="list-style-type: none"> • RVM: 37.2 Watts • S: 24.6 Watts
Power consumption Max @ 24 V dc:	<ul style="list-style-type: none"> • RVM: 35.3 Watts • S: 23.6 Watts

Note:

Power consumption figures for RVM variant displays were taken using a RealVision™ Max transducer connected. Power consumption figures for S variant displays were taken using a CPT-S transducer connected.

22.2 Environmental specification

Specification	
Operating temperature range:	-25°C (-13°F) to + 55°C (131°F)
Storage temperature range:	-30°C (-22°F) to + 70°C (158°F)
Humidity:	up to 93% @ 40°C (104°F)
Water ingress protection:	IPx6 and IPx7
Installation location:	<ul style="list-style-type: none"> • Above decks • Below decks

22.3 LCD specification

Specification	
Size (diagonal):	12.1"
Type:	IPS (In-Plane Switching)
Color depth:	24-bit
Resolution:	1280 x 800 (WXGA)
Ratio:	16:10
Illumination:	1200 nits / 1200 cd/m ²
Viewing angle:	Top 88° / Bottom 88° / Left 88° / Right 88°
Number of simultaneous touches:	1 to 16

22.4 Physical specification

Specification	
Gross (boxed) product weight:	<ul style="list-style-type: none"> • S variant: 6.81 kg (15.01 lbs) • RVM variant: 6.92 kg (15.26 lbs)
Net (unboxed) product weight:	<ul style="list-style-type: none"> • S variant: 4.19 kg (9.24 lbs) • RVM variant: 4.30 kg (9.48 lbs)
Dimensions (surface/flush mounted):	Height: 222.8 mm (8.77 in), Width: 358.03 mm (14.1 in), Depth (including cables): 233.4 mm (9.18 in)
Dimensions (trunnion mounted):	Height: 246.13 mm (9.69 in), Width: 388.5 mm (15.3 in), Depth (including cables): 233.4 mm (9.18 in)
Internal storage:	64 GB solid state.
External storage:	Dual slot MicroSDXC card reader

22.5 Connections specification

Specification	
Accessory connection:	USB Micro B (for external card reader connection).
Analog video connections:	Composite BNC connectors via Power/Video/Audio cable.
Audio connections:	Left and Right RCA connectors via Power/Video/Audio cable.
Ethernet connections:	RayNet (10/100/1,000 Mbits/s) x 2.
GPS antenna connection:	TNC type connector.
HDMI connections:	Micro HDMI (Type D) (v1.4b) output connector.
NMEA 0183 connection:	NMEA 0183 TO NMEA 2000 convertor required (part number: A80721).
NMEA 2000 connection:	DeviceNet connector (Load Equivalency Number = 1).
Bluetooth connection:	Bluetooth: v4.0 combined with Wi-Fi module.
Wi-Fi connection:	<p>Multiband - 2.4GHz, and 5Ghz 802.11b/g/n</p> <ul style="list-style-type: none"> • Dual MIMO (Multiple In, Multiple Out) @ 2.4 GHz <ul style="list-style-type: none"> – 1x Antenna is used for Wi-Fi only – 1x Antenna is used for both Wi-Fi and Bluetooth <p>2.4GHz only (can simultaneously operate as an access point and as a host)</p> <ul style="list-style-type: none"> • SISO (Single In, Single Out) @ 5 GHz <ul style="list-style-type: none"> – 1x Antenna is used for Wi-Fi only – 1x Antenna is used for Bluetooth only

Specification	
Transducer connections (RVM variants):	<ul style="list-style-type: none"> • 25-pin RV / RVM connector. • 11-pin 1kW connector.
Transducer connections (S variants):	25-pin RV / RVM connector (requires adaptor cable for CPT-S only transducers).

22.6 Internal GNSS (GPS) receiver specification

Specification	
Almanac Update:	Automatic
Antenna:	Internal antenna, optional external antenna connection.
Channels:	Track up to 28 satellites simultaneously.
Cold start (Time To First Fix):	<2 minutes.
Geodetic Datum:	WGS-84 (alternatives can be selected on the display)
GNSS compatibility:	<ul style="list-style-type: none"> • GPS • GLONASS • Beidou • Galileo
Operating frequency:	1574 MHz to 1605 MHz.
Position Accuracy:	<ul style="list-style-type: none"> • Without SBAS: <= 15 meters 95% of the time. • With SBAS: <= 5 meters 95% of the time.
Receiver IC Sensitivity:	<ul style="list-style-type: none"> • 165 dBm (Tracking) • 160 dBm (Re-acquisition) • 148 dBm (Cold start)
Refresh Rate:	10 Hz (10 times per second)

Specification

SBAS compatibility:	<ul style="list-style-type: none">• EGNOS• GAGAN• MSAS• QZSS• WAAS
----------------------------	--

Signal Acquisition:	Automatic
----------------------------	-----------

22.7 RVM variant sonar specification

Sonar channels

Your product supports the following sonar channels:

RV / RVM transducer connection

CHIRP sonar channels

3D Vision (RealVision™)	DownVision™
SideVision™	High CHIRP
Sonar (CPT-S transducer)	

1 kW transducer connection

CHIRP / traditional sonar channels

High CHIRP	Medium CHIRP
Low CHIRP	Low frequency
Conical sonar	Medium frequency
High frequency	

Sonar range

The sonar range is the effective depth or distance that the transducer can operate to, **in optimum weather conditions**.

The following ranges apply to RealVision™ Max 3D sonar channels:

Note:

The listed sonar channel ranges are indicative only, and are subject to change depending upon the connected transducer.

Sonar channel	Range
CHIRP sonar:	0.6 m (2 ft) to 366 m (1,200 ft)
DownVision™:	0.6 m (2 ft) to 183 m (600 ft)
SideVision™:	0.6 m (2 ft) to 91 m (300 ft)
RealVision™ Max 3D:	0.6 M (2 ft) to 91 m (300 ft)

Traditional sonar range

The following ranges apply to Traditional sonar channels:

Sonar channel	Range
Traditional sonar:	0.9 m (3 ft) to 1,524 m (5,000 ft) (in optimum conditions, using a 1 kW transducer)

22.8 S variant sonar specification

The sonar range is the effective depth or distance that the transducer can operate to, **in optimum weather conditions**.

CHIRP sonar channel	Range
100 W Sonar (conical beam):	0.6 m (2 ft) to 274 m (900 ft), depending on water conditions

22.9 Conformance/approvals

This product is compliant or approved to the following standards or by the listed entities.

- Radio Equipment Directive 2014/53/EU
- EN 60945:2002 (Europe, Australia New Zealand)

- FCC Part 15C and Part 15E
- ISED ICES-003
- NMEA 2000 certified

22.10 Product markings

The product includes the following approval / compliance markings and/or IDs.

- UKCA
- CE
- FCC
- ISED
- Japan
- Australian Tick
- Brazil Anatel
- WEEE Directive

CHAPTER 23: AXIOM 2 PRO 16 TECHNICAL SPECIFICATION

CHAPTER CONTENTS

- 23.1 Power specification — page 103
- 23.2 Environmental specification — page 103
- 23.3 LCD specification — page 103
- 23.4 Physical specification — page 103
- 23.5 Connections specification — page 104
- 23.6 Internal GNSS (GPS) receiver specification — page 104
- 23.7 RVM variant sonar specification — page 105
- 23.8 S variant sonar specification — page 105
- 23.9 Conformance/approvals — page 105
- 23.10 Product markings — page 106

23.1 Power specification

Specification	
Nominal supply voltage:	12 V / 24 V dc
Operating voltage range:	8 V dc to 32 V dc
Current (Maximum):	5 A
Off-current (Maximum @ 12 V dc):	11 mA (0.13 Watts)
Off-current (Maximum @ 24V dc):	18 mA (0.43 Watts)
Fuse requirements:	<ul style="list-style-type: none"> • Inline fuse = 5 Amp, or • Thermal breaker = 5 Amp
Power consumption Max @ 12 V dc:	<ul style="list-style-type: none"> • RVM: 50.8 Watts • S: 38.4 Watts
Power consumption Max @ 24 V dc:	<ul style="list-style-type: none"> • RVM : 47.1 Watts • S: 37.7 Watts

Note:

Power consumption figures for RVM variant displays were taken using a RealVision™ Max transducer connected. Power consumption figures for S variant displays were taken using a CPT-S transducer connected.

23.2 Environmental specification

Specification	
Operating temperature range:	-25°C (-13°F) to + 55°C (131°F)
Storage temperature range:	-30°C (-22°F) to + 70°C (158°F)
Humidity:	up to 93% @ 40°C (104°F)
Water ingress protection:	IPx6 and IPx7
Installation location:	<ul style="list-style-type: none"> • Above decks • Below decks

23.3 LCD specification

Specification	
Size (diagonal):	15.6"
Type:	IPS (In-Plane Switching)
Color depth:	24-bit
Resolution:	1920 x 1080 (Full HD)
Ratio:	16:9
Illumination:	1200 nits / 1200 cd/m ²
Viewing angle:	Top 88° / Bottom 88° / Left 88° / Right 88°
Number of simultaneous touches:	1 to 16

23.4 Physical specification

Specification	
Gross (boxed) product weight:	<ul style="list-style-type: none"> • S variant: 9.02 kg (19.89 lbs) • RVM variant: 9.18 kg (20.24 lbs)
Net (unboxed) product weight:	<ul style="list-style-type: none"> • S variant: 5.98 kg (13.18 lbs) • RVM variant: 6.02 kg (13.27 lbs)
Dimensions (surface / flush mounted):	Height: 258 mm (10.16 in), Width: 452.02 mm (17.8 in), Depth (including cables): 240.4 mm (9.46 in)
Dimensions (trunnion mounted):	Height: 281.20 mm (11.10 in), Width: 482.50 mm (19.00 in), Depth (including cables): 241.40 mm (9.50 in)
Internal storage:	64 GB solid state.
External storage:	Dual slot MicroSDXC card reader

23.5 Connections specification

Specification	
Accessory connection:	USB Micro B (for external card reader connection).
Analog video connections:	Composite BNC connectors via Power/Video/Audio cable.
Audio connections:	Left and Right RCA connectors via Power/Video/Audio cable.
Ethernet connections:	RayNet (10/100/1,000 Mbits/s) x 2.
GPS antenna connection:	TNC type connector.
HDMI connections:	Micro HDMI (Type D) (v1.4b) output connector.
NMEA 0183 connection:	NMEA 0183 TO NMEA 2000 convertor required (part number: A80721).
NMEA 2000 connection:	DeviceNet connector (Load Equivalency Number = 1).
Bluetooth connection:	Bluetooth: v4.0 combined with Wi-Fi module.
Wi-Fi connection:	<p>Multiband - 2.4GHz, and 5Ghz 802.11b/g/n</p> <ul style="list-style-type: none"> • Dual MIMO (Multiple In, Multiple Out) @ 2.4 GHz <ul style="list-style-type: none"> – 1x Antenna is used for Wi-Fi only – 1x Antenna is used for both Wi-Fi and Bluetooth <p>2.4GHz only (can simultaneously operate as an access point and as a host)</p> <ul style="list-style-type: none"> • SISO (Single In, Single Out) @ 5 GHz <ul style="list-style-type: none"> – 1x Antenna is used for Wi-Fi only – 1x Antenna is used for Bluetooth only

Specification	
Transducer connections (RVM variants):	<ul style="list-style-type: none"> • 25-pin RV / RVM connector. • 11-pin 1kW connector.
Transducer connections (S variants):	25-pin RV / RVM connector (requires adaptor cable for CPT-S only transducers).

23.6 Internal GNSS (GPS) receiver specification

Specification	
Almanac Update:	Automatic
Antenna:	Internal antenna, optional external antenna connection.
Channels:	Track up to 28 satellites simultaneously.
Cold start (Time To First Fix):	<2 minutes.
Geodetic Datum:	WGS-84 (alternatives can be selected on the display)
GNSS compatibility:	<ul style="list-style-type: none"> • GPS • GLONASS • Beidou • Galileo
Operating frequency:	1574 MHz to 1605 MHz.
Position Accuracy:	<ul style="list-style-type: none"> • Without SBAS: <= 15 meters 95% of the time. • With SBAS: <= 5 meters 95% of the time.
Receiver IC Sensitivity:	<ul style="list-style-type: none"> • 165 dBm (Tracking) • 160 dBm (Re-acquisition) • 148 dBm (Cold start)
Refresh Rate:	10 Hz (10 times per second)

Specification

SBAS compatibility:	<ul style="list-style-type: none">• EGNOS• GAGAN• MSAS• QZSS• WAAS
----------------------------	--

Signal Acquisition:	Automatic
----------------------------	-----------

23.7 RVM variant sonar specification

Sonar channels

Your product supports the following sonar channels:

RV / RVM transducer connection

CHIRP sonar channels

3D Vision (RealVision™)	DownVision™
SideVision™	High CHIRP
Sonar (CPT-S transducer)	

1 kW transducer connection

CHIRP / traditional sonar channels

High CHIRP	Medium CHIRP
Low CHIRP	Low frequency
Conical sonar	Medium frequency
High frequency	

Sonar range

The sonar range is the effective depth or distance that the transducer can operate to, **in optimum weather conditions**.

The following ranges apply to RealVision™ Max 3D sonar channels:

[Axiom 2 Pro 16 technical specification](#)

Note:

The listed sonar channel ranges are indicative only, and are subject to change depending upon the connected transducer.

Sonar channel	Range
CHIRP sonar:	0.6 m (2 ft) to 366 m (1,200 ft)
DownVision™:	0.6 m (2 ft) to 183 m (600 ft)
SideVision™:	0.6 m (2 ft) to 91 m (300 ft)
RealVision™ Max 3D:	0.6 M (2 ft) to 91 m (300 ft)

Traditional sonar range

The following ranges apply to Traditional sonar channels:

Sonar channel	Range
Traditional sonar:	0.9 m (3 ft) to 1,524 m (5,000 ft) (in optimum conditions, using a 1 kW transducer)

23.8 S variant sonar specification

The sonar range is the effective depth or distance that the transducer can operate to, **in optimum weather conditions**.

CHIRP sonar channel	Range
100 W Sonar (conical beam):	0.6 m (2 ft) to 274 m (900 ft), depending on water conditions

23.9 Conformance/approvals

This product is compliant or approved to the following standards or by the listed entities.

- Radio Equipment Directive 2014/53/EU
- EN 60945:2002 (Europe, Australia New Zealand)

- FCC Part 15C and Part 15E
- ISED ICES-003
- NMEA 2000 certified

23.10 Product markings

The product includes the following approval / compliance markings and/or IDs.

- UKCA
- CE
- FCC
- ISED
- Japan
- Australian Tick
- Brazil Anatel
- WEEE Directive

CHAPTER 24: SPARES AND ACCESSORIES

CHAPTER CONTENTS

- 24.1 Compatible transducers — page 108
- 24.2 Spares — page 108
- 24.3 Accessories — page 108
- 24.4 RayNet to RayNet cables and connectors — page 110
- 24.5 RayNet to RJ45, and RJ45 (SeaTalkhs) adapter cables — page 111
- 24.6 SeaTalkng[®] cables and accessories — page 113

24.1 Compatible transducers

For a list of transducers that are compatible with your sonar module, refer to the following section: [p.20 — Compatible transducers](#).

In addition, the following speed/temp sensing transducers are also compatible with your sonar module:

Item description and part numbers

- ST800–P120 Plastic low-profile speed/temp sensor — **E66071**
- ST800–B120 Bronze low-profile speed/temp sensor — **E66072**

24.2 Spares

The following spares are available for Axiom® 2 Pro displays.

Description	Part number
Axiom® 2 Pro 9 suncover	A80741
Axiom® 2 Pro 12 suncover	A80742
Axiom® 2 Pro 16 suncover	A80743
Axiom® 2 Pro 9 trunnion kit	R70384
Axiom® 2 Pro 12 trunnion kit	R70389
Axiom® 2 Straight power/video/audio cable - 1.5 m (4.92 ft)	A80744
Axiom® 2 Pro card reader door replacement	R70891
Axiom® 2 Pro 12 and 16 keypad infill replacements (2 x infills supplied)	R70892
Axiom® 2 Pro Lower keypad replacement (1 x pilot keypad, 1 x user programmable keypad)	R70888
Axiom® 2 Pro 9, 12, 16 Left Hand Bungs replacements (3 x bungs supplied)	R70893

24.3 Accessories

The following accessories are available for Axiom® 2 Pro displays.

Description	Part number
Axiom® 2 Pro 16 trunnion kit	A80722
Axiom® 2 right angled power/video/audio cable - 1.5 m (4.92 ft)	A80745
Blank Name plaque (QTY:40)	A80724
Bulkhead Mount Micro USB Socket	A80630
Actisense® NGW-1 NMEA 2000 (DeviceNet) to NMEA 0183 converter	A80721
GA200 passive GNSS (GPS) antenna	A80589
GA150 passive GNSS (GPS) antenna	A80288
Micro HDMI (Type D) cable 5 m (16.4 ft) cable	A80723
RCR-1 card reader	A80585
RCR-SDUSB card reader	A80440
RMK-10 — display remote control	A80438 / T70293

Transducer cables

RealVision™ Max 3D / RealVision™ 3D transducer extension cable(s):

- 3 m (9.8 ft) RealVision™ transducer extension cable — **A80475**
- 5 m (16.4 ft) RealVision™ transducer extension cable — **A80476**
- 8 m (26.2 ft) RealVision™ transducer extension cable — **A80477**
- 0.3 m (1 ft) RealVision™ 90-degree adapter cable — **A80515**
- Paired RealVision™ transducer Y-cable — **A80478**

DownVision™ / SideVision™ / CPT-S CHIRP conical beam transducer extension cable(s):

- 25-pin to 9-pin DownVision™ transducer adapter cable — **A80490**

CHIRP / Traditional transducer extension cable(s):

- 11-pin to 8-pin CP370-style transducer adapter cable — **A80496**
- 5 m (16.4 ft) traditional transducer extension cable — **E66010**

- 3 m (10 ft) CHIRP transducer extension cable — **A102148**
- 5 m (16.4 ft) CHIRP transducer extension cable — **A102150**
- 10 m (32.8 ft) CHIRP transducer extension cable — **A80327**
- Paired CHIRP transducer Y-cable — **A102146**
- Dual Speed and Temperature CHIRP transducer cable — **A80345**

Operation cable(s):

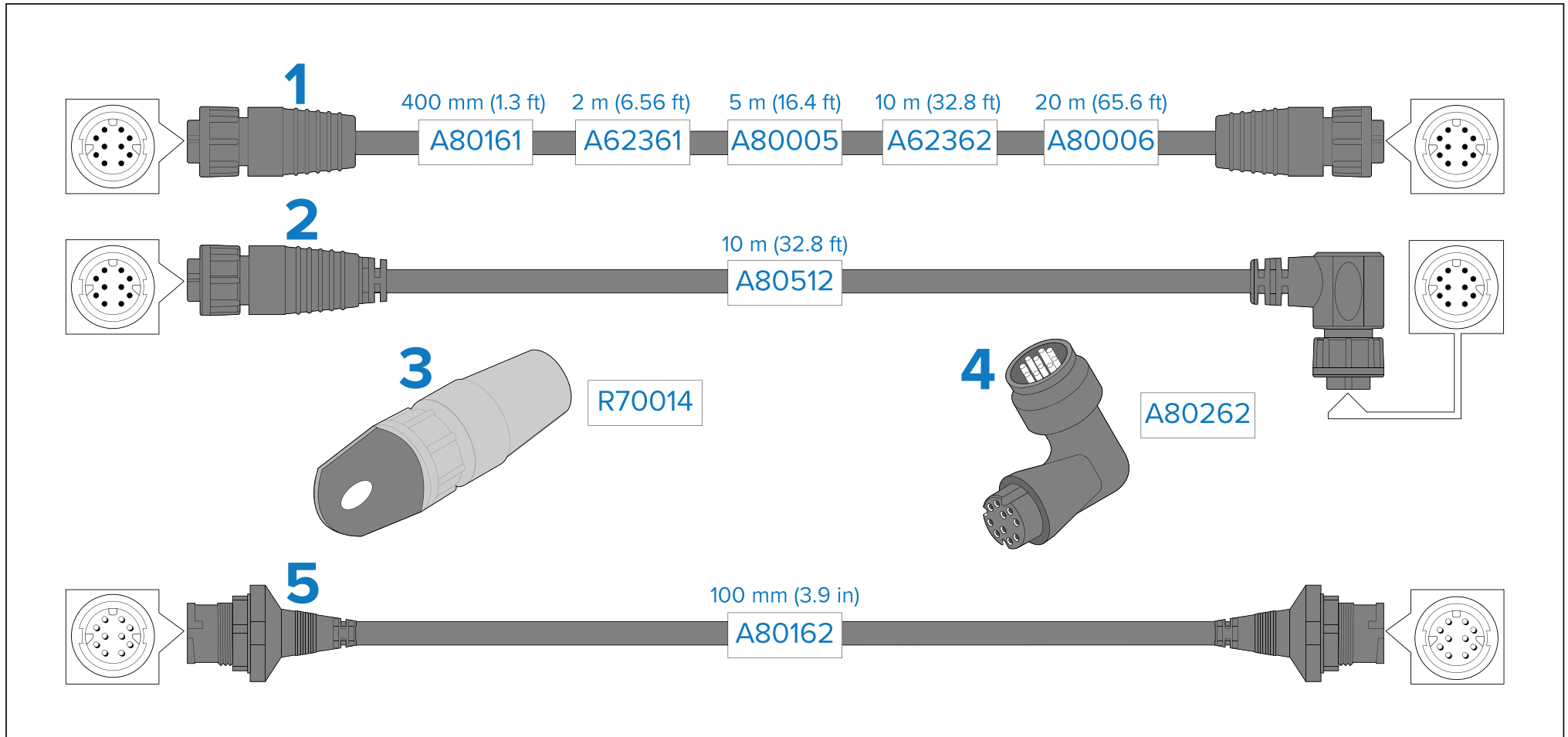
- Single B75/B175 operation cable — **A80328**

Legacy adaptor plates

Adaptor plates are available to enable installation of Axiom Pro and Axiom 2 Pro displays in the place of a legacy display.

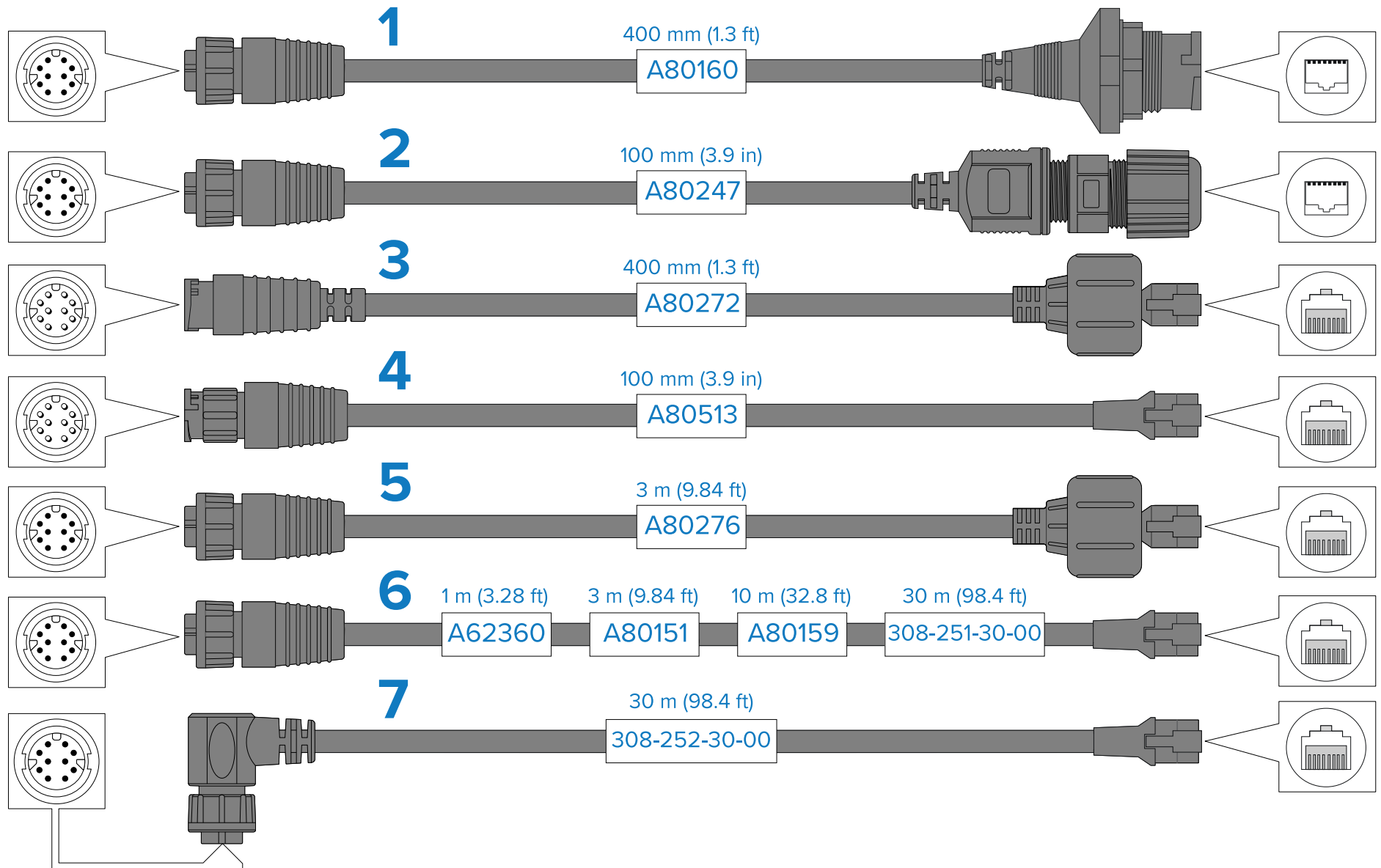
Adaptor description	Part number
C90W / E90W to Axiom Pro 9 / Axiom 2 Pro 9 adaptor plate	A80530
C120W / E120W to Axiom Pro 12 / Axiom 2 Pro 12 adaptor plate	A80531
e165 / E140W to Axiom Pro 16 / Axiom 2 Pro 16 adaptor plate	A80533

24.4 RayNet to RayNet cables and connectors



1. Standard RayNet connection cable with a RayNet (female) socket on both ends.
2. Right-angle RayNet connection cable with a straight RayNet (female) socket on one end, and a right-angle RayNet (female) socket on the other end. Suitable for connecting at 90° (right angle) to a device, for installations where space is limited.
3. RayNet cable puller (5 pack).
4. RayNet to RayNet right-angle coupler / adapter. Suitable for connecting RayNet cables at 90° (right angle) to devices, for installations where space is limited.
5. Adapter cable with a RayNet (male) plug on both ends. Suitable for joining (female) RayNet cables together for longer cable runs.

24.5 RayNet to RJ45, and RJ45 (SeaTalkhs) adapter cables



1. Adapter cable with a RayNet (female) socket on one end, and a waterproof (female) RJ45 (SeaTalkhs[®]) socket on the other end, accepting the following cables with an RJ45 (SeaTalkhs[®]) waterproof locking (male) plug:
 - A62245 (1.5 m).
 - A62246 (15 m).
2. Adapter cable with a RayNet (female) socket on one end, and a waterproof (female) RJ45 (SeaTalkhs[®]) socket on the other end, along with a locking gland for a watertight fit.
3. Adapter cable with a RayNet (male) plug on one end, and an RJ45 (SeaTalkhs[®]) waterproof (male) plug on the other end.
4. Adapter cable with a RayNet (male) plug on one end, and an RJ45 (male) plug on the other end.
5. Adapter cable with a RayNet (female) socket on one end, and an RJ45 (SeaTalkhs[®]) waterproof (male) plug on the other end.
6. Adapter cable with a RayNet (female) socket on one end, and an RJ45 (male) plug on the other end.
7. Adapter cable with a right-angled RayNet (female) socket on one end, and an RJ45 (male) plug on the other end.

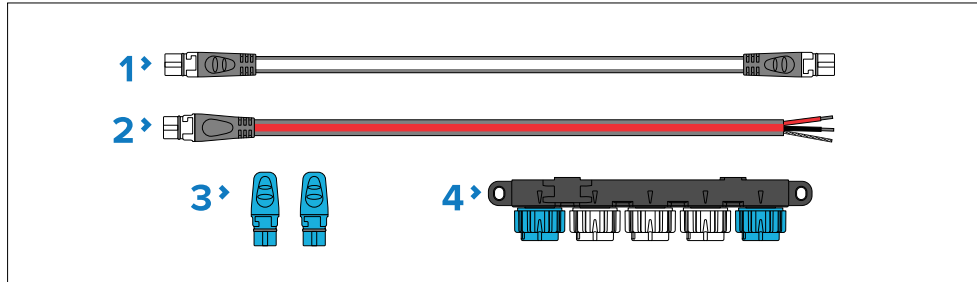
24.6 SeaTalkng® cables and accessories

SeaTalkng® cables and accessories for use with compatible products.

SeaTalkng® kits

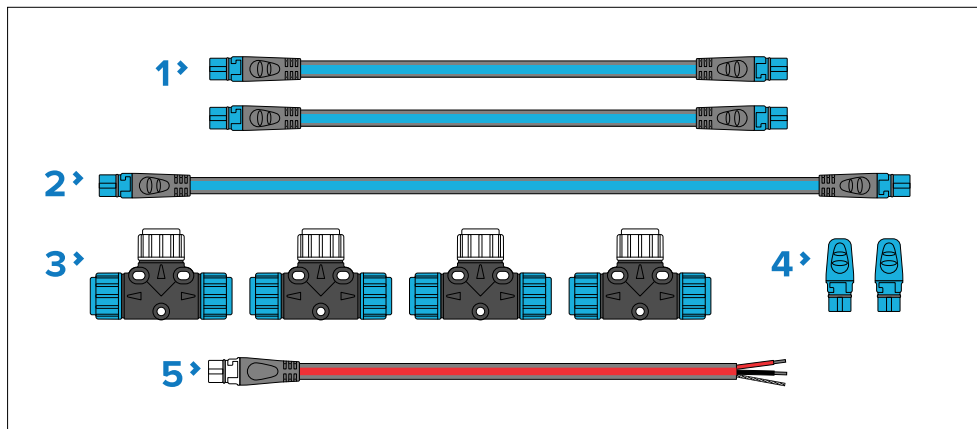
SeaTalkng kits enable you to create a simple SeaTalkng backbone.

Starter kit (part number: T70134) consists of:



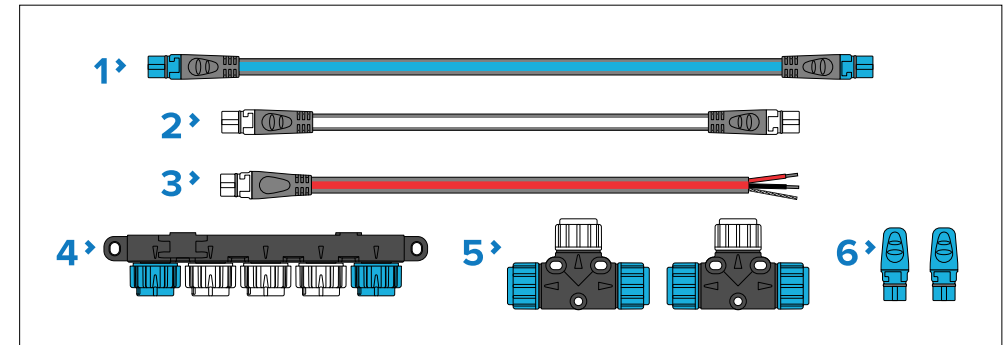
- 1 x Spur cable 3 m (9.8 ft) (part number: **A06040**). Used to connect device to the SeaTalkng backbone.
- 1 x Power cable 2 m (6.6 ft) (part number: **A06049**). Used to provide 12 V dc power to the SeaTalkng backbone.
- 2 x Backbone terminators (part number: **A06031**). Terminators must be fitted to both ends of the SeaTalkng backbone.
- 1 x 5-Way connector (part number: **A06064**). Each connector block allows connection of up to 3 SeaTalkng devices. Multiple connector blocks can be 'daisy chained' together.

Backbone kit (part number: A25062) consists of:



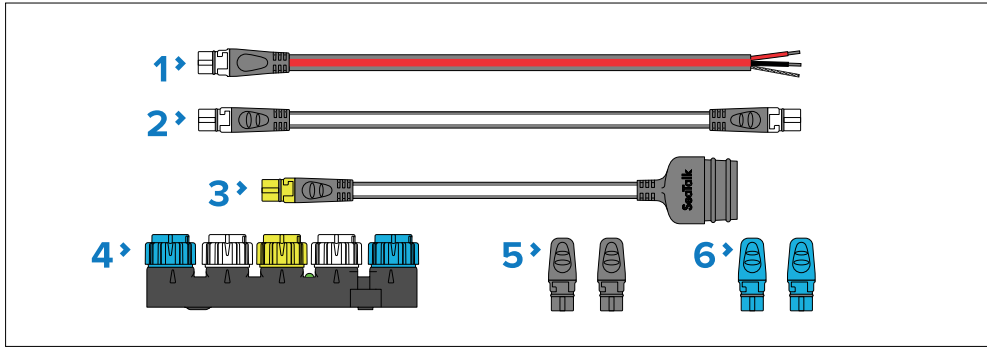
- 2 x Backbone cables 5 m (16.4 ft) (part number: **A06036**). Used to create and extend the SeaTalkng backbone.
- 1 x Backbone cable 20 m (65.6 ft) (part number: **A06037**). Used to create and extend the SeaTalkng backbone.
- 4 x T-piece (part number: **A06028**). Each T-piece allows connection of one SeaTalkng device. Multiple T-pieces can be 'daisy chained' together.
- 2 x Backbone terminators (part number: **A06031**). Terminators must be fitted to both ends of the SeaTalkng backbone.
- 1 x Power cable 2 m (6.6 ft) (part number: **A06049**). Used to provide 12 V dc power to the SeaTalkng backbone.

Evolution autopilot cable kit (part number: R70160) consists of:



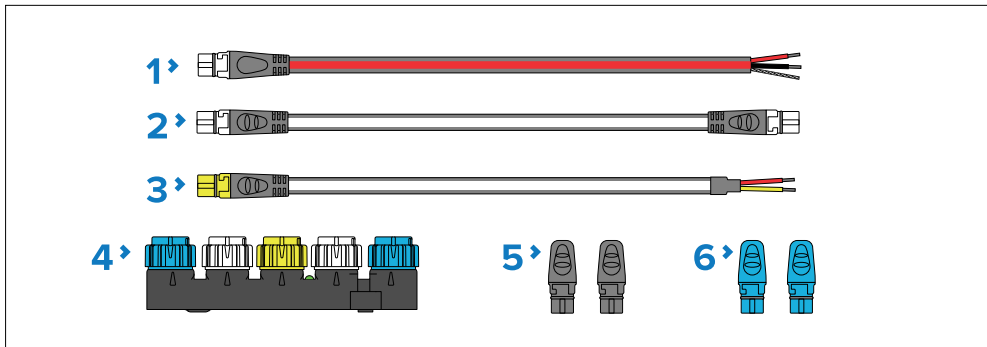
- 1 x Backbone cable 5 m (16.4 ft) (part number: **A06036**). Used to create and extend the SeaTalkng backbone.
- 1 x Spur cable 1 m (3.3 ft) (part number: **A06040**). Used to connect device to the SeaTalkng backbone.
- 1 x Power cable 2 m (6.6 ft) (part number: **A06049**). Used to provide 12 V dc power to the SeaTalkng backbone.
- 1 x 5-Way connector (part number: **A06064**). Each connector block allows connection of up to 3 SeaTalkng devices. Multiple connector blocks can be 'daisy chained' together.
- 2 x T-pieces (part number: **A06028**). Each T-piece allows connection of one SeaTalkng device. Multiple T-pieces can be 'daisy chained' together.
- 2 x Backbone terminators (part number: **A06031**). Terminators must be fitted to both ends of the SeaTalkng backbone.

SeaTalk to SeaTalkng converter kit (part number: E22158) consists of:



1. 1 x Power cable 2 m (6.6 ft) (part number: **A06049**). Used to provide 12 V dc power to the SeaTalkng backbone.
2. 1 x Spur cable 1 m (3.3 ft) (part number: **A06039**). Used to connect a device to the SeaTalkng backbone.
3. 1 x SeaTalk (3 pin) to SeaTalkng adapter cable 0.4 m (1.3 ft) (part number: **A22164**). Used to connect SeaTalk devices to the SeaTalkng backbone via the SeaTalk to SeaTalkng converter.
4. 1 x SeaTalk to SeaTalkng converter (part number: **E22158**). Each converter allows connection of one SeaTalk device and up to 2 SeaTalkng devices.
5. 2 x Spur blanking plugs (part number: **A06032**). Used to cover unused spur connections in 5-way blocks, T-piece connectors and SeaTalk to SeaTalkng converter.
6. 2 x Backbone terminators (part number: **A06031**). Terminators must be fitted to both ends of the SeaTalkng backbone.

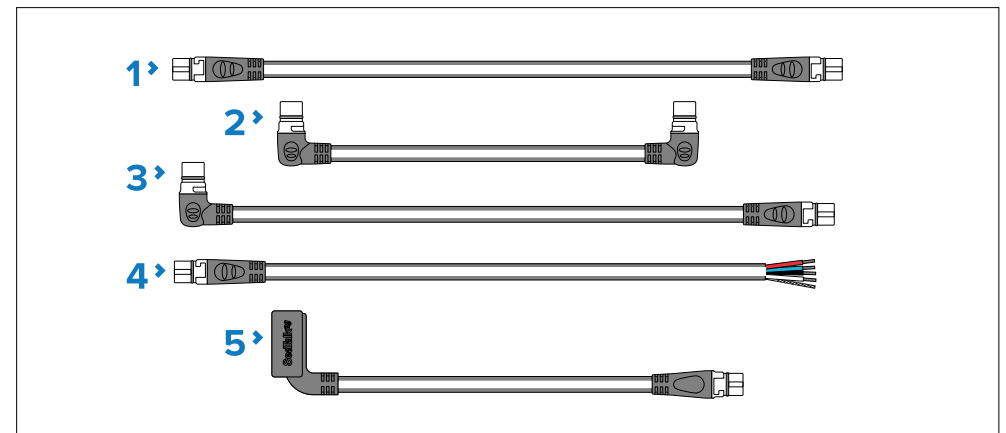
NMEA 0183 VHF 2 wire to SeaTalkng converter kit (part number: E70196) consists of:



1. 1 x Power cable 2 m (6.6 ft) (part number: **A06049**). Used to provide 12 V dc power to the SeaTalkng backbone.
2. 1 x Spur cable 1 m (3.3 ft) (part number: **A06039**). Used to connect a device to the SeaTalkng backbone.
3. 1 x NMEA 0183 VHF stripped-end (2 wire) to SeaTalkng adapter cable 1 m (3.3 ft) (part number: **A06071**). Used to connect an NMEA 0183 VHF radio to the SeaTalkng backbone via the NMEA 0183 VHF to SeaTalkng converter.
4. 1 x SeaTalk to SeaTalkng converter (part number: **E22158**). Each converter allows connection of 1 SeaTalk device and up to 2 SeaTalkng devices.
5. 2 x Spur blanking plugs (part number: **A06032**). Used to cover unused spur connections in 5-way blocks, T-piece connectors and SeaTalk to SeaTalkng converter.
6. 2 x Backbone terminators (part number: **A06031**). Terminators must be fitted to both ends of the SeaTalkng backbone.

SeaTalkng® spur cables

SeaTalkng spur cables are required to connect devices to the SeaTalkng backbone.



1. SeaTalkng spur cables:
 - Spur cable 0.4 m (1.3 ft) (part number: **A06038**).
 - Spur cable 1 m (3.3 ft)(part number: **A06039**).
 - Spur cable 3 m (9.8 ft) (part number: **A06040**).

- Spur cable 5 m (16.4 ft) (part number: **A06041**).
2. Elbow (right angled) to elbow (right angled) spur cable 0.4 m (1.3 ft) (part number: **A06042**). Used in confined spaces where a straight spur cable will not fit.
 3. Elbow (right angled) to straight spur cable 1 m (3.3 ft) (part number: **A06081**). Used in confined spaces where a straight spur cable will not fit.
 4. SeaTalkng to stripped-end spur cables (Connects compatible product that do not have a SeaTalkng connector such as transducer pods):
 - SeaTalkng to stripped-end spur cable 1 m (3.3 ft) (part number: **A06043**)
 - SeaTalkng to stripped-end spur cable 3 m (9.8 ft) (part number: **A06044**)
 5. ACU / SPX autopilot to SeaTalkng spur cable 0.3 m (1.0 ft) (part number **R12112**). Connects the course computer to the SeaTalkng backbone. This connection can also be used to provide 12 V dc power to the SeaTalkng backbone.

SeaTalkng® backbone cables

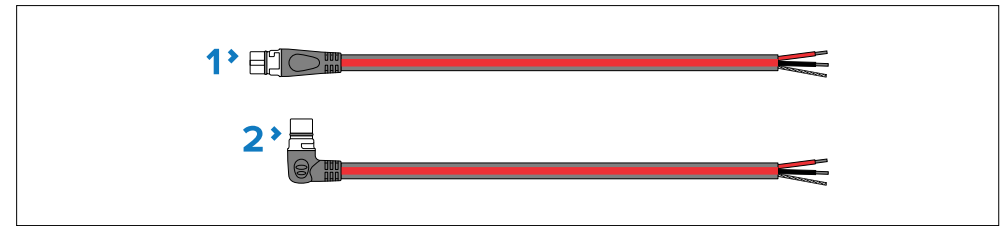
SeaTalkng backbone cables are used to create or extend a SeaTalkng backbone.



- Backbone cable 0.4 m (1.3 ft) (part number: **A06033**).
- Backbone cable 1 m (3.3 ft) (part number: **A06034**).
- Backbone cable 3 m (9.8 ft) (part number: **A06035**).
- Backbone cable 5 m (16.4 ft) (part number: **A06036**).
- Backbone cable 9 m (29.5 ft) (part number: **A06068**).
- Backbone cable 20 m (65.6 ft) (part number: **A06037**).

SeaTalkng® power cables

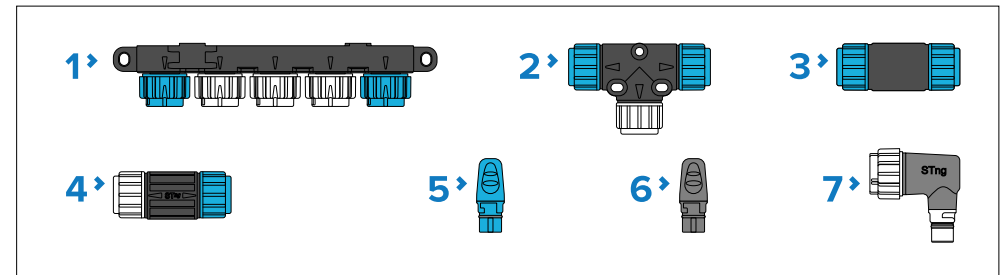
SeaTalkng power cables are used to provide the SeaTalkng backbone with a single 12 V dc power source. The power connection must include a 5 amp inline fuse (not supplied).



1. Power cable (straight) 2 m (6.6 ft) (part number: **A06049**).
2. Elbow (right angled) power cable 2 m (6.6 ft) (part number: **A06070**).

SeaTalkng® connectors

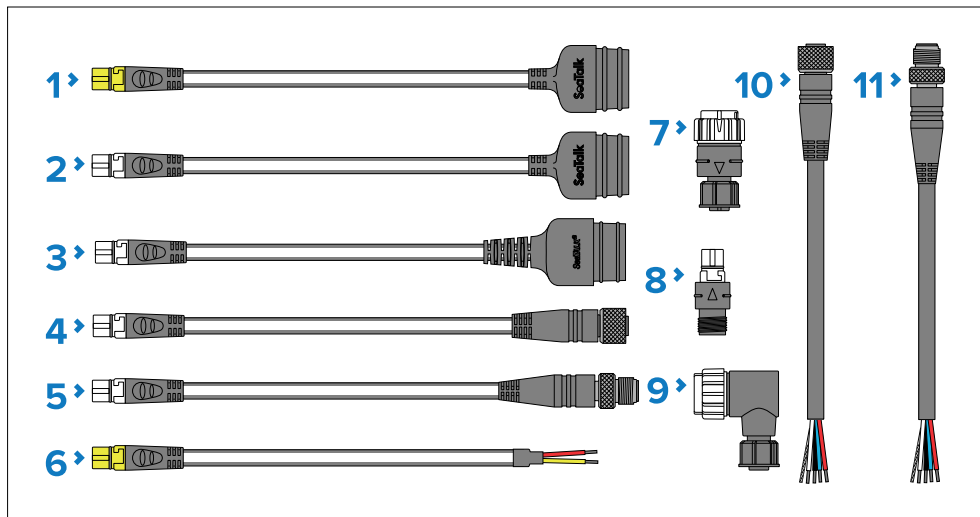
SeaTalkng connectors are used to connect SeaTalkng devices to the SeaTalkng backbone and to create and extend the backbone.



1. 5-Way connector (part number: **A06064**). Each connector block allows connection of up to 3 SeaTalkng devices. Multiple connector blocks can be 'daisy chained' together.
2. T-piece (part number: **A06028**). Each T-piece allows connection of one SeaTalkng device. Multiple T-pieces can be 'daisy chained' together.
3. Backbone extender (part number: **A06030**). Used to connect 2 backbone cables together.
4. Inline terminator (part number: **A80001**). Used to connect a spur cable and SeaTalkng device at the end of a backbone instead of a backbone terminator.
5. Backbone terminator (part number: **A06031**). Terminators must be fitted to both ends of the SeaTalkng backbone.
6. Spur blanking plug (part number: **A06032**). Used to cover unused spur connections in 5-way blocks, T-piece connectors, or the SeaTalk to SeaTalkng converter.
7. Elbow (right angled) spur connector (part number: **A06077**). Used in confined spaces where a straight spur cable will not fit.

SeaTalkng® adaptors and adaptor cables

SeaTalkng adaptor cables are used to connect devices designed for different CAN bus backbones (e.g.: SeaTalk or DeviceNet) to the SeaTalkng backbone.



1. SeaTalk (3 pin) to SeaTalkng converter cable 1 m (3.3 ft) (part number: **A22164 / A06073**). Can be used to connect a SeaTalk device to a SeaTalkng backbone via the SeaTalk to SeaTalkng converter, or to connect a SeaTalkng product directly to a SeaTalk network.
2. SeaTalk (3 pin) to SeaTalkng adaptor cable 0.4 m (1.3 ft) (part number: **A06047**). Can be used to connect a SeaTalk device to a SeaTalkng backbone via the SeaTalk to SeaTalkng converter, or to connect a SeaTalkng product directly to a SeaTalk network.
3. SeaTalk2 (5 pin) to SeaTalkng adaptor cable 0.4 m (1.3 ft) (part number: **A06048**). Used to connect SeaTalk2 devices or networks to a SeaTalkng backbone.
4. SeaTalkng to DeviceNet (female) adaptor cables connect NMEA 2000 devices that use a DeviceNet connector to the SeaTalkng backbone, or connects SeaTalkng devices to an NMEA 2000 network. The following cables are available:
 - SeaTalkng to DeviceNet (female) adaptor cable 0.4 m (1.3 ft) (part number: **A06045**).
 - SeaTalkng to DeviceNet (female) adaptor cable 1 m (3.3 ft) (part number: **A06075**).
5. SeaTalkng to DeviceNet (male) adaptor cables. Connect NMEA 2000 devices that use a DeviceNet connector to the SeaTalkng backbone, or connect SeaTalkng devices to an NMEA 2000 network. The following cables are available:
 - SeaTalkng to DeviceNet (male) adaptor cable 0.1 m (0.33 ft) (part number: **A06078**).
 - SeaTalkng to DeviceNet (male) adaptor cable 0.4 m (1.3 ft) (part number: **A06074**).
 - SeaTalkng to DeviceNet (male) adaptor cable 1 m (3.3 ft) (part number: **A06076**).
 - SeaTalkng to DeviceNet (male) adaptor cable 1.5 m (4.92 ft) (part number: **A06046**).
6. NMEA 0183 VHF stripped-end (2 wire) to SeaTalkng adapter cable 1 m (3.3 ft) (part number: **A06071**). Used to connect an NMEA 0183 VHF radio to the SeaTalkng backbone via the NMEA 0183 VHF to SeaTalkng converter.
7. SeaTalkng (male) to DeviceNet (female) adaptor (**A06082**).
8. SeaTalkng (female) to DeviceNet (male) adaptor (**A06083**).
9. SeaTalkng (male) to DeviceNet (female) elbow (right angled) adaptor (**A06084**).
10. DeviceNet (female) to stripped-end adaptor cable (0.4 m (1.3 ft) (part number: **E05026**).
11. DeviceNet (male) to stripped-end adaptor cable (0.4 m (1.3 ft) (part number: **E05027**).

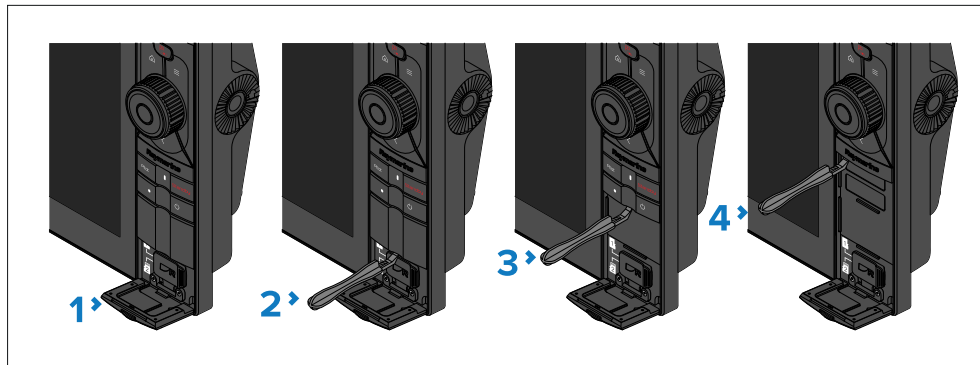
Appendix A Replacing the name plaque

The Raymarine name plaque located below the Back button on Axiom® 2 Pro displays can be replaced with an OEM-branded name plaque. OEMs can order bulk packs (qty: 40) of blank name plaques (part number: A80724), which can then have the OEM branding printed on them.

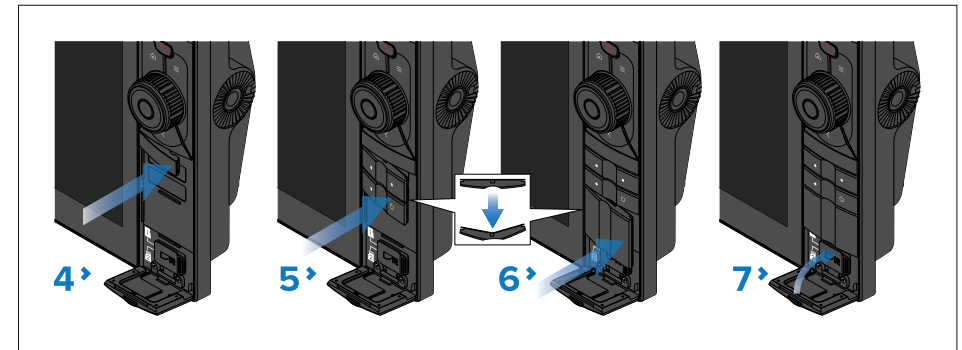
Follow the steps below to replace the name plaque.

Important:

Do NOT use metallic or sharp objects to remove the keypad or infill piece, as this could damage the keypad and/or display.



1. Open the card reader door.
2. Axiom 2 Pro 12 and Axiom 2 Pro 16 only — Using a plastic pry tool, lever the infill piece located below the lower keypad against the small plastic protrusion. This will release the infill piece from the display.
3. Using a plastic pry tool, lever the bottom of the keypad against the small plastic protrusion to release the keypad from the display.
4. Using a plastic pry tool, lever the bottom of the name plaque approximately one third of the way along the bottom of the name plaque to release it from the display.



5. Insert one edge of the new name plaque and then apply pressure to the opposite side until it clicks into position.
6. Insert one edge of the keypad and then bend the keypad slightly in the middle to allow the other edge to be inserted into the opposite side.
7. Axiom 2 Pro 12 and Axiom 2 Pro 16 only — Insert one edge of the infill piece and then bend the infill piece slightly in the middle to allow the other edge to be inserted into the opposite side.
8. Close the card reader door.

Replacement name plaque printing specification

Specification

Base material:	Black PC / ABS
Paint:	Matt black
Logo printing method:	Pad printing
Logo ink requirement:	UV resistant ink

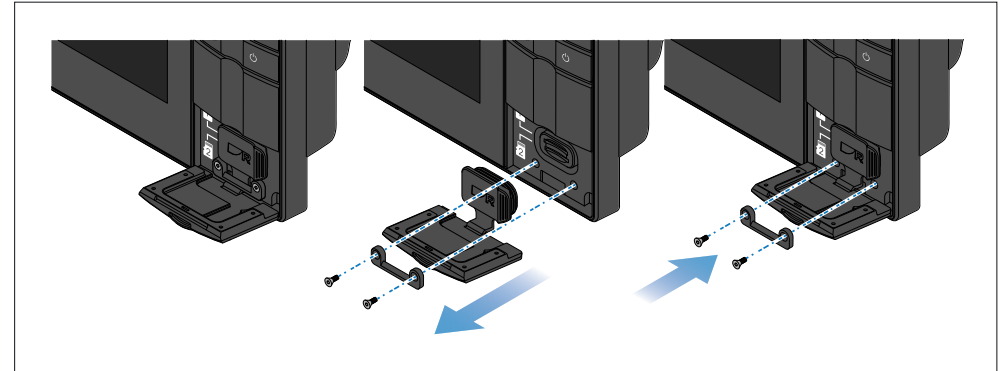
Note:

- It is the OEM's responsibility to ensure that an appropriate UV resistant ink is used for pad printing on the name plaque.
- The 'Raymarine' branding on the standard name plaque is painted using gloss black *Marabu Tampa Star TPR 980* ink, and pad printed onto the name plaque. Using this ink type and print method should be sufficient. **However, it's important that you perform your own testing to ensure suitability.** Refer to the Marabu website for ink details: <https://www.marabu-inks.com/>
- This information is provided for information only. Raymarine will not be held liable for the use of inappropriate ink or printing methods.

Appendix B Replacing the card reader door

The card reader door and card slot cover are a single piece. If the card reader door or card slot cover becomes damaged it can be replaced using the Card reader door spare (part number: R70891).

To change the Card reader door follow the steps below.



1. Open the Card reader door.
2. Unscrew the hex screws using a 1.3 mm a/f hex wrench (Allen key).
3. Remove the plastic bar.
4. Remove the Card reader door.
5. On the new Card reader door, insert the card slot cover ensuring it is correctly seated.
6. Hold the card reader door in the open position and reattach the plastic bar and secure using the hex screws, tightening the screws evenly.
7. Ensure you do not over tighten the screws.
8. Close the Card reader door ensuring that it sits flush with the bezel around the bottom of the door.

Appendix C NMEA 0183 sentences

For a list of supported NMEA 0183 sentences, please refer to the relevant Operations manual for your display.

LightHouse version	Operations manual
LightHouse 3	81360
LightHouse 4	81406

To obtain the latest version of the manual, visit: www.raymarine.com/manuals

Appendix D NMEA 2000 PGNs

For a list of supported NMEA 2000 PGNs, please refer to the relevant Operations manual for your display.

LightHouse version	Operations manual
LightHouse 3	81360
LightHouse 4	81406

To obtain the latest version of the manual, visit: www.raymarine.com/manuals

Index

A

Accessories	108
Network adapter cables	111
Network cables	110
RayNet cables	110
SeaTalkng adaptor cables	116
SeaTalkng backbone cables	115
SeaTalkng cables	113
SeaTalkng connectors	115
SeaTalkng kits	113
SeaTalkng Power cables	115
SeaTalkng spur cables	114
Accessory connection	73
Applicable documents	14
Audio	
Connections (RCA)	71
Autopilot keypad	40

B

Box contents	29–30
--------------------	-------

C

Cable	
Bend radius	50
Protection	50
Routing	50
Security	50
Strain relief	50
Cable extension	64
Cleaning	77
Screen	77
Compass safe distance	38
Compatible transducers	26
Connecting cables	52
Connections	
Accessory	51, 73
Analog camera	69

Analog video	69
Audio	71
Bare wires	52
Battery	56
Card reader	73
CHIRP transducers	64
CPT-S transducers	64, 67
DeviceNet	59
Distribution panel	55
DownVision™ transducers	64
Ethernet	60
External storage	73
General cabling guidance	50
GPS antenna	75
GPS Antenna	51
Ground	51
HDMI Out	51, 69
Network	51, 60
NMEA 2000	51, 59
Optional grounding	57
Overview	51
Power	51, 54
RayNet	51, 60–61
RealVision™ 3D transducers	63
RealVision™ Max 3D transducers	63
Rear connectors	51
SeaTalkng	59
SideVision™ transducers	64
Traditional transducers	65
Transducer	63–65, 67
Transducers	51
USB (via RCR-SDUSB)	73
Video	51
Wire	52
Contact details	89

D

Declaration of Conformity	10
Dedicated grounding	57
Diagnostics	90
Dimensions	32

Documentation	14
---------------------	----

E

e-Label	10
Electromagnetic Compatibility	37
EMC, See Electromagnetic Compatibility	
Ethernet connection	60
External storage	73

F

Factory reset	80
Flush mounting	45
Fuse rating	54

G

GNSS antenna connection	75
GPS antenna connection	75

H

HDMI Out	
Resolutions	69

I

Installation	45, 47
Best practice	56
Flush mount	45
Mounting options	40
Surface mount	48
Trunnion mounting	41, 43
Interference	38
See <i>also</i> Compass safe distance	
RF	38
IP address	90

K

Keypad	40
--------------	----

L

Legacy adaptor	15
Location requirements	
General	34
GNSS	34
GPS	34
Touchscreen	36
Viewing angle	37
Wireless	36
Wireless interference	37

M

Maintenance	77
MFD transducers	26

N

Name plaque	117
Network	
cables	111
Network connection	60
NMEA 0183	119
Sentences	119
NMEA 2000	119
PGN list	119
NMEA 2000 connection	59

O

Operation instructions	
LightHouse 4	15

P

Parts supplied	29–30
Pilot keypad	40
Power	
Battery connection	56
Distribution	54
Distribution panel	55
Grounding	56

Sharing a breaker	55
Power connection	54
Power troubleshooting	79
Product Dimensions	32
Product documentation	14
Product information	90
Product overview	17
Product recycling (WEEE)	12
Product support	89

R

Radio Frequency (RF) interference	38
RayNet	
cables	110–111
RayNet cable	61
RayNet connection	60
Recovery mode	80
Regulatory standards	10
RJ45	
cables	111
Routine checks	77

S

SeaTalkhs	
cables	111
SeaTalkng	
Adaptor cables	116
Backbone cables	115
Connectors	115
Kits	113
Power cables	115
Spur cables	114
SeaTalkng cables	113
SeaTalkng connection	59
Service Center	89
Servicing	77
Software updates	37
Sonar range	95, 100, 105
Spares	108
Support forum	91

Suppression ferrite	61
Surface mounting	47
System examples	18

T

Technical specification	
Approvals	95, 100, 105
Compliance	95, 100, 105
Connections specification	94, 99, 104
Environmental specification	93, 98, 103
Internal GNSS receiver specification	94, 99, 104
LCD specification	93, 98, 103
Physical specification	93, 98, 103
Power specification	93, 98, 103
Product markings	10
Technical support	89, 91
Tools required	41–42, 44, 46
Bracket mounting	41–42
Flush mounting	44
Surface mounting	46
Trunnion mounting	41–42
Training courses	91
Transducers	26
Transducers, compatibility	108
Troubleshooting	79
GNSS	80
GNSS (GPS)	80
GPS	80
Typical system	18

V

Ventilation	34
Video connection	69

W

Warranty	12, 89
WEEE Directive	12
What's in the box	29–30



Raymarine (UK / EU)

Marine House, Cartwright Drive,
Fareham, Hampshire.
PO15 5RJ.
United Kingdom.

Tel: (+44) (0)1329 246 700

www.raymarine.co.uk

Raymarine (US)

110 Lowell Road,
Hudson, NH 03051.
United States of America.

Tel: (+1) 603-324-7900

www.raymarine.com



Raymarine®