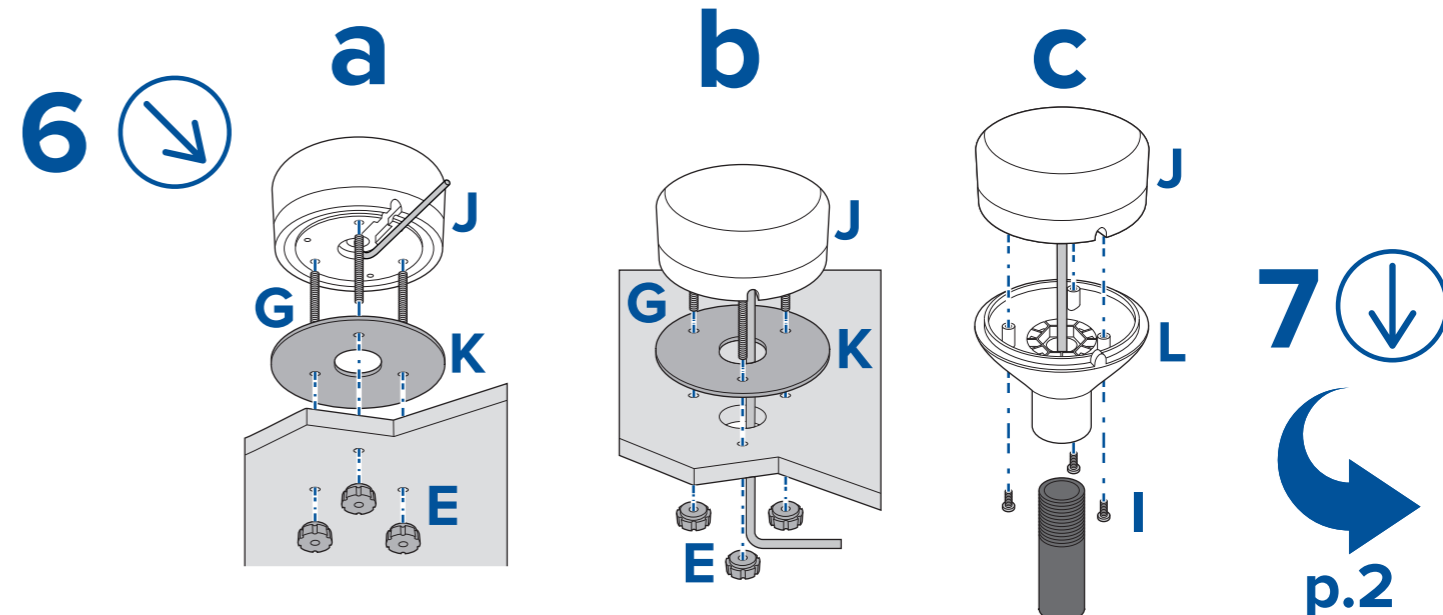
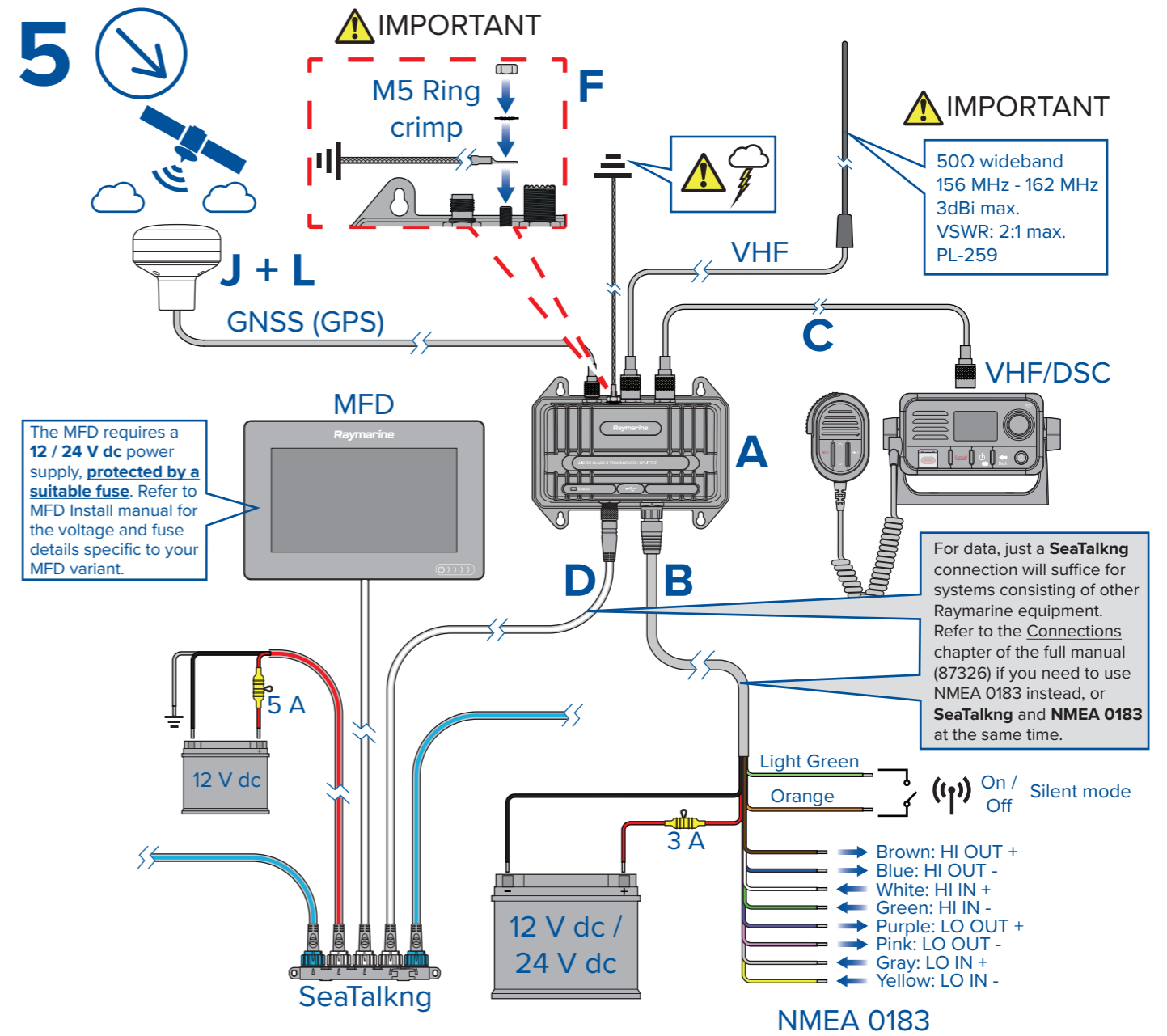
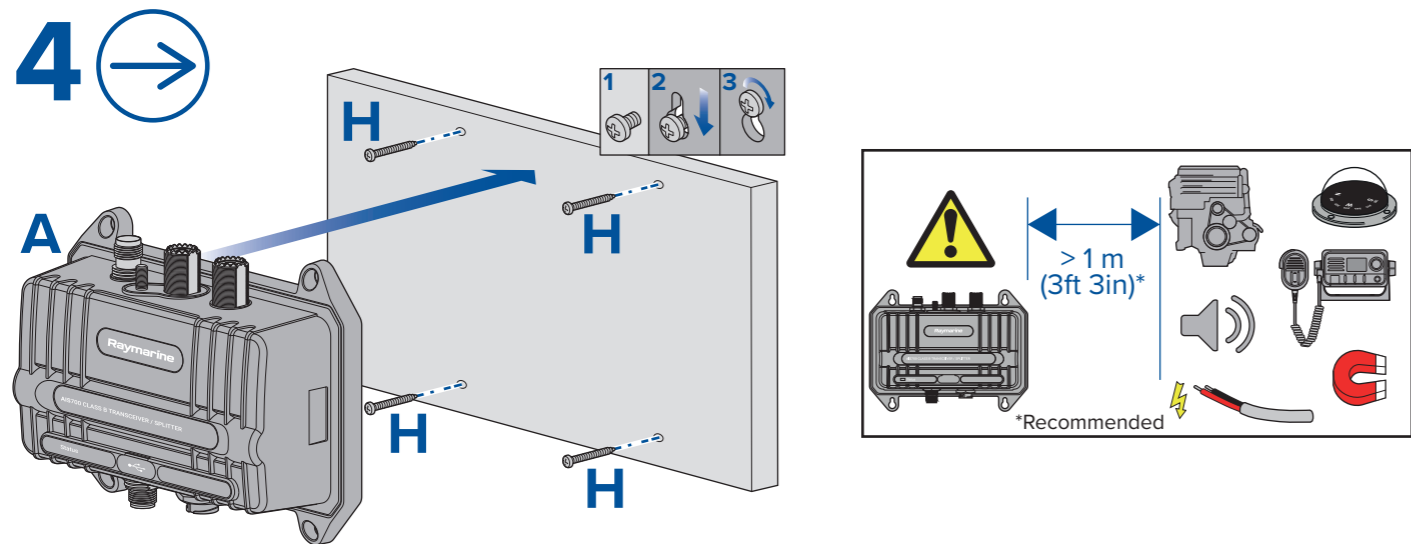
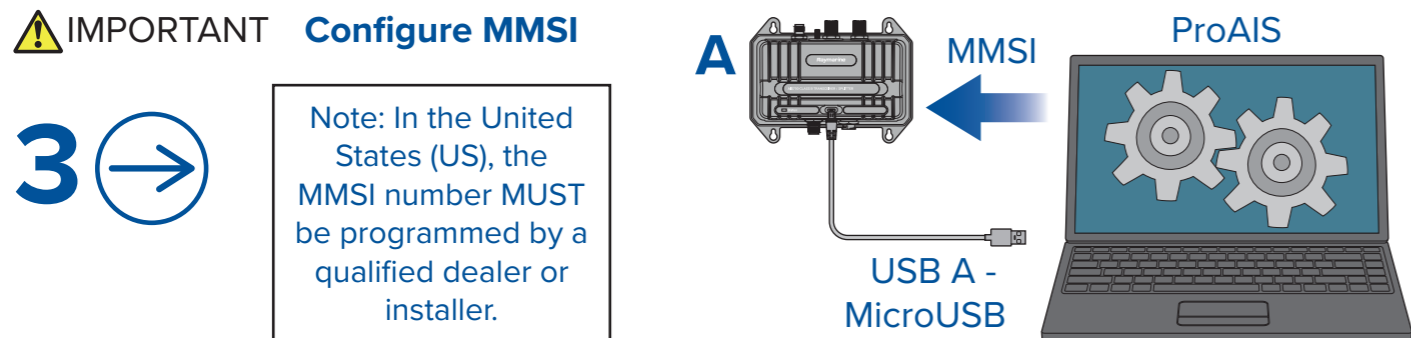
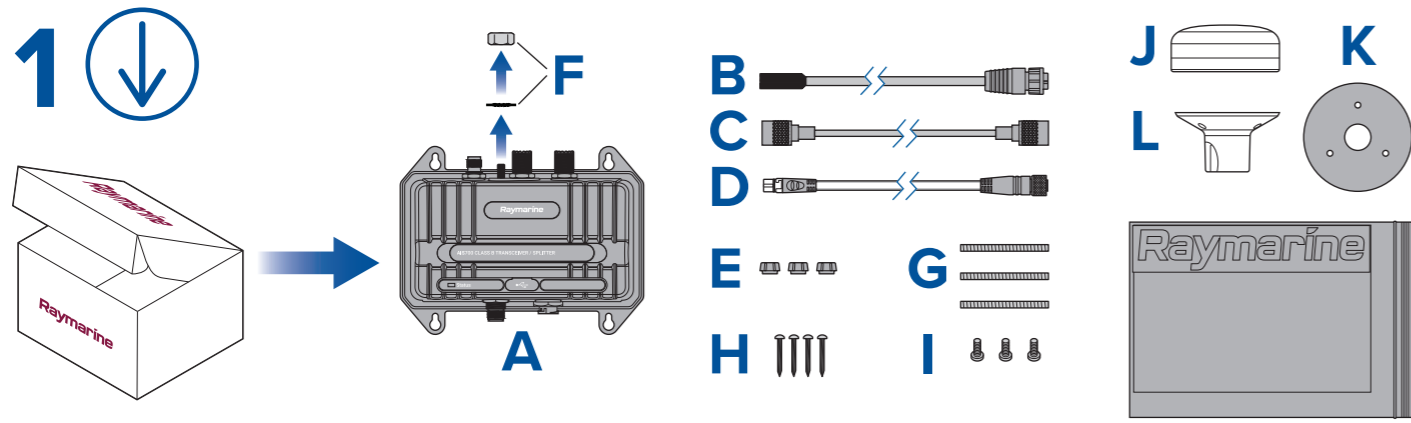


# Raymarine AIS700



## Operations

7 →

**a / c / e / gS / eS Series**




Chart app

LH2: Menu > Presentation > Overlays > AIS > ON

81360

---

**Axiom**




Chart app

LH3: Menu > Settings > Layers > AIS > ON

81370

---

**Element**

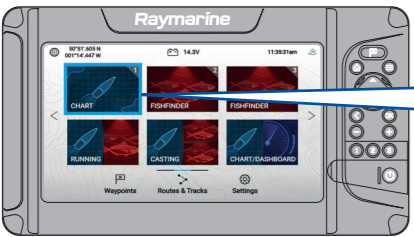
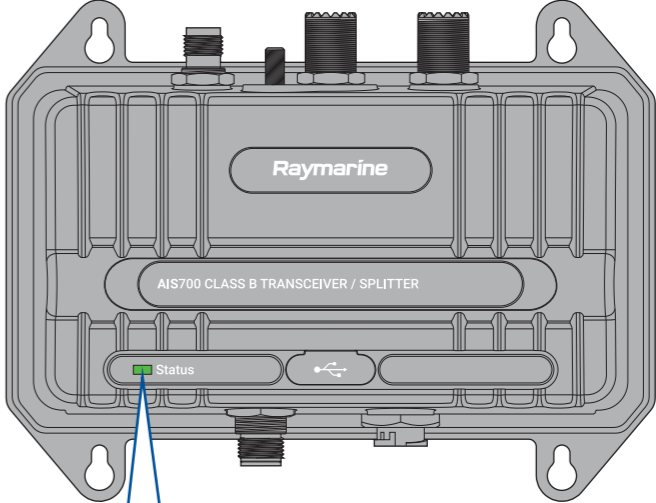


Chart app

LHS: Menu > AIS Targets > Target Settings > AIS > ON





81388

## Status

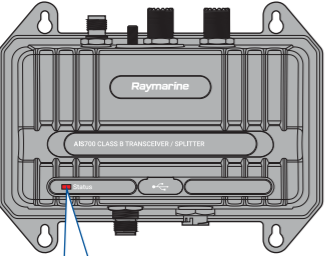


AIS700 CLASS B TRANSDUCER / SPLITTER

Status

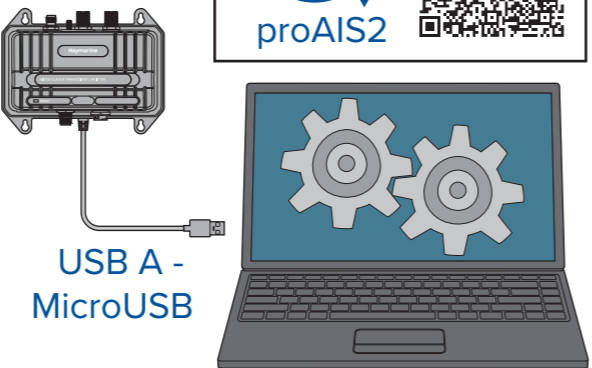
-  (P) ✓ **(Green) = OK**
-  | ✗ **(Orange) = Error & Not transmitting**
-  | ✗ **(Red) = Not programmed / Error / Fault**
-  | — — **(Blue) = Silent mode**

## Troubleshooting



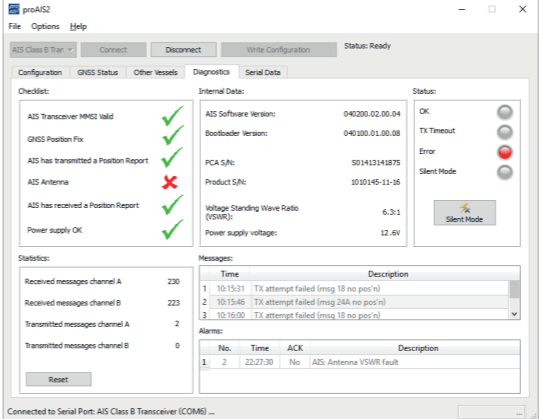
Orange / Red

→



USB A - MicroUSB

→



Connect > Diagnostics

proAIS2

Configuration: AIS Class B Transceiver

Checklist:

- AIS Transceiver MMSI valid ✓
- GNSS Position Fix ✓
- AIS has transmitted a Position Report ✓
- AIS Antenna ✗
- AIS has received a Position Report ✓
- Power supply OK ✓

Internal Data:

- AIS Software Version: 040200.02.00.04 OK
- Bootloader Version: 040100.01.00.08 TX Timeout
- PCA S/N: 001412141875 Error
- Product S/N: 1010145-11-95 Silent Mode
- Wave Standing Wave Ratio (SWR): 6.3:1
- Power supply voltage: 12.6V

Statistics:

Received messages channel A: 230

Received messages channel B: 223

Transmitted messages channel A: 2

Transmitted messages channel B: 0

Alarms:

No.	Time	ACK	Description
1	22:27:30	No	AIS Antenna VSWR fault

→

**Troubleshooting Guide**

