

Trolling motor installation

Refer to the documentation included with the trolling motor accessories (000-0051-45).

Technical specifications

Environmental	Mid/High Skimmer	Low/High Skimmer
Operating temperature	0°C to +50°C (32°F to +122°F)	0°C to +50°C (32°F to +122°F)
Storage temperature	-30°C to +70°C (-22°F to +158°F)	-30°C to +70°C (-22°F to +158°F)
Physical		
Weight (without cable)	0.11 kg (0.24 lbs)	0.37 kg (0.81 lbs)
Cable length	6 m (19.5 ft)	6 m (19.5 ft)
Mounting options	Transom, trolling motor, shoot-thru-hull	Transom, shoot-thru-hull
Sonar		
Output	Depth and temperature	Depth and temperature
Frequency	Medium/High CHIRP (83/200 kHz)	Low/High CHIRP (50/200 kHz)
Beam width (at -3dB)	38° at 83 kHz 17° at 200 kHz	29° at 50 kHz 12° at 200 kHz
Depth (down to)	304 m (1000 ft) at 200 kHz	914 m (3000 ft) at 50 kHz
Speed (up to) (transom mount)	60 knots (70 mph)	60 knots (70 mph)

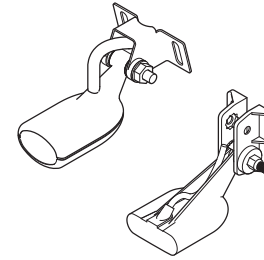
→ **Note:** When mounted in-hull or shoot-thru-hull the transducer will read the temperature at the transducer's location.

LOWRANCE

SIMRAD

B&G

SKIMMER TRANSDUCERS INSTALLATION GUIDE



For product manuals, technical specifications, certificates and declarations refer to the product website:

www.lowrance.com

www.simrad-yachting.com

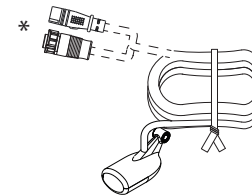
www.bandg.com



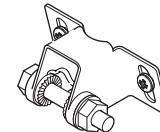
Parts included

Mid/High Skimmer

Transducer with cable



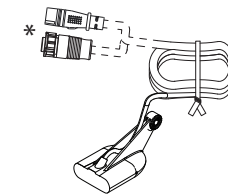
Bracket kit



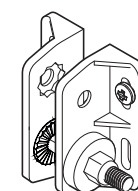
* Available with different connectors

Low/High Skimmer

Transducer with cable

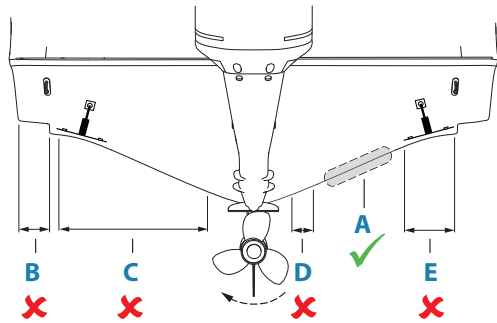


Bracket kit



Mounting guidelines

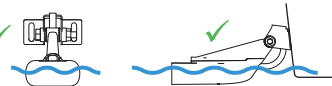
The transducer could lose bottom signal when the boat is on plane. The transducer will not work while it is out of the water. If your boat has a counterclockwise propeller rotation configuration mirror the example shown in the illustration below.



Best mounting location:
A. undisturbed water flow

Avoid mounting:
B. behind planing strake
C. 1 m (3.3') to port (left) of propeller
D. within 7.5 cm (3") to starboard of propeller
E. close to trim tabs

Mount the transducer parallel to the water surface. ✓



Shoot-thru-hull installation

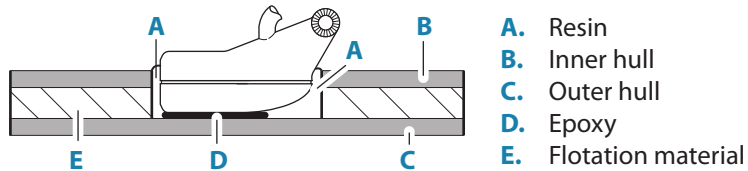
Warning: Do not remove any material from your inner hull unless you know the hull's composition. Contact your boat dealer or manufacturer to confirm your hull specifications.

Shoot-thru-hull transducers cannot shoot through:

- wood hulls
- metal hulls

Before you epoxy the transducer to the hull, make sure that:

- the area is clean, dry and free of oil or grease
- the surface of the hull is flat so the entire transducer face is in contact with the hull

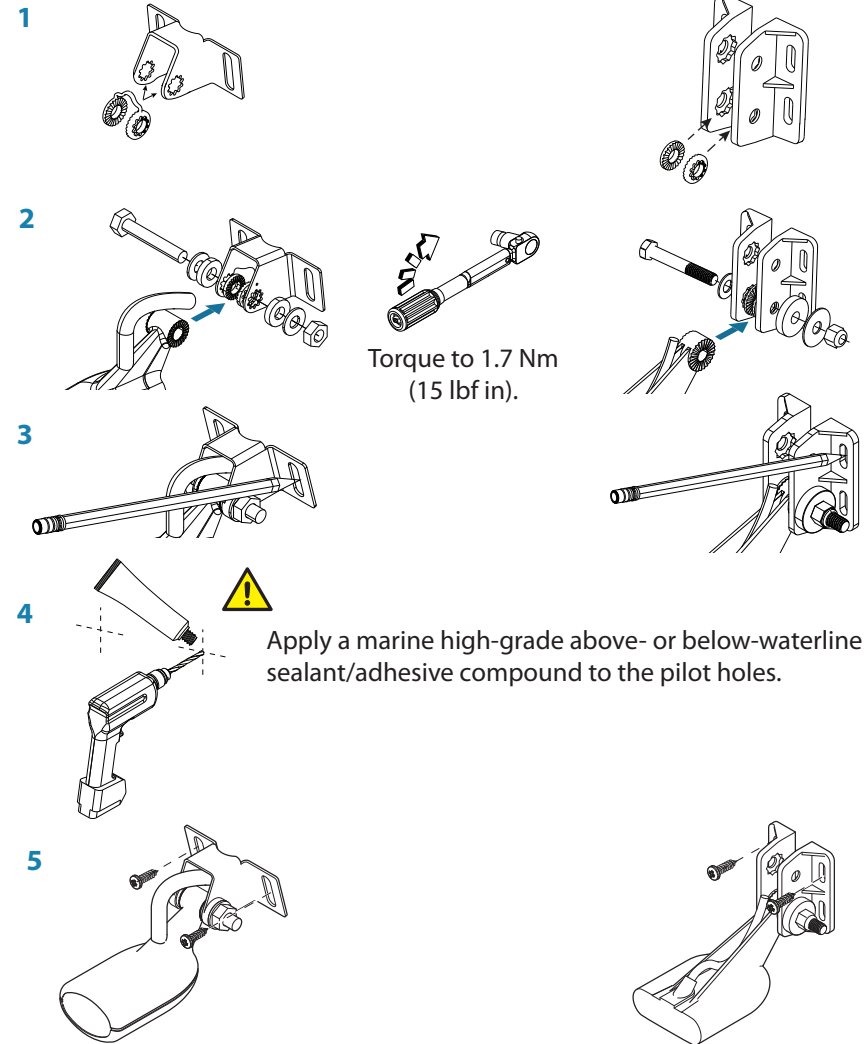


1. Sand smooth the face of the transducer and the bottom of the inner hull.
2. Apply epoxy to the face of the transducer and the bottom of the inner hull.
3. Glue the transducer to the inner hull (D).
4. Apply pressure to the transducer while the epoxy is setting.

Transom mount

Mid/High Skimmer

Low/High Skimmer



Torque to 1.7 Nm
(15 lbf in).

Apply a marine high-grade above- or below-waterline sealant/adhesive compound to the pilot holes.

Warning: Recommended pilot holes:

Material	10# screw
Soft materials e.g. Plywood	Ø 3.7-4.0 mm (5/32")
Hard materials e.g. Fiberglass, Acrylic, Hardwoods	Ø 4.1-4.7 mm (3/16")