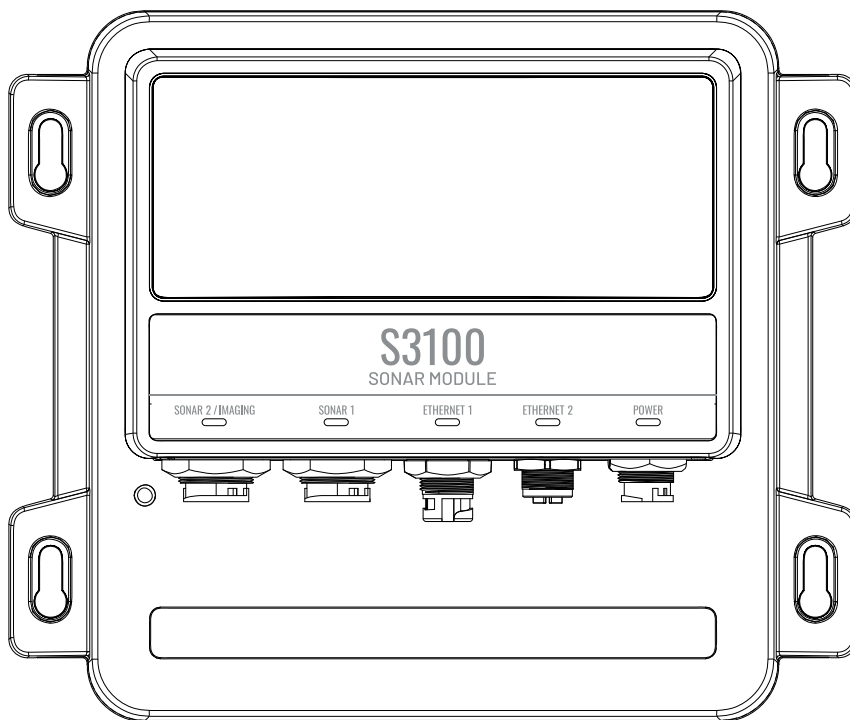
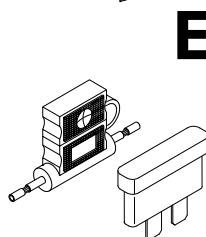
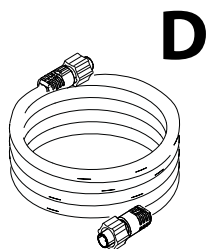
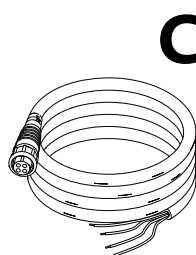
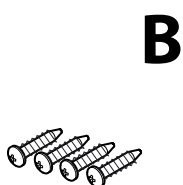
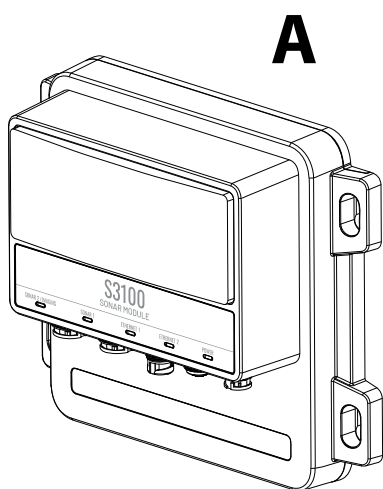


S3100 Sounder INSTALLATION GUIDE



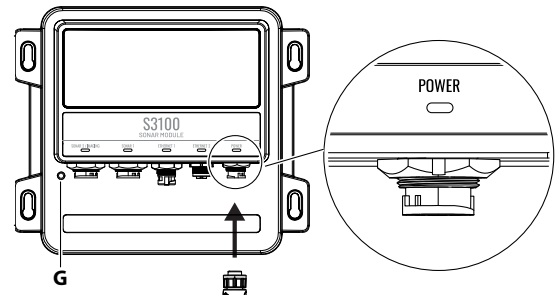
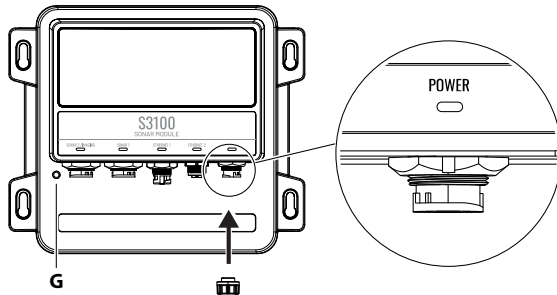
Parts included



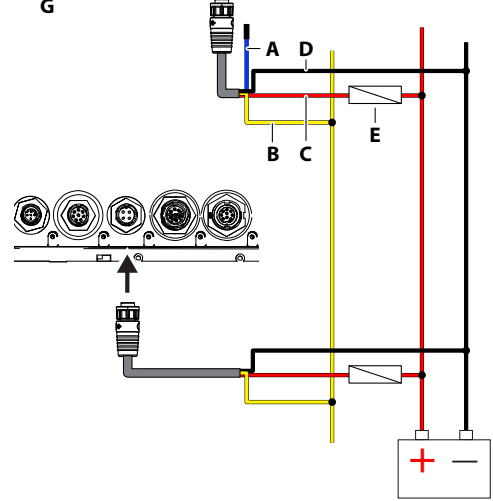
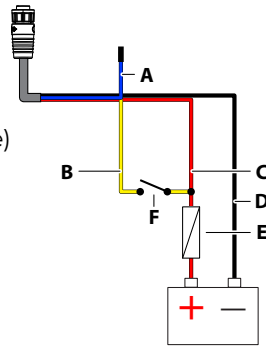
- A.** S3100 sounder
- B.** Mounting screws
- C.** Power cable
- D.** Ethernet cable
- E.** Fuse and fuse holder



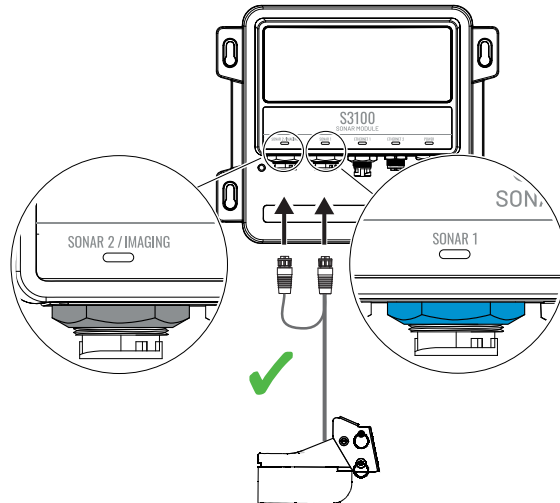
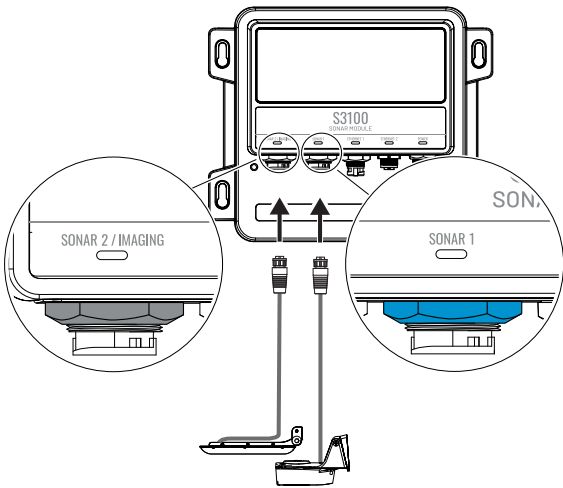
Power



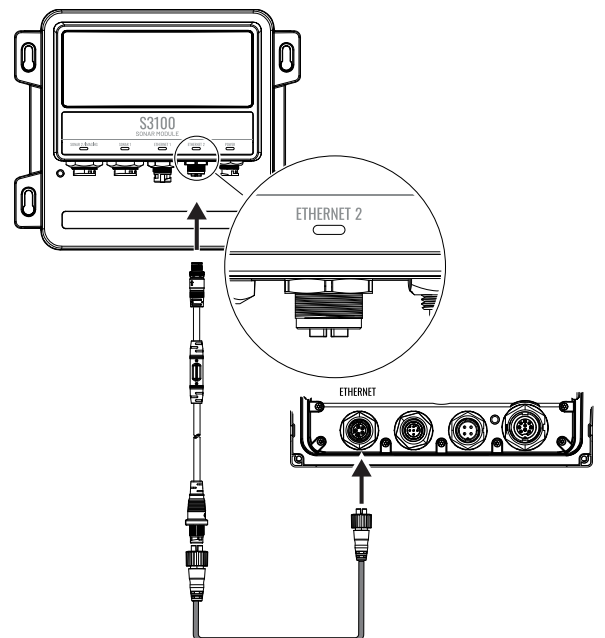
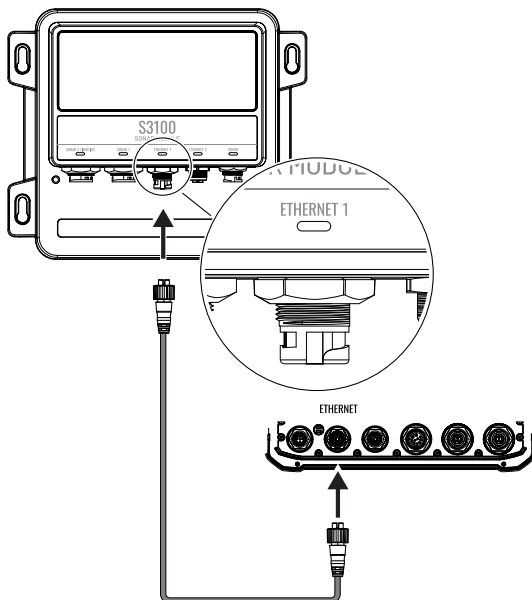
- A. Ping synchronization (blue)
- B. Power control (yellow)
- C. 12/24 V DC (red)
- D. DC Negative (black)
- E. Fuse 5 A
- F. Switch
- G. Grounding terminal



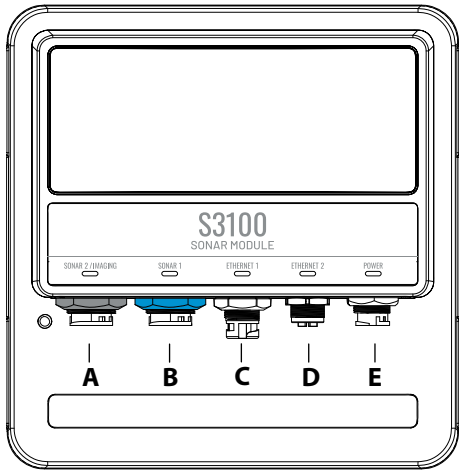
Transducer



Ethernet

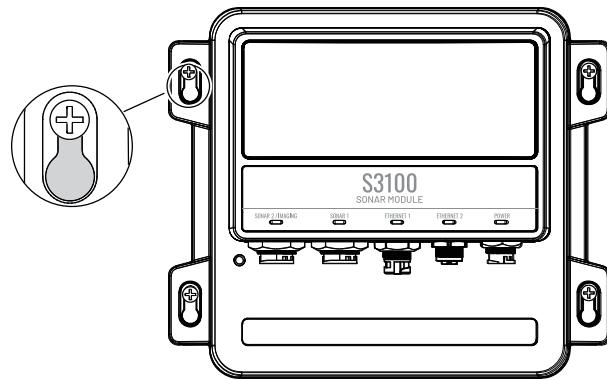
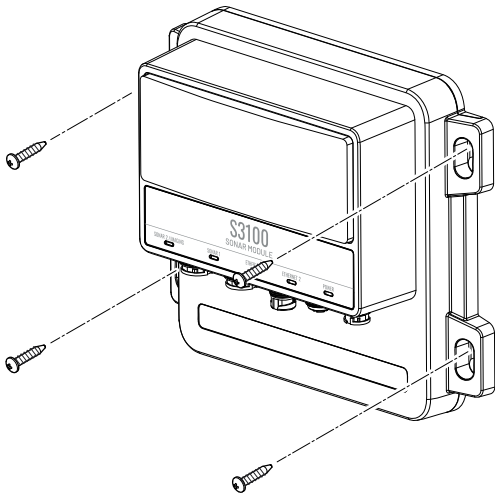


Connectors and LEDs

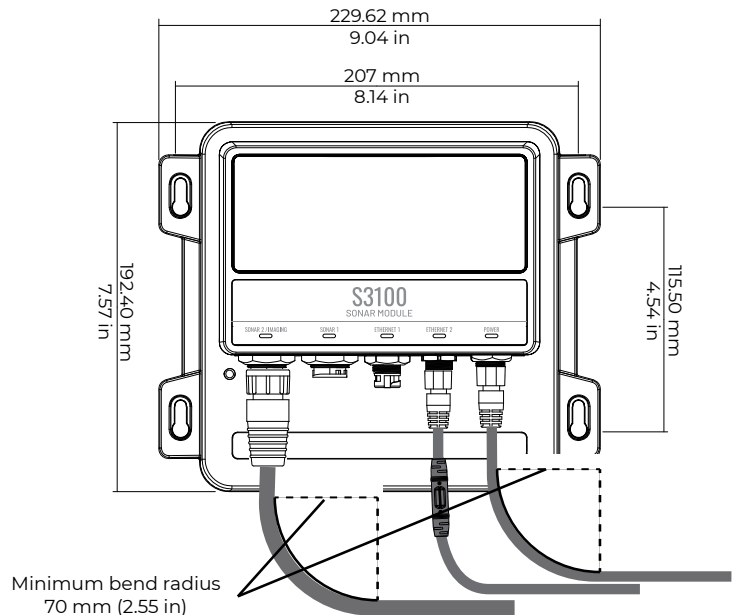
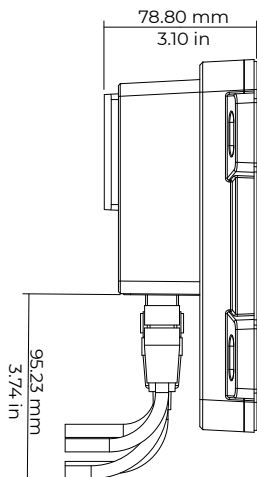


Connector	LED	Status
A Sonar 2/Imaging (black)	Off	Sounder not operating
	Flashing - green	Searching for bottom signal
	On	System operating with bottom signal
B Sonar 1 (blue)	Off	Sounder not operating
	Flashing - green	Searching for bottom signal
	On	System operating with bottom signal
C Ethernet 1	Off	No connection
	On - green	Valid connection without data transfer
	Flashing - green and orange	Active connection with data transfer
D Ethernet 2	Off	No connection
	On - green	Valid connection without data transfer
	Flashing - green and orange	Active connection with data transfer
E Power	Off	No power
	On - dim red	Power applied, system is powered off or overvoltage
	On - red	System booting
	On - green	System operating

Mounting



Dimensions



Technical specifications

Environmental			
Operating temperature	-15° C to 55° C (5° F to 131° F)		
Storage temperature	-20° C to 60° C (4° F to 140° F)		
Waterproof rating	IPX6 and IPX7		
Electrical			
Supply voltage	12 - 24 V DC (10.5 - 31.2 V DC)		
Recommended fuse rating	5 A		
Reverse polarity protection	Yes		
Power consumption (maximum)	Max: 0.8 A; Typical: 0.6 A; Inrush: 3 A pk; >2.5 A for < 0.5 ms		
Physical			
Dimensions	See mounting template		
Weight	0.9 kg (1.9 lbs)		
Compass safe distance	0.13 m (5.1 in)		
Interface/connectivity			
Sonar	1 port sonar 9-pin X Sonic® (blue)	Sonar	Low, Medium, and High CHIRP up to 1 kW
		DownScan	455 kHz, 800 kHz, 700 kHz CHIRP, 1200 kHz CHIRP
		SideScan	No
	1 port imaging 9-pin X Sonic® (black)	Sonar	Low, Medium, and High CHIRP up to 1 kW
		DownScan	455 kHz, 800 kHz, 700 kHz CHIRP, 1200 kHz CHIRP
		SideScan	455 kHz, 800 kHz, 455 kHz CHIRP, 1075 kHz CHIRP
Ethernet	1 port (5-pin)		
	1 port (12-pin)		

The future of our waters matters. That's why the S3100 sonar module is manufactured using recycled plastics, as part of our ongoing commitment to sustainability.

More information

Document version: 001

For the latest version of this document in supported languages and other related documentation, visit www.simrad-yachting.com/downloads/S3100.

Safety, disclaimer, and compliance

This product's safety, disclaimer, and compliance statements are supplied as a separate document.

Warranty

This product's warranty is supplied as a separate document.

Trademarks

®Reg. U.S. Pat. & Tm. Off, and ™ common law marks. Visit www.navico.com/intellectual-property to review the global trademark rights and accreditations for Navico Group and other entities.

Copyright

© 2023 Navico Group. All Rights Reserved. Navico Group is a division of Brunswick Corporation.