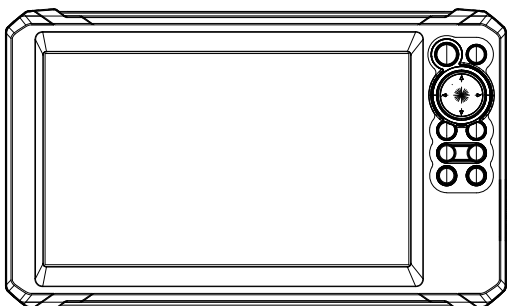
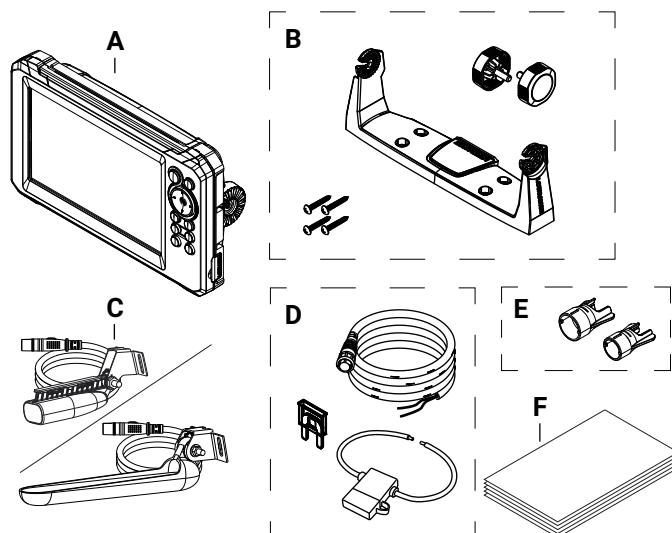


EAGLE® 7 & 9 Installation Guide



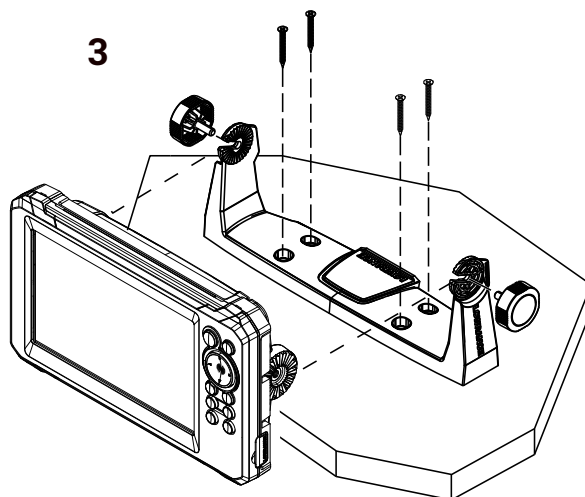
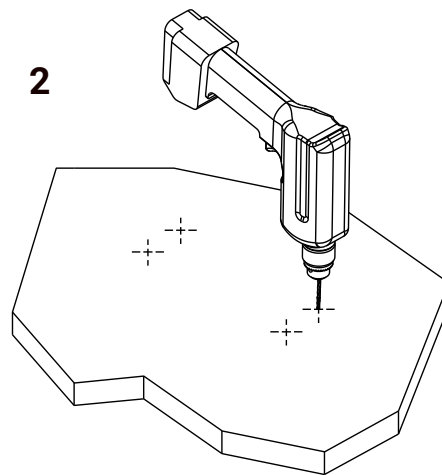
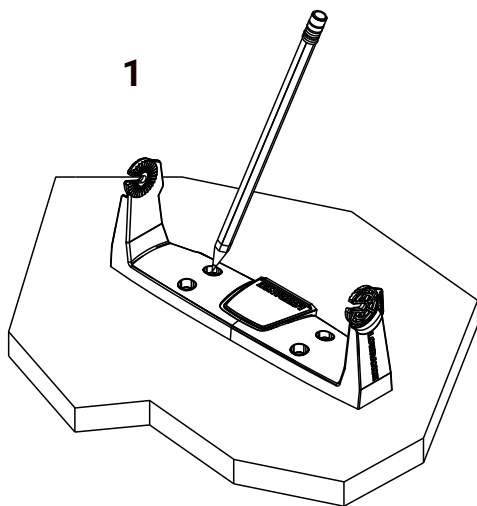
In the box



- A EAGLE 7 or 9 display unit
- B Gimbal kit
- C SplitShot or TripleShot skimmer transducer
- D Power cable kit
- E Cable lock collars
- F Documentation pack



Gimbal mounting

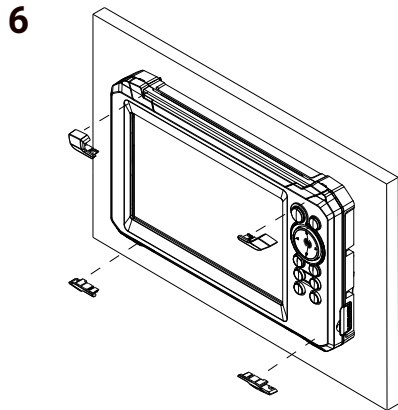
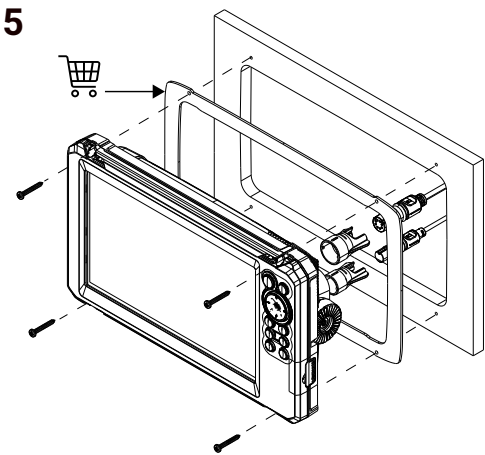
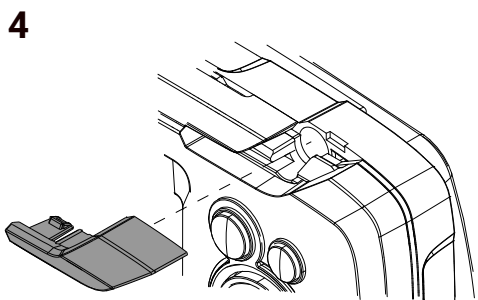
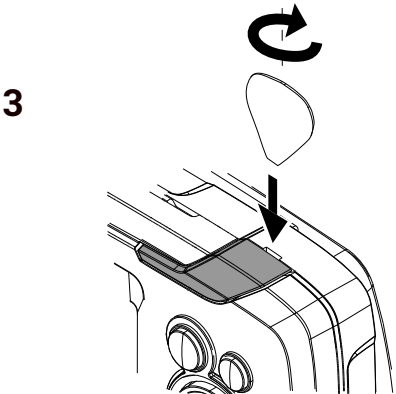
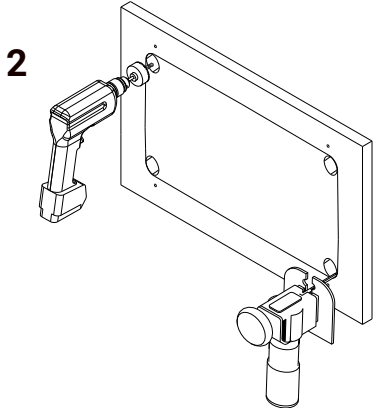
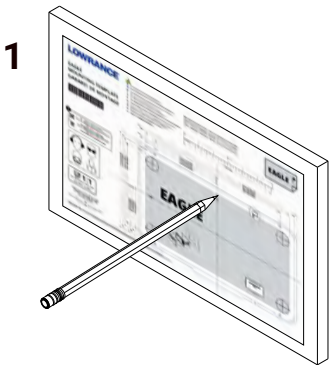


Recommended pilot holes

Soft/hard materials	Ø 3.8 – 4.8 mm (3/16")
---------------------	------------------------

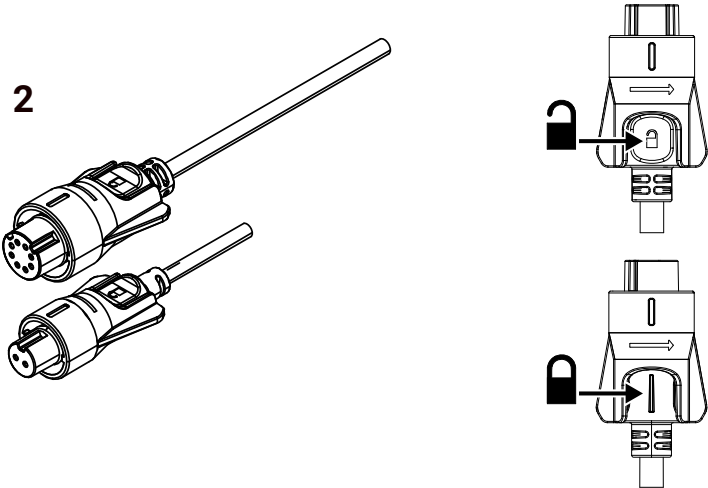
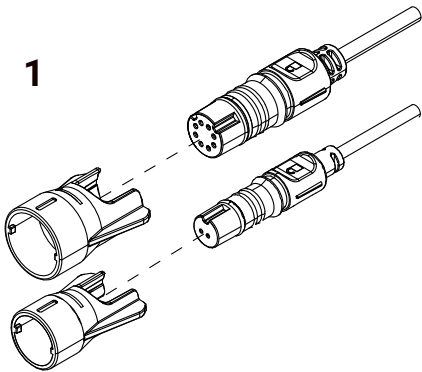
⚠ WARNING: Always wear appropriate eyewear, ear protection, and dust mask when drilling, cutting, or sanding. Remember to check the reverse side of all surfaces whenever drilling or cutting.

Panel mounting

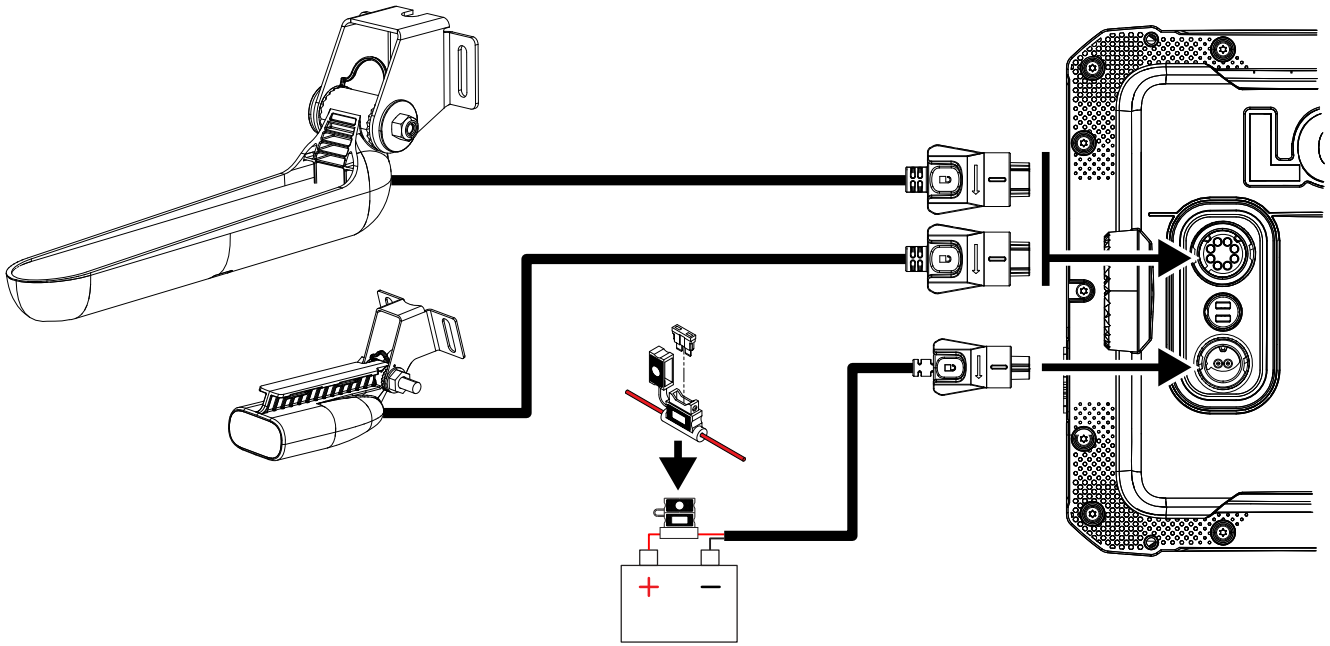


WARNING: Panel mounting may affect GPS performance.

Cable lock collar



Wiring

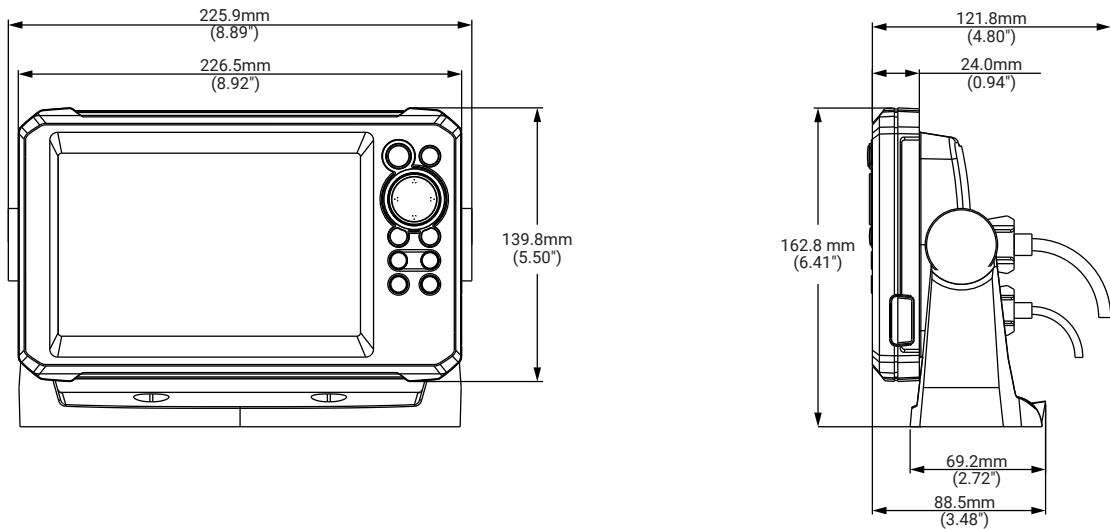


→ Note:

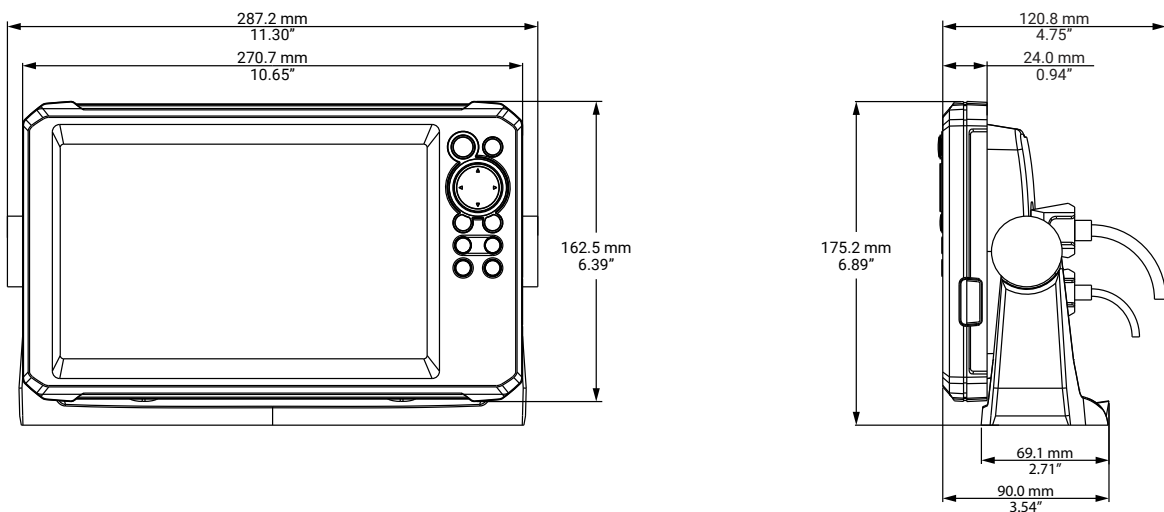
- Connect either a SplitShot or TripleShot transducer.
- Refer to included transducer installation information.

Dimensions

EAGLE 7



EAGLE 9




Technical specifications

	7"	9"
Display		
Resolution	800 x 480	1024 x 600
Viewing angles in degrees	85° top/bottom/left/right	
Electrical		
Supply voltage	12 V DC (10.8 - 18 V DC)	
Power consumption (max)	6.6 W (550 mA at 12 V DC)	7.68 W (640 mA at 12 V DC)
Recommended fuse rating	3 A	
Environmental		
Operating temperature range	-15°C to 55°C (5°F to 131°F)	
Storage temperature	-20°C to 60°C (4°F to 140°F)	
Waterproof rating	IPX7	
Interface/Connectivity		
Sonar	1 port (SplitShot and TripleShot compatible)	
Card reader	1 slot (microSD® 32 GB maximum)	
Physical		
Dimensions	Refer to dimensions section in this document	
Weight (display only)	0.67 kg (1.48 lb)	0.9 kg (1.98 lb)
Mounting type	Panel mount or gimbal mount	

Accessories

The following accessories are sold separately and available from your local retailer.

		7"	9"
	Suncover	000-16250-001	000-16251-001
	Dash gasket kit	000-16254-001	000-16255-001

Trademarks

®Reg. U.S. Pat. & Tm. Off, and ™ common law marks.

Visit www.navico.com/intellectual-property to review the global trademark rights and accreditations for Navico Group and other entities.

- Navico® is a trademark of Navico Group.
- Lowrance® is a trademark of Navico Group.
- EAGLE® is a trademark of Navico Group.
- SD® and microSD® are trademarks of SD-3C, LLC.

