


## Technical specifications

<b>Display</b>	
Resolution	800 x 480
Viewing angles in degrees	80° top/bottom/left/right
<b>Electrical</b>	
Supply voltage	12 V DC (10.8 - 18 V DC)
Power consumption (max)	3.48 W (290 mA at 12 V DC)
Recommended fuse rating	3 A
<b>Environmental</b>	
Operating temperature range	-15°C to 55°C (5°F to 131°F)
Storage temperature	-20°C to 60°C (4°F to 140°F)
Waterproof rating	IPX7
<b>Interface/Connectivity</b>	
Sonar	1 port (SplitShot and TripleShot compatible)
Card reader	1 slot (microSD® 32 GB maximum)
<b>Physical</b>	
Dimensions	Refer to dimensions section in this document
Weight (display only)	0.46 kg (1.01 lb)
Mounting type	Panel mount or gimbal mount

## Accessories

The following accessories are sold separately and available from your local retailer.

	Suncover	000-16249-001
	Dash gasket kit	000-16253-001

## Trademarks

©Reg. U.S. Pat. & Tm. Off, and ™ common law marks. Visit [www.navico.com/intellectual-property](http://www.navico.com/intellectual-property) to review the global trademark rights and accreditations for Navico Group and other entities.

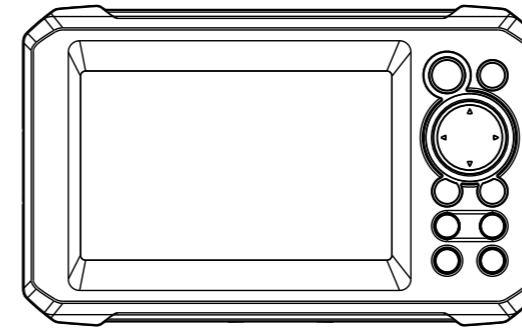
- Navico® is a trademark of Navico Group.
- Lowrance® is a trademark of Navico Group.
- EAGLE® is a trademark of Navico Group.
- SD® and microSD® are trademarks of SD-3C, LLC.



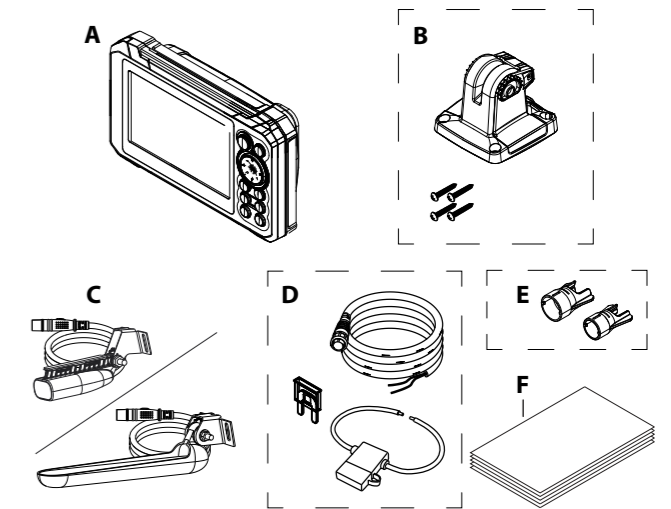
[www.lowrance.com](http://www.lowrance.com)

# LOWRANCE®

## EAGLE® 5 Installation Guide and Mounting Template

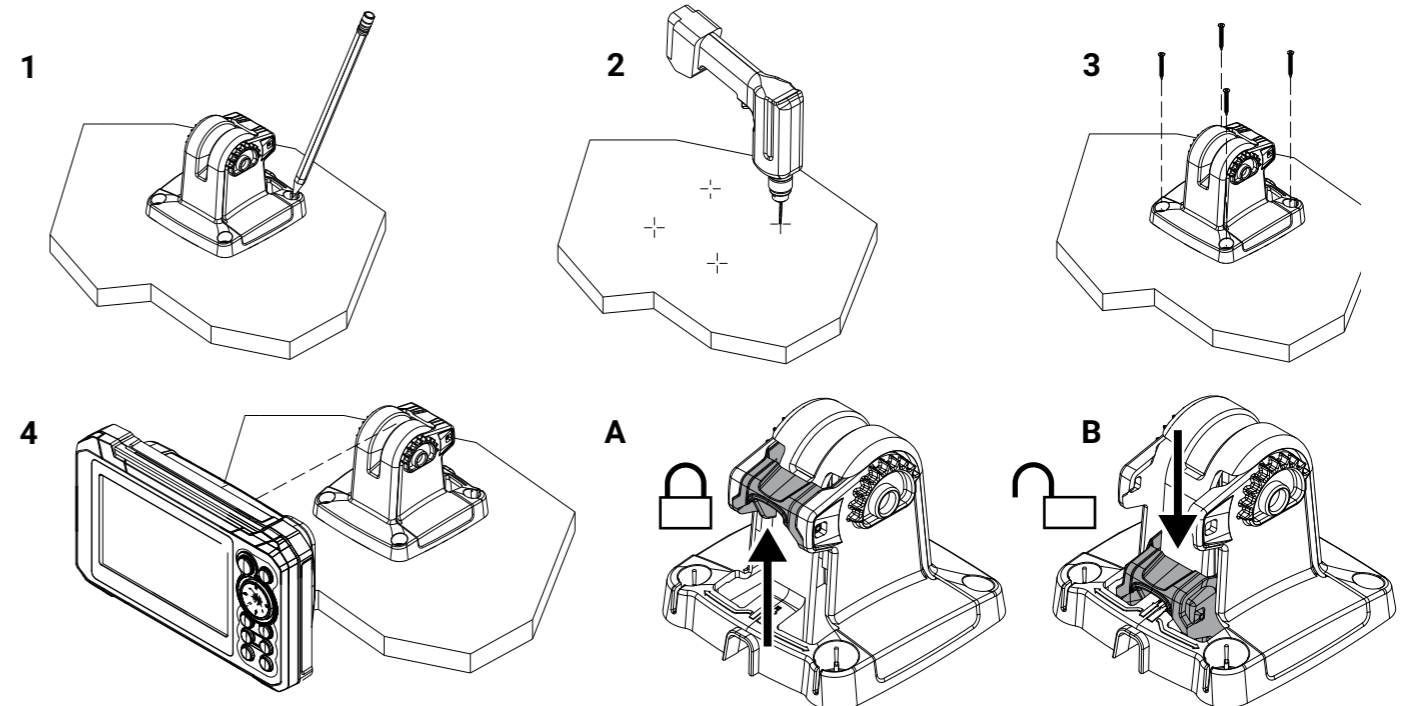


## In the box



- A EAGLE 5 display unit
- B Gimbal kit
- C SplitShot or TripleShot skimmer transducer
- D Power cable kit
- E Cable lock collars
- F Documentation pack

## Gimbal mounting

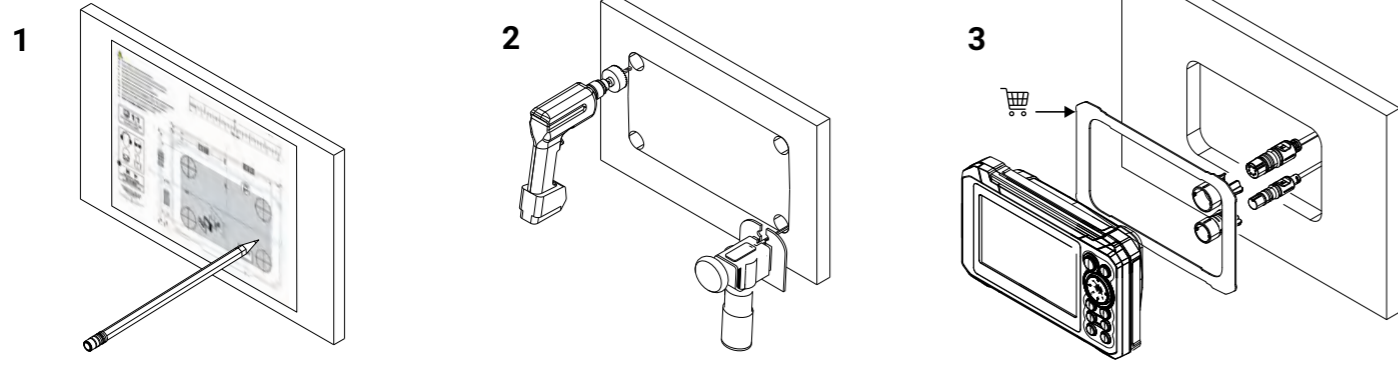


**WARNING:** Always wear appropriate eyewear, ear protection, and dust mask when drilling, cutting, or sanding. Remember to check the reverse side of all surfaces whenever drilling or cutting.

Recommended pilot holes

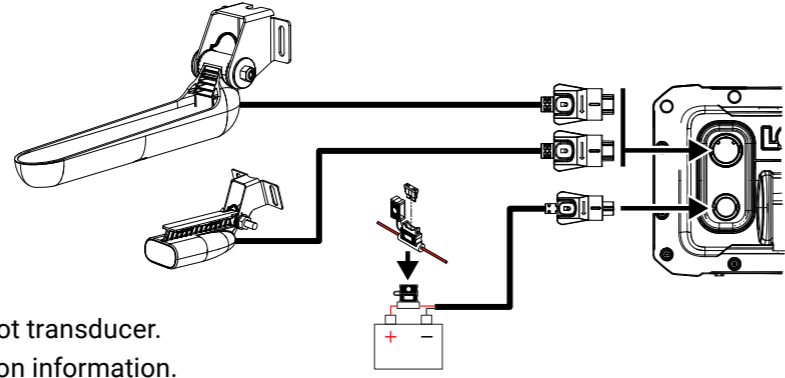
Soft/hard materials  $\varnothing$  3.8 – 4.8 mm (3/16")

## Panel mounting



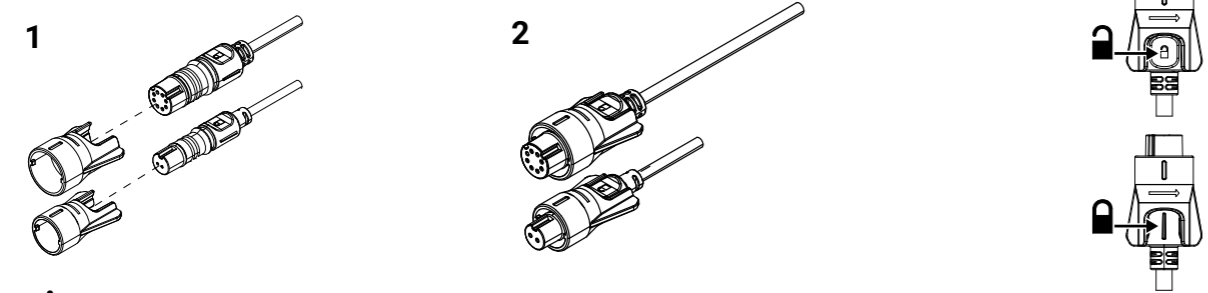
**WARNING:** Panel mounting may affect GPS performance.

## Wiring

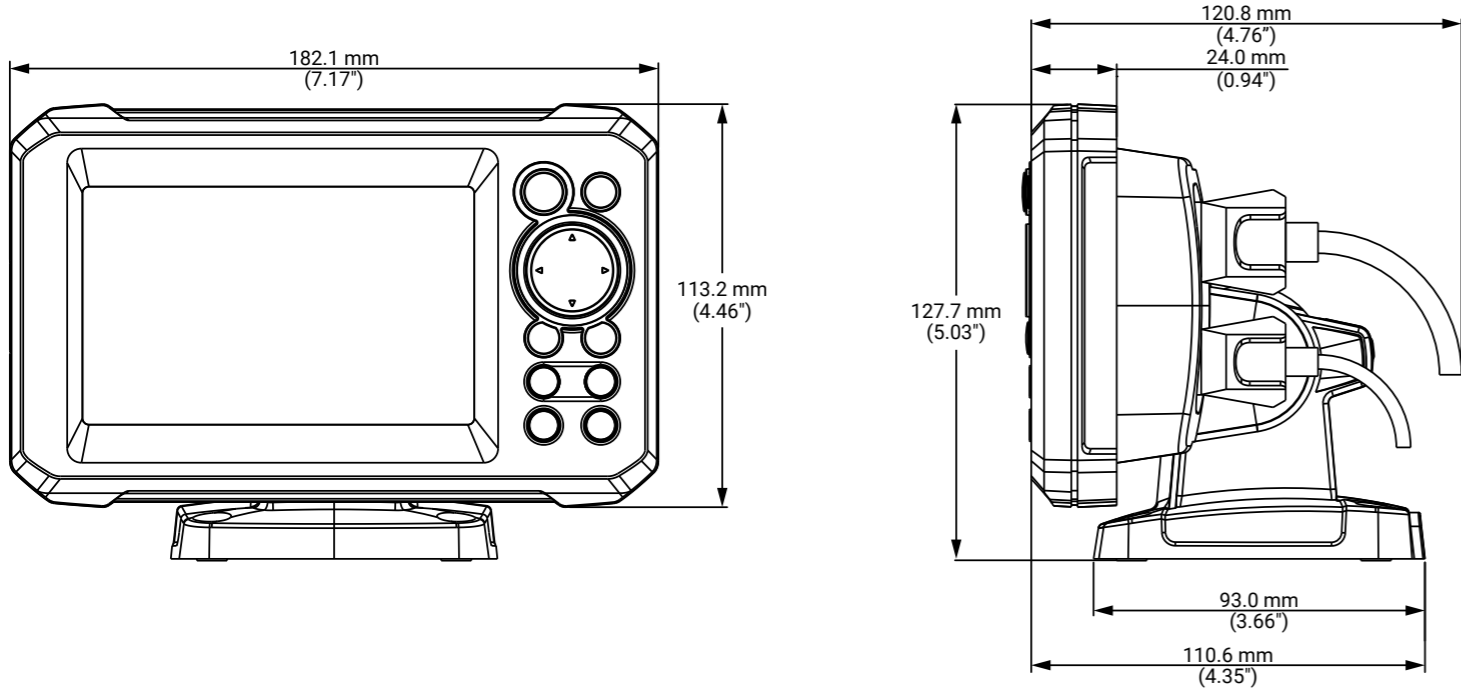


- Note:**
- Connect either a SplitShot or TripleShot transducer.
  - Refer to included transducer installation information.

## Cable lock collar



## Dimensions



Do not resize this mounting template if printing.

Ändern Sie beim Ausdrucken nicht die Größe dieser Montagevorlage.

No cambie el tamaño de esta plantilla de montaje si va a imprimirla.

Älä muuta kiinnitysmallin kokoa tulostettaessa.

Ne redimensionnez pas ce gabarit en cas d'impression.

Non cambiare le dimensioni della dima di montaggio nel caso si decida di stamparla.

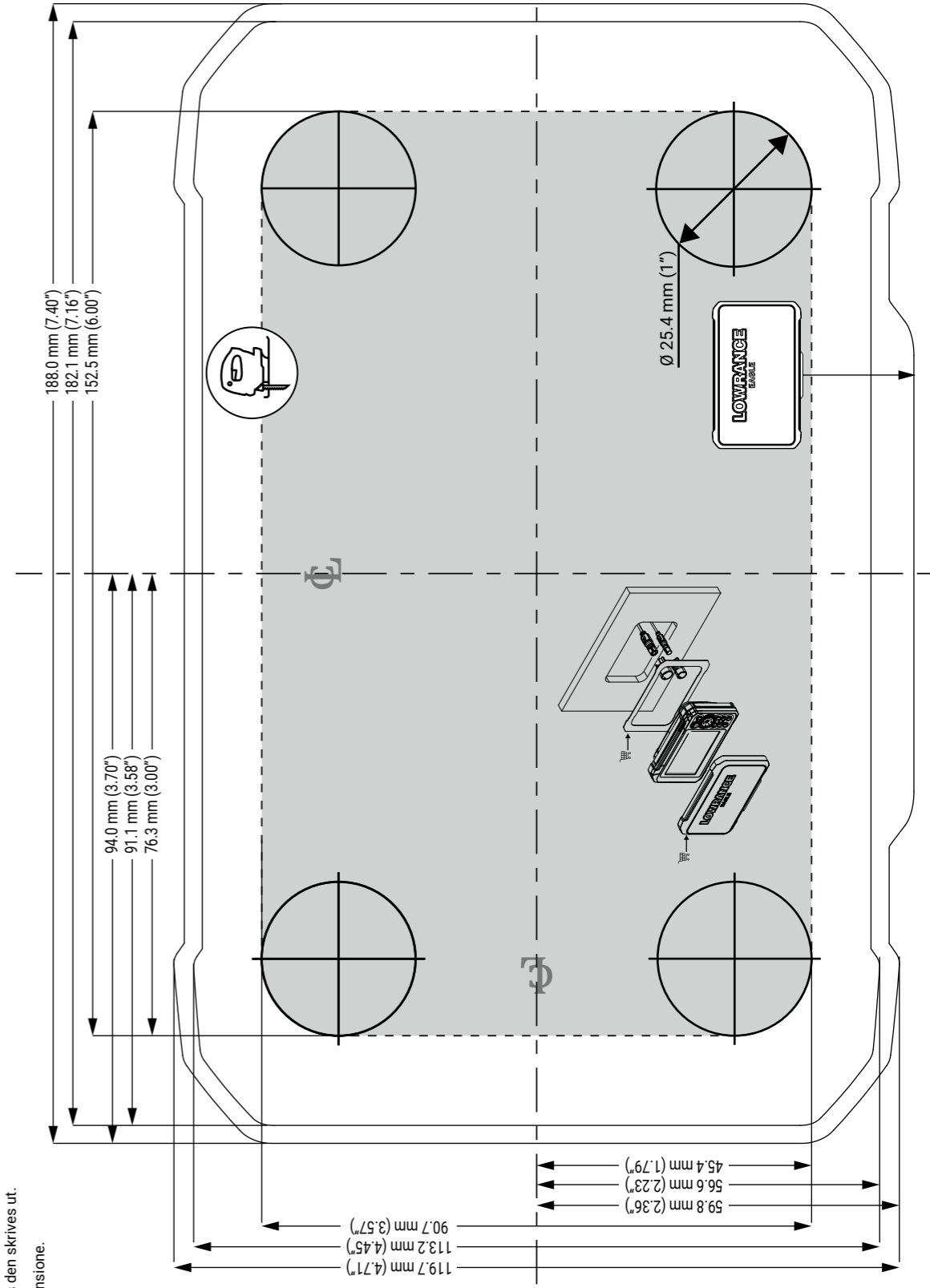
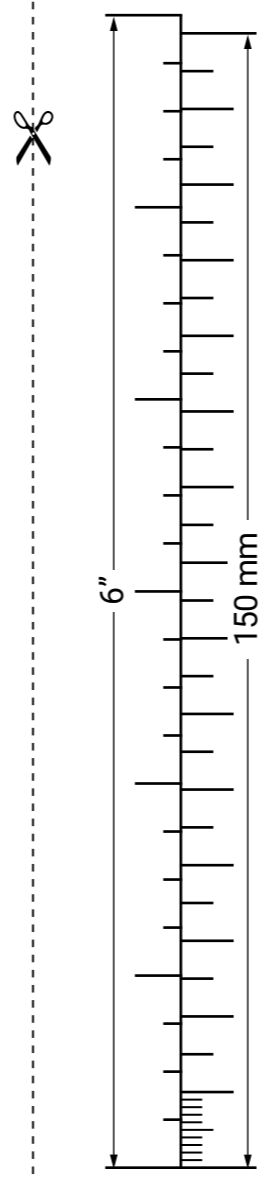
Pas het formaat van deze montagesjabloon niet aan als u hem afdrukt.

Ikke endre størrelsen på denne monteringsmalen hvis den skrives ut.

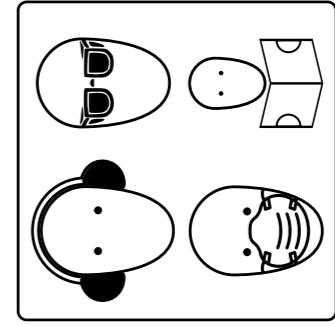
Se imprimir este modelo de montagem, não o redimensione.

Ändra inte storlek på monteringsmallen vid utskrift.

如果打印, 请勿调整此安装模板的大小。



**1:1**  
A3: 420 mm x 297 mm  
(16.54" x 11.69")



\* Suncover sold separately  
Capot de protection d'écran vendu séparément  
SKU: 000-16249-001

\* Dash gasket sold separately  
Joint de tableau de bord vendu séparément  
SKU: 000-16253-001  
[www.lowrance.com/dealer-locator](http://www.lowrance.com/dealer-locator)

Maximum curve of the dash  
Courbe maximale du tiret  
0.5 mm (0.02")