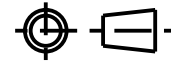


THIRD ANGLE PROJECTION



DOCUMENT REVISIONS

REV	DESCRIPTION	CO NO.	DATE	CHG/CHK
1	INITIAL RELEASE	--	--	--

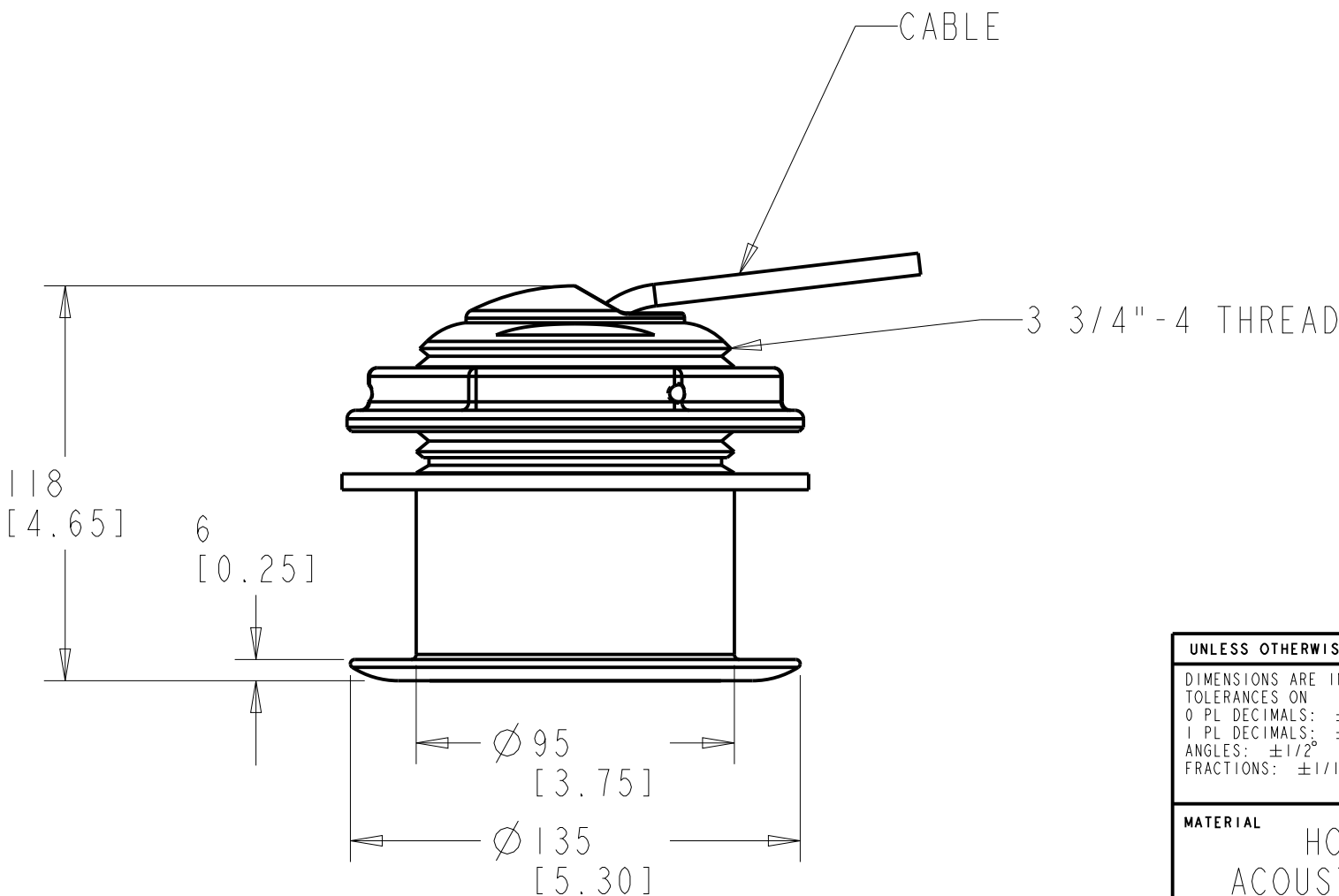
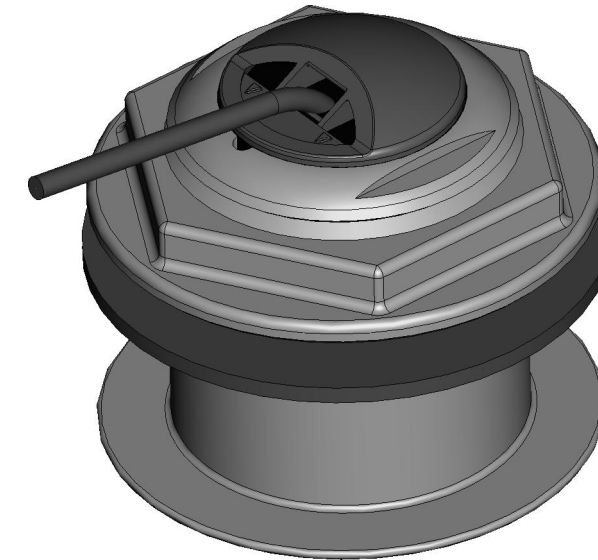
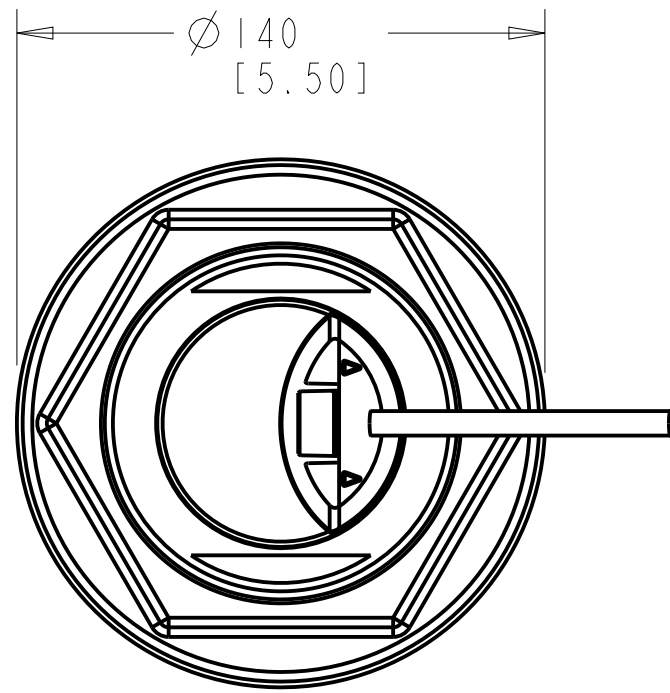


TABLE	
MODEL	HOUSING
B164	BRONZE
B175	BRONZE
SS164	STAINLESS STEEL
SS175	STAINLESS STEEL
SS264N	STAINLESS STEEL

PART NUMBER	N/A	P/N REV	
-------------	-----	---------	--

UNLESS OTHERWISE SPECIFIED	SIGNATURE	DATE
DIMENSIONS ARE IN MILLIMETERS TOLERANCES ON 0 PL DECIMALS: ±2 1 PL DECIMALS: ±0.5 ANGLES: ±1/2° FRACTIONS: ±1/16	DRAWN: D.SPALDING	05/22/18
	CHECKED: B.THOMPSON	07/20/18

AIRMAR AIRMAR TECHNOLOGY CORPORATION
35 MEADOWBROOK DR
MILFORD NH 03055-4613 USA
TEL: 603-673-9570 FAX: 603-673-4624

MATERIAL HOUSING: SEE TABLE
ACOUSTIC WINDOW: URETHANE

TITLE B164, B175, SS164, SS175, SS264, OUTLINE DRAWING			
SIZE B	SCALE: 1/2 SHEET 1 OF 1	DOC NUMBER D-14044	DOC REV 1

THIS DOCUMENT AND THE DATA DISCLOSED HEREIN OR HERewith IS NOT TO BE REPRODUCED, USED, OR DISCLOSED IN WHOLE OR IN PART TO ANYONE WITHOUT THE PERMISSION OF AIRMAR