

LOWRANCE

SIMRAD

Active Imaging™ transducers:

- **Active Imaging 3-IN-1**
- **Active Imaging SideScan**

Installation manual

ENGLISH

1

Preface

⚠ Warning: It is your sole responsibility to install and use the instrument and transducer(s) in a manner that will not cause accidents, personal injury or property damage. Always observe safe boating practices.

Sonar performance: The accuracy of the sonar depth display can be affected by many factors, including the type and location of the transducer and water conditions. Never use this instrument to gauge depth or other conditions for swimming or diving.

The choice, location, and installation of transducers and other components of the system are critical to the performance of the system as intended. If in doubt, consult your Navico dealer.

To reduce the risk of misusing or misinterpreting this instrument, you must read and understand all aspects of the Installation and Operation manuals. We also recommend that you practice all operations using the built-in simulator before using this instrument on the water.

Disclaimer: Navico Holding AS and its subsidiaries, branches and affiliates disclaim all liability for any use of this product in a way that may cause accidents, damage or that may violate the law.

Compliance Statements: The transducers comply with:

- CE under EMC Directive 2014/30/EU
- The requirements of level 2 devices of the Radio communications (Electromagnetic Compatibility) standard 2017

⚠ Warning: The user is cautioned that any changes or modifications not expressly approved by the party responsible for compliance could void the user's authority to operate the equipment.

The relevant Declaration of Conformity is available at the following websites under the product's section:

- <http://www.lowrance.com/>
- <http://www.simrad-yachting.com/>

Trademarks: Lowrance® and Navico® are registered trademarks of Navico. Simrad® is used by license from Kongsberg.

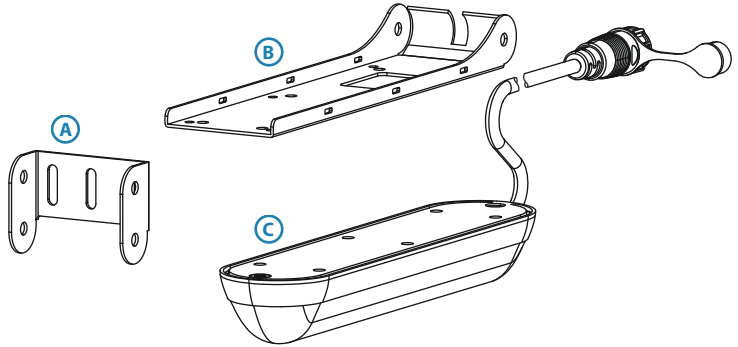
Navico products and features referenced: SideScan™ (SideScan), DownScan Imaging™ (DownScan), DownScan Overlay™ (DownScan Overlay), FishReveal™ (FishReveal), and Active Imaging™ (Active Imaging).

Copyright: Copyright © 2018 Navico Holding AS.








2

Parts included

The transom mounting bracket assembly parts and a hardware mounting kit are included with the transducers. The transducer has a cable attached with a 9 pin connector.



- A** Transom mount plate
- B** Transducer bracket mount plate
- C** Transducer with cable attached

Hardware mounting kit (included)	
	Transom mount screws #10x1-1/4" (2)
	#10 flat washers for transom mount screws (2)
	Bracket assembly bolt, M6 flanged head (2)
	Bracket assembly flanged nut M6 (2)
	Transducer attachment screws M4 (6)
	Transducer attachment lock washers M4 (6)
	Cable ties (2), used to secure the cable as needed

Required tools and supplies (not included)

Drill	Phillips (cross-head) screwdriver
Drill bits	Marine high-grade above- or below-waterline sealant/adhesive compound

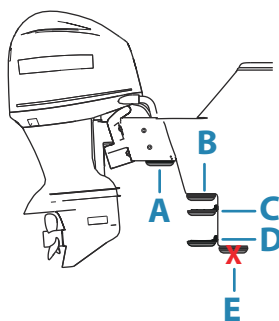
3

Installation

Mounting options

The transducer can be mounted on the transom, jackplate, or step. Use the following table to determine which mounting option is best suited to your boat/installation preferences.

- **Note:** When installing, keep the transducer on the protective foam nest where the transducer is placed from factory.
- **Note:** Before drilling any holes, ensure that holes are drilled in a safe position. Ensure you do not drill into tanks, reservoirs, hoses, or cables, etc. and that the holes will not weaken the structure in any way.
- **Note:** When mounting the transducer, make sure there is nothing around the mounting location that could interfere with its sonar beams.
- **Note:** If mounting where the transducer comes out of the water, for example when the boat is on plane, the sonar will not work while the transducer is out of the water.



- A** Jackplate mount (Transom bracket)
- B** Direct Step mount (Flush bracket)
Requires separately sold Skimmer Flush mount kit (part no. 000-12602-001)
- C** Step mount (Transom bracket)
- D** Transom mount (Transom bracket)

- E** Do not mount the transducer under the hull or so that it hangs down under the hull. The transducer is better protected when mounted above the bottom of the hull. There is less chance of damage from obstructions in the water, or when trailering and launching the boat.

Transducer mounting options	
<p>Transom mount (Transom bracket) Refer to <i>"Transom mount"</i> on page 10</p>	<ul style="list-style-type: none"> Keeps transducer in the water when the boat is on plane, allowing you to track bottom at high speeds Transducer angle can be adjusted so it is parallel with the water Transducer more likely to collide with obstructions in the water and adds drag to the boat
<p>Step mount (Transom bracket) Refer to <i>"Step mount using the transom bracket"</i> on page 12.</p>	<ul style="list-style-type: none"> Transducer is not in the water when boat is on plane; protects transducer and prevents drag from transducer Transducer angle can be adjusted so it is parallel with the water Sonar does not track bottom when transducer comes out of the water
<p><i>"Jackplate mount using the transom bracket"</i> on page 15</p>	<ul style="list-style-type: none"> Transducer is not in the water when boat is on plane; protects transducer and prevents drag from transducer Transducer angle can be adjusted so it is parallel with the water Allows you to mount transducer without drilling holes in your boat Sonar does not track bottom when transducer comes out of the water

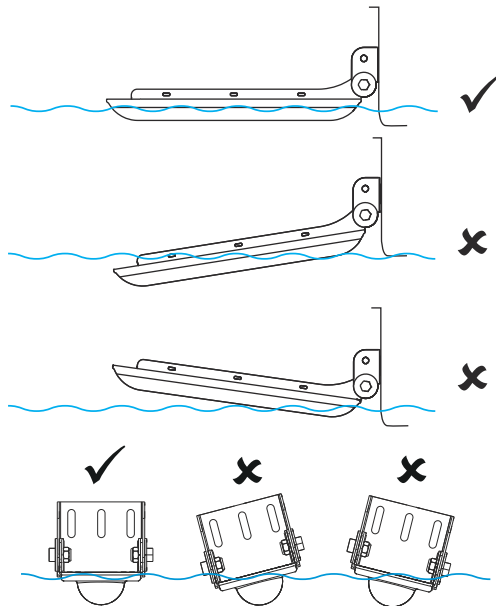
Transducer mounting options

"Direct Step mount (Flush bracket)" on page 13
Requires separately sold Skimmer Flush mount kit (part no. 000-12602-001)

- Transducer is not in the water when boat is on plane; protects transducer and prevents drag from transducer
- Transducer angle cannot be adjusted so it is parallel with the water
- Sonar does not track bottom when transducer comes out of the water

Transducer angle

After mounting the transducer, make sure the transducer is adjusted so it will be parallel with the waterline in both the horizontal and vertical axis when moving at trolling speed.

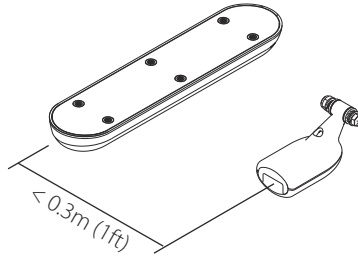


DownScan Overlay and FishReveal

The transducer should be installed within approximately 0.3 m (1 ft) of the broadband sounder transducer to get optimum performance from the DownScan Overlay and the FishReveal features. These

features' performance could be degraded if the transducer is too far away from the broadband sounder transducer.

→ **Note:** The Active Imaging 3-IN-1 transducer includes a broadband sounder. As a result, the DownScan Overlay and FishReveal broadband images work perfectly every time since the images come from the same place.



Transom and step mount (Transom bracket)

The transducer can be mounted to the transom or step with the transom bracket. With these mounting options the transducer can be in the water when you are on plane, or can be mounted so it is only in the water when you are moving at trolling speed.

Transom and Step mount (fiberglass) supplies (not included)

3 mm (1/8") Drill bit (Transom mount pilot holes)

Marine high-grade above- or below-waterline sealant/ adhesive compound

Transom mount (aluminum hull) supplies (not included)

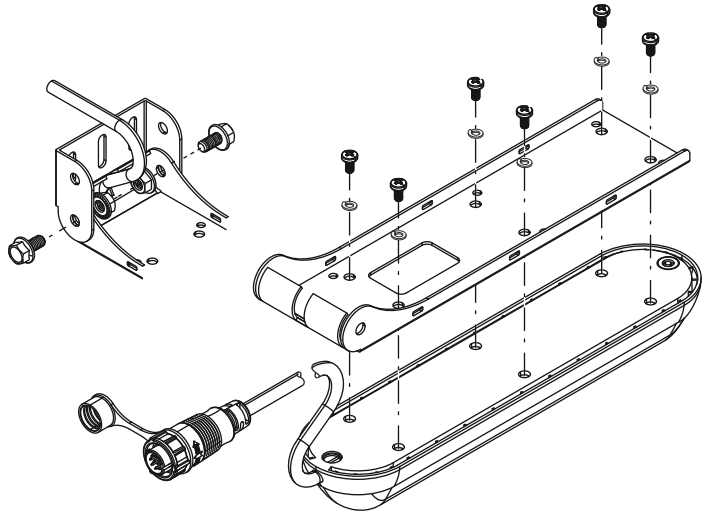
M4 Machine Screws

Marine high-grade above- or below-waterline sealant/ adhesive compound

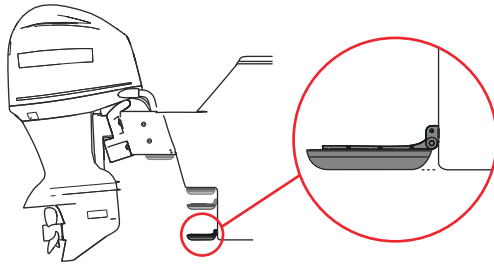
Plastic isolating material such as King Starboard (prevents corrosion between bracket and aluminum hull)

Transom mount bracket assembly

→ **Note:** Ensure the cable has been threaded through the bracket before running the cable through the boat.



Transom mount



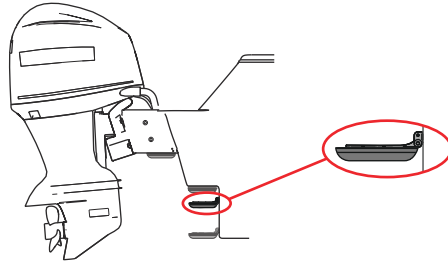
The transducer can be mounted on a transom bracket. With this mounting option the transducer can be in the water when you are on plane, or can be mounted so it is only in the water when you are moving at trolling speed.

→ **Note:** Sonar does not track bottom when the transducer is out of the water.

1. Attach the transducer to the bracket mount plate using the 6 M4 attachment screws and M4 lock washers.
2. Loosely attach the transducer bracket mount plate to the transom mount plate using M6 screws and nuts. Be careful to run the cable between the bracket mount plate and the transom mount plate before inserting the screws.
3. Choose a transducer location.
4. Place the bracket against the transom and then align the bottom of the transducer with the bottom of boat. Use a pencil to mark the pilot holes through the slots in the transom mount plate.
5. Drill the pilot holes into the boat's transom.
6. Apply a marine high-grade above- or below-waterline sealant/adhesive compound to the pilot holes.
7. Align the transom mount plate screw slots over the pilot holes and fasten the bracket to the transom using the supplied screws.
8. To make adjustments to transducer position, loosen the screws and slide bracket up or down.
9. Set the angle of the transducer, and tighten the M6 screws that attach the transducer bracket mount plate to the transom mount plate.
10. Route the transducer cable to the location where the display or sonar module is installed.
11. Connect the transducer cable to the sonar port on the display or sonar module.

After the transducer is connected and your boat is in the water, ensure what is shown on the left and right side on your display corresponds with what is on the left and right side of your boat. If they are showing the opposite sides of what they should, turn on the Flip Left/Right feature in your display unit to correct it. Refer to your display unit's Operation manual for more information.

Step mount using the transom bracket



The transducer can be mounted on a transom bracket. With this mounting option the transducer can be in the water when you are on plane, or can be mounted so it is only in the water when you are moving at trolling speed.

→ **Note:** Sonar does not track bottom when the transducer is out of the water.

1. Attach the transducer to the bracket mount plate using the 6 M4 attachment screws and M4 lock washers.
2. Loosely attach the transducer bracket mount plate to the transom mount plate using M6 screws and nuts. Be careful to run the cable between the bracket mount plate and the transom mount plate before inserting the screws.
3. Choose a transducer location.
4. Move the transducer bracket into the desired position and then use a pencil to mark the pilot holes through the slots in the transom mount plate.
5. Drill the pilot holes.
6. Apply a marine high-grade above- or below-waterline sealant/adhesive compound to the pilot holes.
7. Align the transom mount plate screw slots over the pilot holes and fasten the bracket to the transom using the supplied screws.
8. To make adjustments to transducer position, loosen the screws and slide bracket up or down.
9. Set the angle of the transducer and tighten the M6 screws that attach the transducer bracket mount plate to the transom mount plate.
10. Route the transducer cables through the bracket to the location where the display or sonar module is installed.

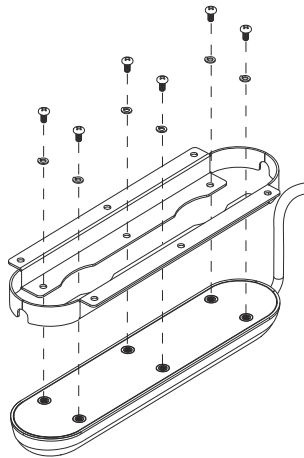
11. Connect the transducer cable to the sonar port on the display or sonar module.

After the transducer is connected and your boat is in the water, ensure what is shown on the left and right side on your display corresponds with what is on the left and right side of your boat. If they are showing opposite of what they should, turn on the Flip Left/Right feature in your display unit to correct it. Refer to your display unit's Operation manual for more information.

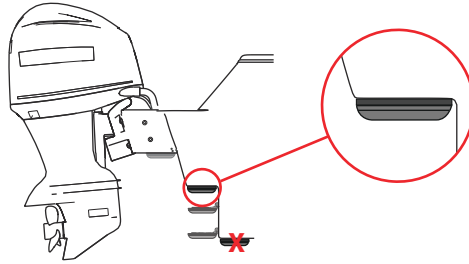
Direct Step mount (Flush bracket)

Flush mount bracket assembly

To mount the transducer directly to the step (Direct Step mount), use the flush mount bracket (sold separately, part no. 000-12602-001).



Direct step mount installation



→ **Note:** Do not install the transducer under the hull.

You can mount the transducer in either direction; with the cable coming out towards or away from the transom when installing with the direct step (Flush bracket) mount. However, after the transducer is connected and your boat is in the water, you need to check what is shown on the left and right side on your display corresponds with what is on the left and right side of your boat. If they are showing opposite of what they should, turn on the Flip Left/Right feature in your display unit to correct it. Refer to your display unit's Operation manual for more information.

→ **Note:** Sonar does not track bottom when the transducer is out of the water.

Direct step mount bracket and supplies (not included)

Pilot hole drill bit (Direct Step mount pilot holes for self-tapping metal screws)	Marine high-grade above- or below-waterline sealant/adhesive compound
Maximum 5 mm (#10 or 3/16") self-tapping metal screws	

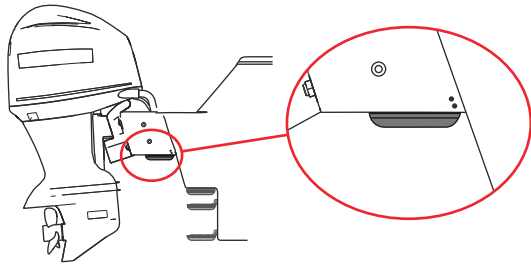
To direct step mount using flush bracket

1. Make sure the boat's step is the same length or longer than the transducer.
2. After selecting a mounting location, route the transducer cable to the location where the display or sonar module is or will be installed.

3. Attach the transducer to the flush bracket using the M4 transducer attachment screws and lock washers.
4. Hold the assembly in the desired position. Use a pencil to mark the pilot holes through the mounting holes on the flush bracket.
5. Drill the pilot holes.
6. Apply a marine high-grade above- or below-waterline sealant/adhesive compound to the pilot holes.
7. Align the flush bracket mounting holes over the pilot holes and mount the flush bracket with the transducer to the step using self-tapping metal screws (not supplied). Do NOT overtighten the screws; otherwise you could strip out the fiberglass pilot holes or crack the mounting holes on the bracket.
8. Connect the transducer cable to the sonar port on the display or sonar module.

After the transducer is connected and your boat is in the water, ensure what is shown on the left and right side on your display corresponds with what is on the left and right side of your boat. If they are showing opposite of what they should, turn on the Flip Left/Right feature in your display unit to correct it. Refer to your display unit's Operation manual for more information.

Jackplate mount using the transom bracket



The transducer transom bracket can be mounted inside or outside of the jackplate by drilling through the jackplate and then running bolts through the hinge hole in the side of the bracket into the jackplate. The illustration above shows the transom bracket mounted inside the jackplate.

→ **Note:** Sonar does not track bottom when the transducer is out of the water.

Jackplate mount supplies (not included)

6 mm (1/4") Drill bit (Jackplate Mount)

M6 (1/4") jackplate mount bolts

⚠ Warning: Before installing the transducer on the jackplate, lower the jackplate to its lowest setting to make sure there is enough clearance between the jackplate, engine, transom, and the transducer. Lack of clearance could damage the transducer when the engine is all the way down.

1. Attach the bracket mount plate to the transducer using the 6 M4 attachment screws and M4 lock washers. Do not attach the transom mount plate to the transducer bracket mount plate at this time.
2. Choose a transducer location on the inside or outside of the jackplate.
3. Adjust the jackplate up and down to make sure the transducer will not obstruct jackplate movement.
4. Make sure nothing blocks the sonar beam on either side of the transducer.
5. Move the transom mount plate into the desired position and use a pencil to mark the holes through the hinge hole and the top hole in the side of the bracket.
6. Using a 6 mm or equivalent drill bit, drill the holes into the jackplate.
7. Depending where you want to mount it on the jackplate, slide the transom mount plate inside the jackplate or hold it on the outside of the jackplate and align the bracket holes with holes you drilled in the jackplate.
8. Slide the M6 bolt into the top hole on the side of the jackplate and the top hole of the transom mount plate.
9. Attach the M6 nut to the end of the bolt and tighten the nut.
10. Route the cable between the bracket mount plate (holding the transducer) and the transom mount plate.
11. Hold the transducer mount plate (which is attached to the transducer) so the bottom transom mount plate holes, the hinge holes of the bracket mount plate (holding the transducer), and the bottom holes you drilled in the jackplate are aligned. Be

careful that the cable is properly routed between the transom mount plate and the transducer mount plate.

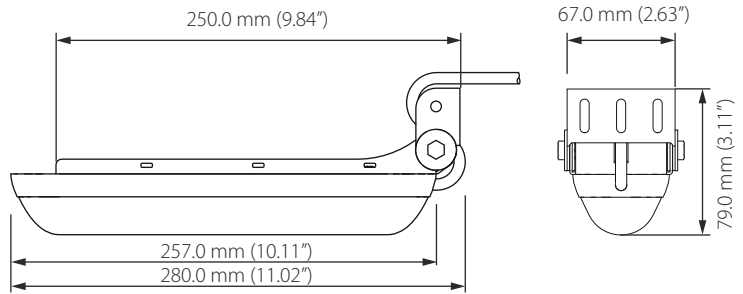
- 12.** Slide the second M6 bolt into the bottom hole you drilled on the side of the jackplate, the transducer mount plate holes and the transom mount plate holes.
- 13.** Attach the M6 nut to the end of the bolt and tighten the nut.
- 14.** Route the transducer cable to the location where the display or sonar module is installed.
- 15.** Connect the transducer cable to the sonar port on the display or sonar module.

After the transducer is connected and your boat is in the water, ensure what is shown on the left and right side on your display corresponds with what is on the left and right side of your boat. If they are showing opposite of what they should, turn on the Flip Left/Right feature in your display unit to correct it. Refer to your display unit's Operation manual for more information.

4

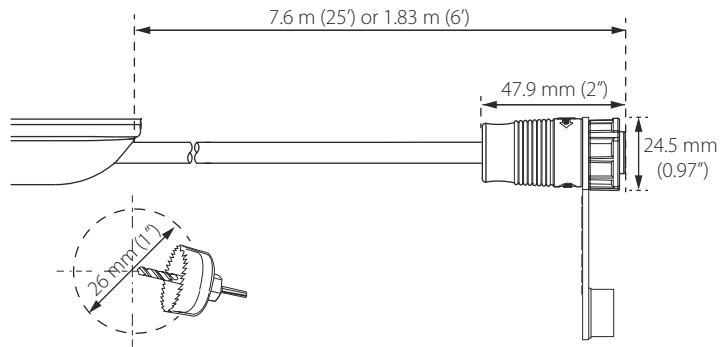
Dimensions

Transducer and transom mount bracket



Active Imaging SideScan and Active Imaging 3-IN-1 transducer cables

→ **Note:** The transducers come with either a 7.6 m (25 ft) cable or a 1.83 m (6 ft) cable attached.



A 26 mm (1") diameter hole is recommended for cable connector clearance.

5

Parts and accessories

The most up-to-date parts and accessories are available at:
www.simrad-yachting.com or www.lowrance.com.

Active Imaging 3-IN-1 transducer (000-14489-001)

Includes the transducer with cable, transom mounting bracket assembly and mounting screws, washers, and nuts.

Active Imaging SideScan transducer (000-14490-001)

Includes the transducer with cable, transom mounting assembly and mounting screws, washers, and nuts.

Transom mount kit (000-12603-001)

Includes the transom mounting bracket assembly and mounting screws, washers, and nuts.

Flush mount kit (000-12602-001)

Includes a 2 piece Flush mount mounting bracket. Use mounting hardware supplied with the transducer.

10-FT 9-Pin Transducer Extension cable (000-00099-006)

6

Technical specifications

Active Imaging 3-in-1 transducer

Environmental	
Operating temperature	-15°C to +55°C (+5°F to +131°F)
Storage temperature	-30°C to +70°C (-22°F to +158°F)
Physical	
Dimensions	See " <i>Dimensions</i> " on page 18
Cable length	7.6 m (25 ft) or 1.8 m (6 ft)
Mounting options	Transom, flush step, and jackplate mounting
Number of pins	9 pins
Transducer	
Output	Traditional, SideScan imaging, DownScan imaging and temperature
Frequency	<ul style="list-style-type: none">• Traditional: 200 kHz/High Chirp, 83 kHz/Medium Chirp• SideScan: 455 kHz, 800 kHz
Max depth	<ul style="list-style-type: none">• Traditional: 305 m (1000 ft) at 200 kHz/High Chirp and 83 kHz/Medium Chirp• DownScan: 91 m (300 ft)• SideScan: 91 m (300 ft) side range at 455 kHz, 46 m (150 ft) side range at 800 kHz
Operating speed	<ul style="list-style-type: none">• Traditional: 48 knots (55 mph)• DownScan and SideScan: 9 knots (10 mph)

Active Imaging SideScan transducer

Environmental	
Operating temperature	-15°C to +55°C (+5°F to +131°F)
Storage temperature	-30°C to +70°C (-22°F to +158°F)
Physical	
Dimensions	See " <i>Dimensions</i> " on page 18
Cable length	7.6 m (25 ft) or 1.8 m (6 ft)
Mounting options	Transom, flush step, and jackplate mounting
Number of pins	9 pins
Transducer	
Output	SideScan imaging, DownScan imaging and temperature
Frequency	455 kHz and 800 kHz
Max depth	<ul style="list-style-type: none"> • DownScan: 91 m (300 ft) • SideScan: 91 m (300 ft) side range at 455 kHz, 46 m (150 ft) side range at 800 kHz
Operating speed	DownScan and SideScan: 9 knots (10 mph)

7

Troubleshooting tips

Troubleshooting tips	
Transducer data not displayed	<ul style="list-style-type: none">• Check unit software is compatible• Check transducer cable is connected to display unit or sonar module (and it is connected to the display unit)• Check sonar is enabled in display unit, refer to display unit Operator manual• Check transducer is submerged in the water
No depth	Check range or turn on auto range
Data washed out / same color	Turn down contrast; try different palettes
Left/right data swapped on screen	Toggle the Flip Left/Right feature
No source is displayed	<ul style="list-style-type: none">• Make sure all switches are powered• Ensure the sonar is enabled in display unit, refer to display unit Operator manual• Check transducer cable is connected to display unit



LOWRANCE

SIMRAD

www.lowrance.com
www.simrad-yachting.com