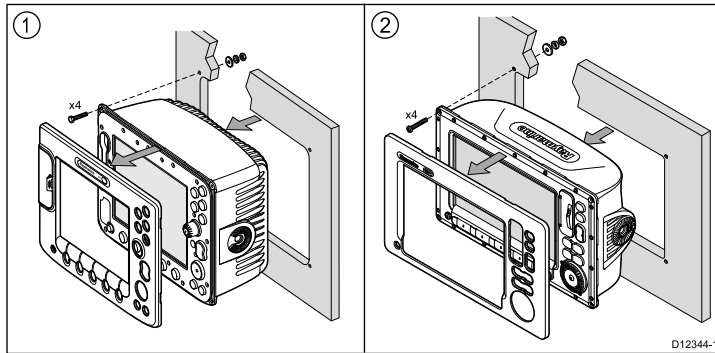


Removing the old multifunction display

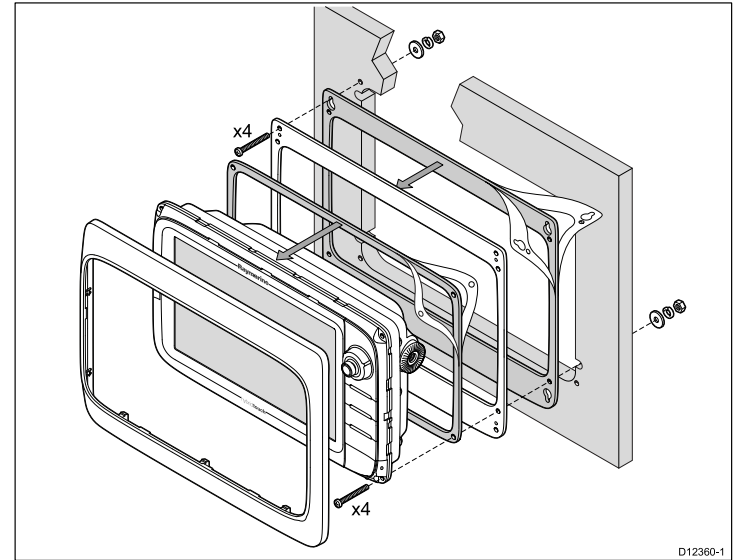
To remove your existing display follow the steps below:



1	Removing a Classic E120 / C120
2	Removing a Widescreen E120W / C120W

1. Remove the front bezel from the existing multifunction display.
2. Undo the 4 securing fasteners and retain.
3. Remove the display and disconnect the old cables.
4. Replace any old cables with new cables supplied with your new multifunction display as required, in accordance with the documentation supplied with your new multifunction display.

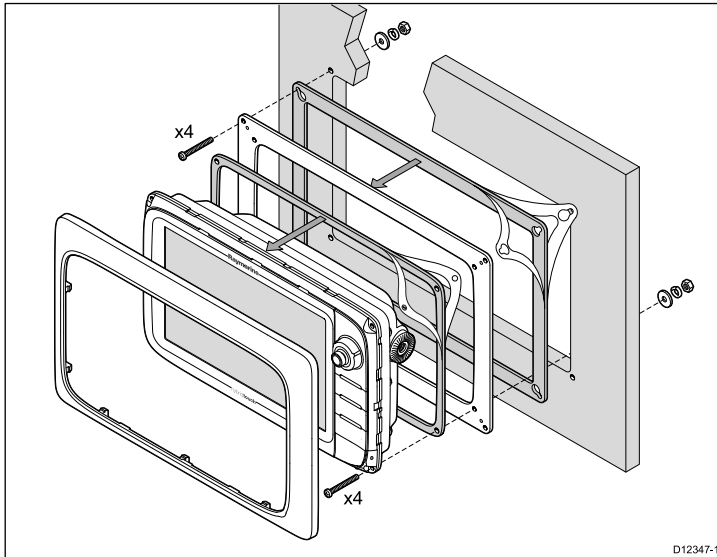
Fitting the Classic adaptor plate and e12 / c12 display



1. Prepare the mounting surface as per the E120 / C120 Classic to e12 / c12 adaptor mounting template — 87161 (supplied with the adaptor kit).
2. Peel off the protective layers of the adaptor gasket and affix to the back of the adaptor plate.
3. Peel off the protective layers of the gasket, supplied with your multifunction display and affix to the back of the unit.
4. Attach the adaptor plate to the new unit using the fasteners removed from the old unit.
5. Connect new cables, fit the unit and adaptor plate and secure using provided fasteners.

6. Attach the new front bezel supplied with the adaptor kit, in accordance with the front bezel fitting instructions contained within the documentation supplied with your new multifunction display.

Fitting the Widescreen adaptor plate and e12 / c12 display



1. Peel off the protective layers of the adaptor gasket and affix to the back of the adaptor plate.
2. Attach the adaptor plate to the mounting surface using the existing fasteners removed from the old unit and the existing mounting holes.
3. Peel off the protective layers of the gasket, supplied with your new multifunction display and affix to the back of the unit.
4. Connect new cables, fit the unit over the adaptor plate and secure using fasteners provided.
5. Attach the new front bezel supplied with the adaptor kit, in accordance with the front bezel fitting instructions contained within the documentation supplied with your new multifunction display.